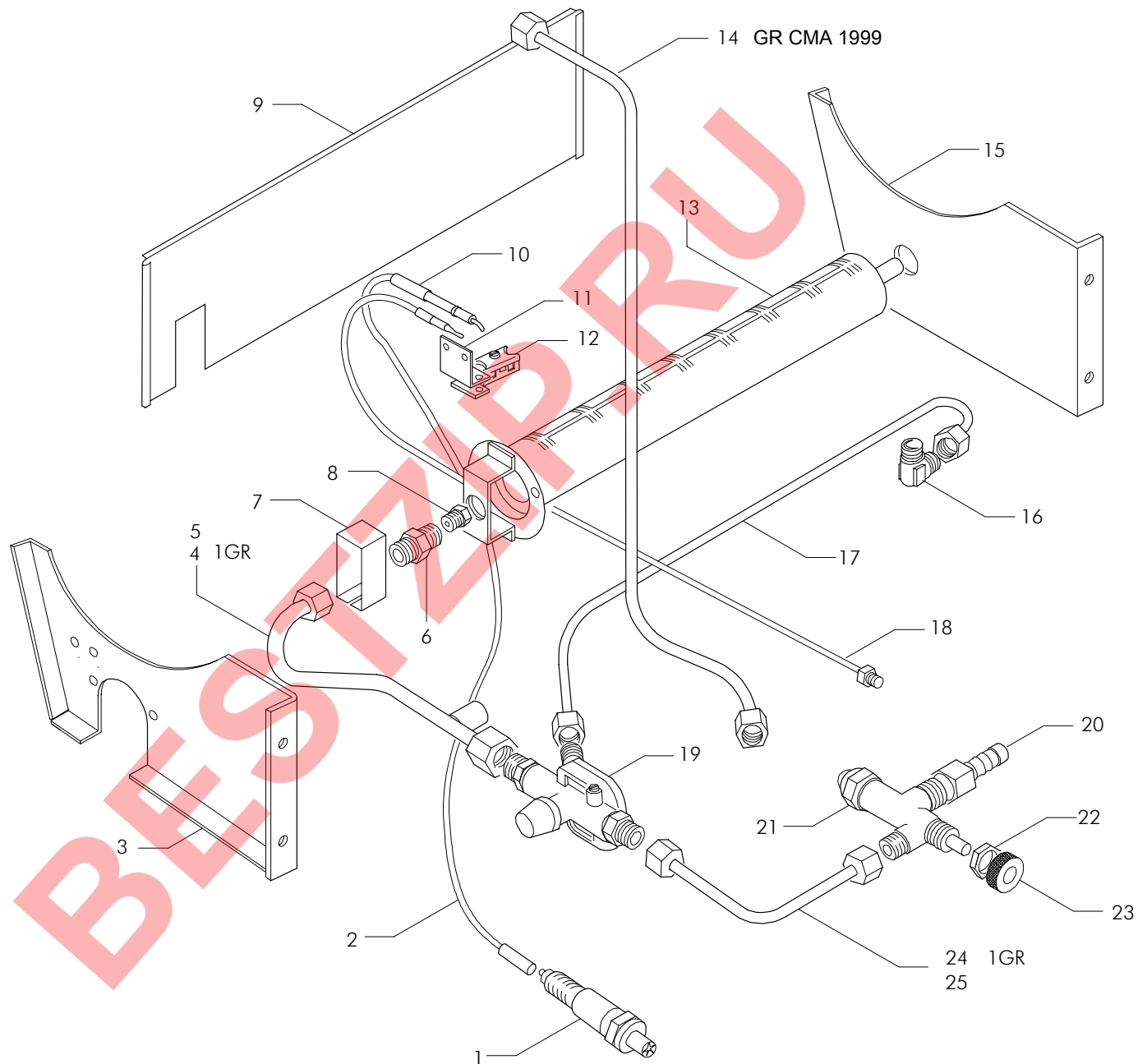
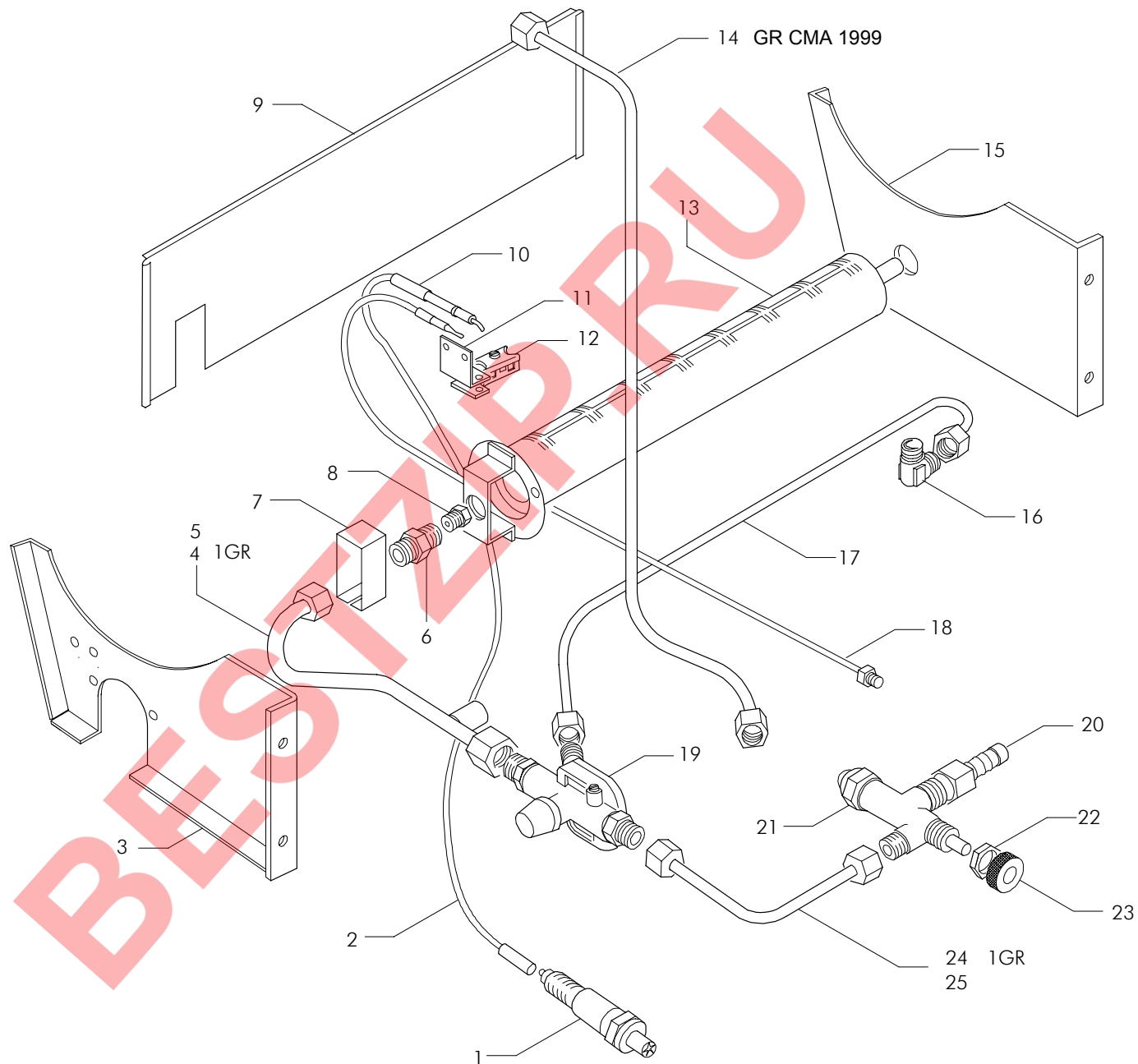


| Pos | Cod. | Denominazione - IT - | Denomination - GB - | Denomination - FR - | Denomination - DE - |
|-----|-----------|---|------------------------------------|---|--|
| 1 | 83260006R | KIT ADD. MULTI HEAD 1GR 120V | MULTI HEAD SOFTENER KIT 1GR 120V | KIT ADOUCI SSEUR MULTI HEAD 1GR 120V | ELEKT. ENTKAELKER MULTI HEAD 1GR 120V |
| 2 | 83260007R | KIT ADD. MULTI HEAD 1GR 230V | MULTI HEAD SOFTENER KIT 1GR 230V | KIT ADOUCI SSEUR MULTI HEAD 1GR 230V | ELEKT. ENTKAELKER MULTI HEAD 1GR 230V |
| 3 | 83260008R | KIT ADD. MULTI HEAD 2-4GR 120V | MULTI HEAD SOFTENER KIT 2-4GR 120V | KIT ADOUCI SSEUR MULTI HEAD 2-4GR 120V | ELEK. ENTKAELKER MULTI HEAD 2-4GR 120V |
| 4 | 83260009R | KIT ADD. MULTI HEAD 2-4GR 230V | MULTI HEAD SOFTENER KIT 2-4GR 230V | KIT ADOUCI SSEUR MULTI HEAD 2-4GR 230V | ELEKT. ENTKAELKER MULTI HEAD 2-4GR. 230V |
| 5 | 26038004 | TESTA FERRI TE MULTI HEAD | FERRI TE RING MULTI HEAD | ANNEAU EN FERRI TE MULTI HEAD | FERRI TRI NG MULTI HEAD |
| 6 | 26037 | ADDOLC. AUT. CABI N. LT 8 DM 01 3/8" | AUTOMATI C WATER SOFTENER LT. 8 | ADOU CI SSEUR AUTOMATI QUE LT. 8 | AUTOMATI SCHE ENTHARTER DVA LT. 8 |
| 7 | 28072 | FONDELLO ADDOLCI TORE | SOFTENER PLASTI C LOWER BASE | CULOT ADOUCI SSEUR | BODEN ENTKALKER |
| 8 | 28284 | RUBI NETTO PER ADDOLCI TORE | TAP FOR SOFTENER | ROBI NET POUR ADOUCI SSEUR | HAHN FÜR ENTHÄRTER |
| 9 | 28203 | MANOPOLA ROSSA RUBI NETTO ADDOLCI T. | RED HANDLE X WATER SOFTENER TAP | POI GNEE ROUGE X ROBI NET ADOUCI SSEUR | ROTER HANDGRI FF X ENTKALKERHAHN |
| 10 | 12300 | GUARNI ZI ONE OR 113 NBR/70 | O RI NG GASKET 113 NBR/70 | JOI NT OR 113 NBR/70 | OR-DI CHTUNG 113 NBR/70 |
| 11 | 10320500 | GI GLER OT X ADOLCI TORE M6 FORO D-0. 8 R13 | SOFTENER LOWER TAP GI GLEUR | GI CLEUR LAI TON POUR ADOUCI SSEUR M6 X D-0 | VERMESSI NGTE ENTKALKER M6 D-0, 8 |
| 12 | 28071 | CORPO TAPPO + TI RANTEXADDOLCI T. C11 | CAP + TI E ROD FOR SOFTENER | BOUCHON ADOUCI SSEUR | ENTKALKERSTOPFEN |
| 13 | 12410 | GUARNI ZI ONE X TAPPO ADDOLCI TORE | GASKET X WATER SOFTENER CAP | JOI NT X BOUCHON ADOUCI SSEUR | DI CHTUNG X ENTKALKERSTOPFEN |
| 14 | 28324 | STAFFA TAPPO ADDOLCI TORE C12 | BRACKET CAP FOR SOFTENER | MEULE BOUCHON ADOUCI SSEUR | BUGEL ENTKALKER |
| 15 | 28205 | MANOPOLA TAPPO ADDOLCI TORE C9 | SOFTENER TOP PLASTI C KNOB | POI GNEE BOUCHON ADOUCI SSEUR | ENTKALKER HANDGRI FF |
| 16 | 28205001 | TAPPO ADDOLCI TORE COMPLETO C10 | SOFTENER COMLETE TOP LI D | BOUCHON ADOUCI SSEUR | DECKEL FUER ENTKAELKER |
| 17 | 26029 | ADDOLCI TORE DVA LT5 | WATER SOFTENER LT. 5 | ADOU CI SSEUR LT. 5 | ENTKAELKER LT. 5 |
| 18 | 26030 | ADDOLCI TORE DVA LT 8 | DVA 8 LT WATER SOFTENER | ADOU CI SSEUR DVA LT 8 | ENTHÄRTER DVA LT 8 |
| 19 | 26031 | ADDOLCI TORE DVA LT 12 | DVA 12 LT WATER SOFTENER | ADOU CI SSEUR DVA LT 12 | ENTHÄRTER DVA LT 12 |
| 20 | 26032 | ADDOLCI TORE DVA LT 16 | DVA 16 LT WATER SOFTENER | ADOU CI SSEUR DVA LT 16 | ENTHÄRTER DVA LT 16 |
| 21 | 26033 | ADDOLCI TORE DVA LT 8 BY-PASS | WATER SOFTENER DVA LT. 8 BY-PASS | ADOU CI SSEUR DVA LT. 8 BY-PASS | ENTKALKER DVA LT. 8 BY-PASS |
| 22 | 26034 | ADDOLCI TORE DVA LT 12 BY-PASS | WATER SOFTENER DVA LT. 12 BY-PASS | ADOU CI SSEUR DVA LT. 12 BY-PASS | ENTHARTER DVA LT. 12 BY-PASS |
| 23 | 26035 | ADDOLCI TORE DVA LT 16 BY-PASS | SOFTNER DVA LT. 16 BY-PASS | ADOU CI SSEUR DVA LT. 16 BY-PASS | ENTHALTER DVA LT. 16 BY-PASS |
| 24 | 28283 | RESI NA PER ADDOLCI TORE | SOFTENER RESI N | RESI NE ADOUCI SSEUR | KUNSTHARZ FÜR ENTKALKER |

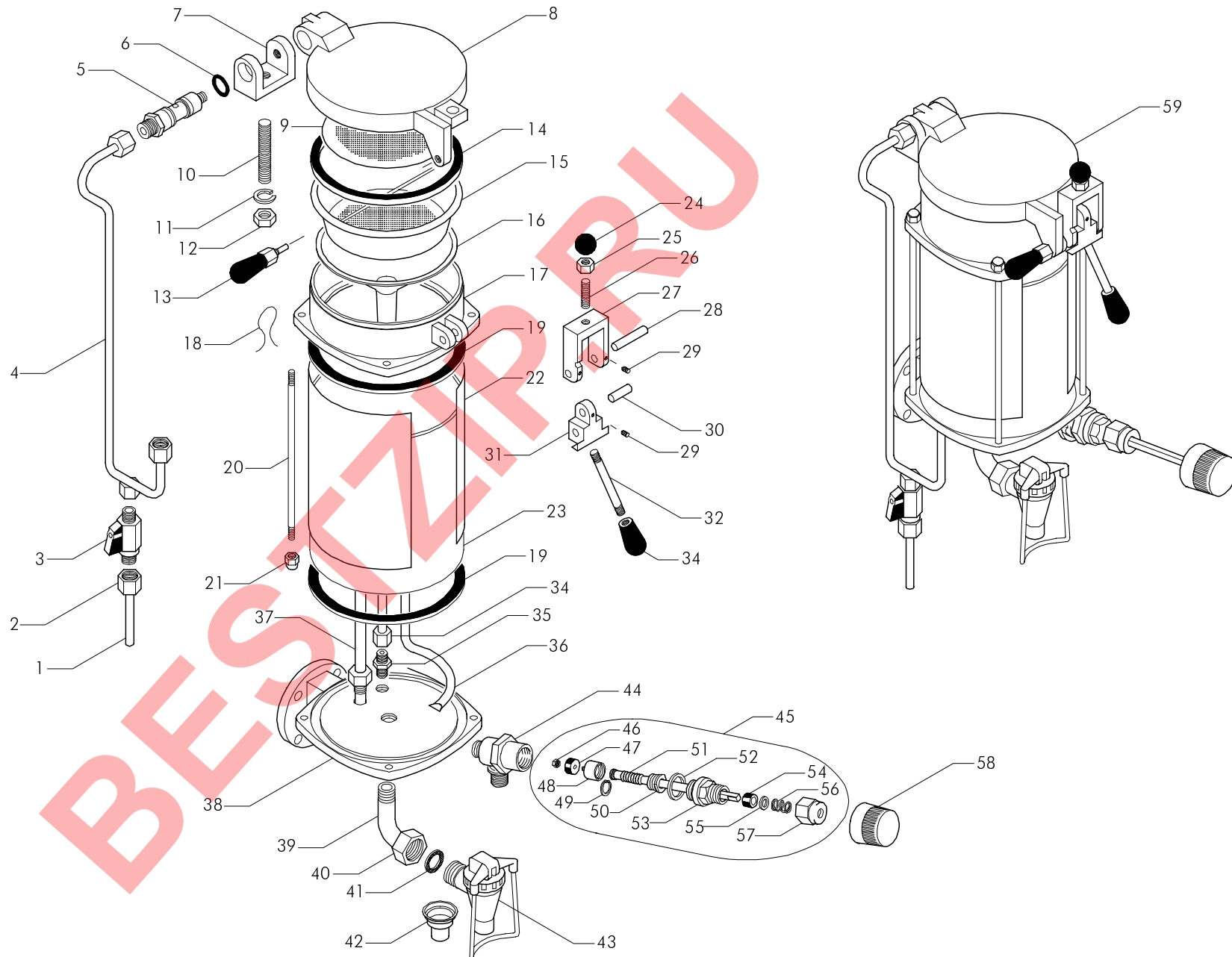


| Pos | Cod. | Denominazione - IT - | Denomination - GB - | Denomination - FR - | Denomination - DE - |
|-----|----------|-------------------------------------|------------------------------------|-----------------------------------|-------------------------------------|
| 1 | 15010 | BLOCCO+COL.AVN M22X1.5 SIT 0073952 | GAS STARTER M22X1.5 SIT 0073952 | BLOC ALLUMAGE GAZ | ZUNDUNGSPERRE GAS AVN M22X1.5 |
| 2 | 22001 | CAVO AL GAS/SIT 0028510 PIEZ | GAS/SIT FEEDING CABLE | CABLE ALIMENTATION GAZ SIT | GAS/SIT SPEISEKABEL 0028510 |
| 3 | 780662 | SUPPORTO SINISTRO GAS POLI 20/10 | LEFT SUPPORT FOR GAS | SUPPORT GAUCHE POUR GAZ | GESTELL GAS LINK |
| 4 | 52001317 | TUB.D-10 L.235 1GR LD 17 REGOLATORE | TUBE D-10 L.235 | TUYAU D-10 L.235 | ROHR D-10 L.235 |
| 5 | 52000223 | TBS.D-10 L.215 DV 24 REGOLATORE | D-10 215 L PIPE DV 24 | TUYAU D-10 L.215 DV 24 | ROHR D-10 L.215 DV 24 |
| 6 | 23220 | RACC.PORTAUGELLO EN 335/MC POLI | NOZZLE-BEARER CONNECTOR EN 335/MC | RACCORD PORTE-GIGLEUR EN 335/MC | FITTING FUR DUSETRAGER 335/MC |
| 7 | 10660 | REGOLATORE ARIA EN/355.2 POLI | AIR REGULATOR EN/355.2 | REGULATEUR AIR EN/355.2 | LUFTREGLER EN/355.2 |
| 8 | 10900 | UGELLO 1GR EM 1.00N METANO | METHANE NOZZLE 1 GR EM 1.00N | GICLEUR 1 GR EM 1.00N METHANE | DUSE 1GR EM 1.00N METHAN |
| 8 | 10901 | UGELLO 1GR EM 0.60N GPL | GPL NOZZLE 1 GR EM 0.60N | GICLEUR 1 GR EM 0.60N G P L | DUSE 1GR EM 0.60N G P L |
| 8 | 10903 | UGELLO 2GR EM 1.10N METANO | METHANE NOZZLE 2GR EM 1.10N | GICLEUR 2 GR EM 1.10N METHANE | DUSE 2GR EM 1.10N METHAN |
| 8 | 10904 | UGELLO 2GR EM 0.65N GPL | GPL NOZZLE 2GR EM 0.65N | GICLEUR 2GR EM 0.65N G P L | DUSE 2GR EM 0.65N G P L |
| 8 | 10906 | UGELLO 3GR EM 1.35N METANO | METHANE NOZZLE 3GR EM 1.35N | GICLEUR 3 GR EM 1.35N METHANE | DUSE 3GR EM 1.35N METHAN |
| 8 | 10907 | UGELLO 3GR EM 0.80N GPL | GPL NOZZLE 3GR EM 0.80N | GICLEUR 3 GR EM 0.80N G P L | DUSE 3GR EM 0.80N G P L |
| 8 | 10909 | UGELLO 4GR EM 1.45N METANO | METHANE NOZZLE 4GR EM 1.45N | GICLEUR 4 GR EM 1.45N METHANE | DUSE 4GR EM 1.45N METHAN |
| 8 | 10910 | UGELLO 4GR EM 0.85N GPL | GPL NOZZLE 4GR EM 0.85N | GICLEUR 4 GR EM 0.85N G P L | DUSE 4GR EM 0.85N G P L |
| 9 | 77410 | PANNELLO COPRICALDAIA 1GR ZN POLI | PANEL BOILER 1GR | PANNEAU COUVRE-CHAUDIERE 1GR | KESSELDECKEL TAFEL 1GR |
| 9 | 77411 | PANNELLO COPRICALDAIA 2GR ZN POLI | PANEL BOILER 2GR | PANNEAU COUVRE-CHAUDIERE 2GR | KESSELDECKEL TAFEL 2GR |
| 9 | 77412 | PANNELLO COPRICALDAIA 3GR ZN POLI | PANEL BOILER 3GR | PANNEAU COUVRE-CHAUDIERE 3GR | KESSELDECKEL TAFEL 3GR |
| 9 | 77413 | PANNELLO COPRICALDAIA 4GR ZN POLI | BOILER-COVER 4GR | PANNEAU COUVRE-CHAUDIERE 4GR | KESSELDECKEL TAFEL 4GR |
| 10 | 20030 | CANDELA M 4 PILOTA 0100 0915036 | PILOT SPARK PLUG M4 0100 GAS | BOUGIE M 4 PILOTE | KERZE M 4 0100 SIC/GAS |
| 11 | 780663 | SUPPORTO TERMOCOPPIA GAS 20/10 | SUPPORT FOR THERMOCOUPLE GAS | SUPPORT POUR THERMOCOUPLE GAZ | GESTELL THERMOELEMENT |
| 12 | 10750 | SUPPORTO TERMOCOPPIA SIT 0978009 | THERMOCOUPLE SIT STAND 0978009 | SUPPORT THERMOCOUPLE SIT 0978009 | THERMOELEMENT HALTER SIT 0978009 |
| 12 | 10751 | SUPPORTO TERMOCOPPIA SIT 0978021 | THERMOCOUPLE SIT STAND 0978021 | SUPPORT THERMOCOUPLE SIT 0978021 | THERMOELEMENT HALTER SIT 0978021 |
| 12 | 23410 | VITE TE UNI 3/16X18 SIC GAS 0953007 | SCREW TE 3/16X18 GAS SAFETY | VIS TE 3/16X18 SURETE GAZ | SCHRAUBE TE UNI 3/16X18 GAS SICHER. |
| 13 | 30010 | BRUCIATORE 1GR 305/12 POLI | 1 GROUP BURNER 305/12 POLES | BRULEUR 1GR 305/12 POLES | BRENNER 1GR 305/12 POLEN |
| 13 | 30011 | BRUCIATORE 2GR 306/12 POLI | 2 GROUPS BURNER 306/12 POLES | BRULEUR 2GR 306/12 POLES | BRENNER 2GR 06/12 POLEN |
| 13 | 30012 | BRUCIATORE 3GR 307/12 POLI | 3-4 GROUPS BURNER 307/12 POLES | BRULEUR 3-4GR 307/12 POLES | BRENNER 3-4GR 307/12 POLEN |
| 13 | 30013 | BRUCIATORE 4GR 102.0211.00 POLI | 4GR BURNER 102.0211.00 POLES | BRULEUR 4GR 102.0211.00 POLES | BRENNER 4GR 102.0211.00 POLEN |
| 14 | 52000346 | TUB.D-6 L.390 DV 25 REGOLATORE | D-6 390 L PIPE DV 25 | TUYAU D-6 L.390 DV 25 | ROHR D-6 L.390 DV 25 |
| 15 | 780661 | SUPPORTO DESTRO GAS POLI 20/10 | RIGHT SUPPORT FOR GAS | SUPPORT DROIT POUR GAZ | GESTELL GAS RECHT |
| 16 | 23203 | RACCORDO OTT.GOM.D6.2 1/4X1/4 CON | ELBOW BRASS CONNECTOR D6.2 1/4X1/4 | RACCORD COUDE LAITON D6.2 1/4X1/4 | MESSING-ANSCHLUSS D6.2 1/4X1/4 |
| 17 | 52000176 | TUB.D-6 L.345 A 26 REGOLATORE | TUBE D-6 L.345 | TUYAU D-6 L.345 | ROHR D-6 L.345 |
| 17 | 52001446 | TUB.D-6 L.570 2GR GAS AR 69 | TUBE D-6 L.570 | TUYAU D-6 L.570 | ROHR D-6 L.570 |
| 17 | 52001460 | TUB.D-6 L.810 3GR GAS AR 81 | TUBE D-6 L.810 | TUYAU D-6 L.810 | ROHR D-6 L.810 |
| 17 | 52001469 | TUB.D-6 L.1050 4GR GAS AR 90 | TUBE D-6 L.1050 | TUYAU D-6 L.1050 | ROHR D-6 L.1050 |
| 18 | 18551 | TERMOCOPPIA SIT 0290003 L450 | THERMOCOUPLE SIT L450 | TIGE THERMOCOUPLE GAZ L450 | THERMOELEMENT SIT 0290003 L450 |
| 19 | 51003 | ASSIEME REGOLATORE GAS NORMALE POLI | NORMAL GAS REGULATOR SET *POLES* | ENSEMBLE REGULATEUR GAZ NORMAL | GASREGELUNGSSATZ |
| 19 | 51005 | ASSIEME REGOLATORE GAS X SICUREZZA | GAS REGULATOR | ENSEMBLE REGULATEUR GAZ | GASREGELUNGSSATZ |

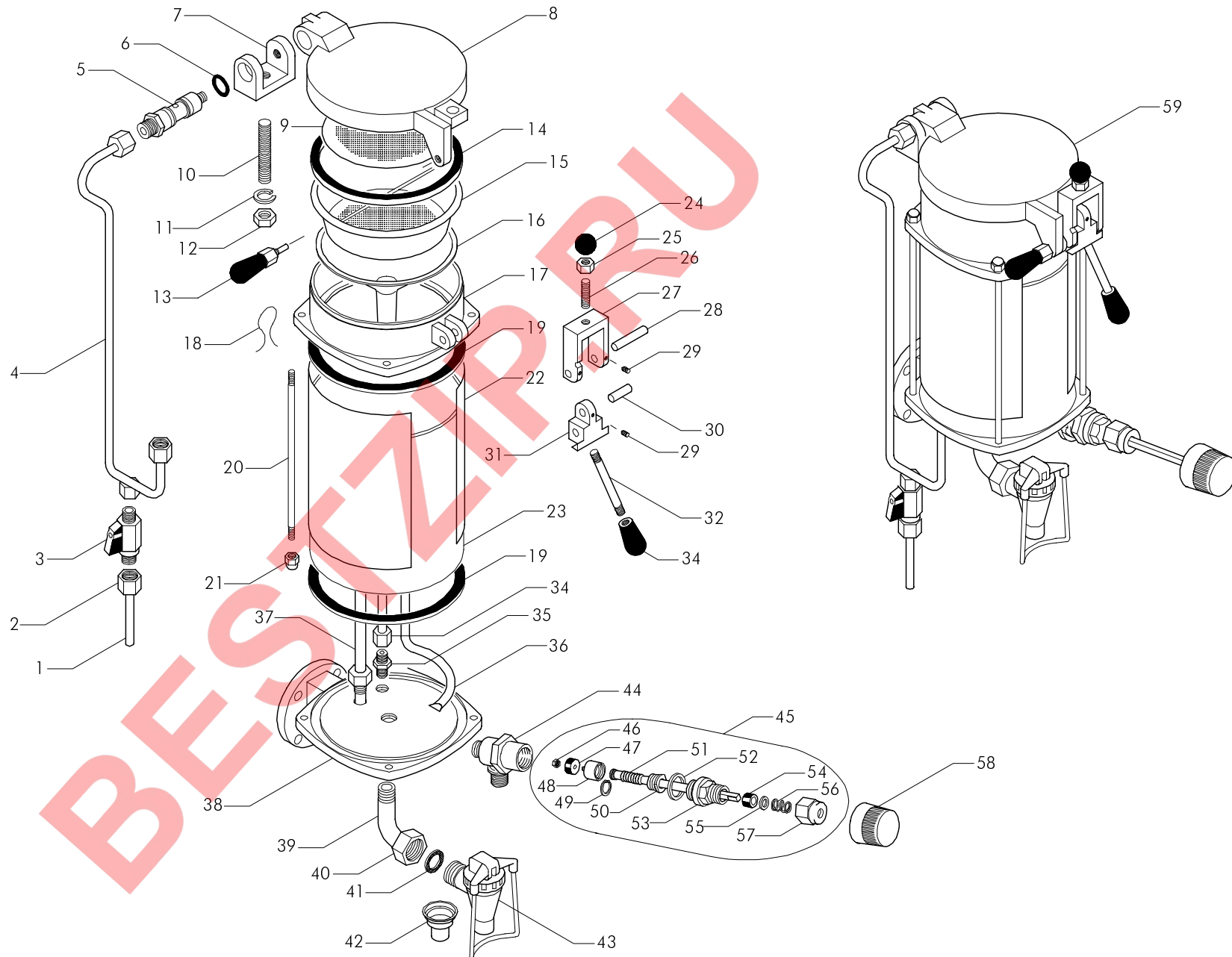


| Pos | Cod. | Denominazione - IT - | Denomination - GB - | Denomination - FR - | Denomination - DE - |
|-----|----------|-------------------------------------|-------------------------------------|--------------------------------------|---------------------------------------|
| 20 | 25622 | PORTAGOMMA 1/4 CON X SIC GAS | 1/4 CONICAL HOSE CONNECTION FOR GAS | PORTE-TUYAU 1/4 CONIQUE POUR SEC.GAZ | SCHLAUCHHALTER 1/4 MIT X GASSICHERUNG |
| 21 | 20221 | RUBINETTO SICUREZZA GAS SIT 0400006 | GAS SECURITY VALVE SIT 0400006 | ROBINET SURETE GAZ SIT 0400006 | GASSICHERHEITSHAHN SIT 0400006 |
| 22 | 23019 | DADO M12X1 OTTONE SIT 0992007 | S.I.T. BRASS NUT M12X1 | ECROU M12X1 LAITON POUR S.I.T. | MESSING SCHRAUBENMUTTER M12X1 |
| 23 | 10350 | GHIERA X GAS SIT 0991005 | GAS RING NUT SIT 0991005 | EMBOUT POUR GAZ SIT 0991005 | GASZWINGE SIT 0991005 |
| 24 | 52001454 | TBS.D-8 L.95 1GR GAS AR 75 | TUBE D-8 L.95 | TUYAU D-8 L.95 | ROHR D-8 L.95 |
| 25 | 52000222 | TBS.D-8 L.135 DV 23 SICUREZZA | D-8 135 L PIPE DV 23 | TUYAU D-8 L.135 DV 23 | ROHR D-8 L.135 DV 23 |
| 25 | 52001322 | TUB.D-8 L.180 1GR LD 19/B | TUBE D-8 L.180 | TUYAU D-8 L.180 | ROHR D-8 L.180 |

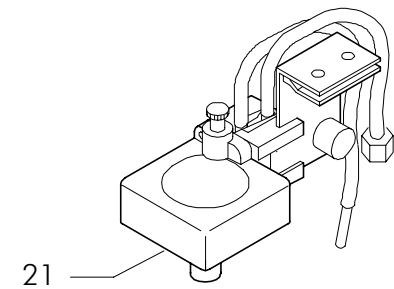
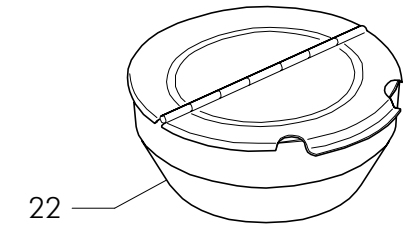
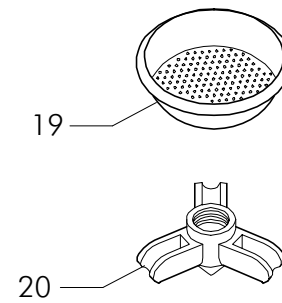
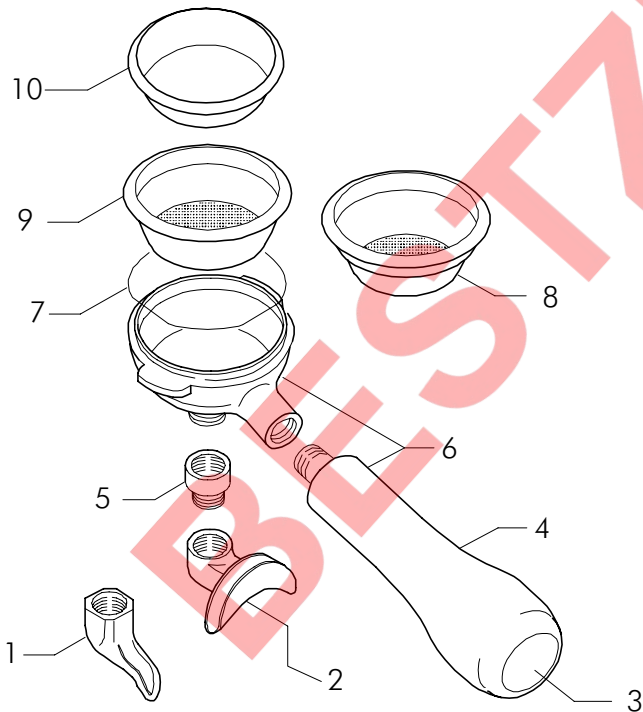
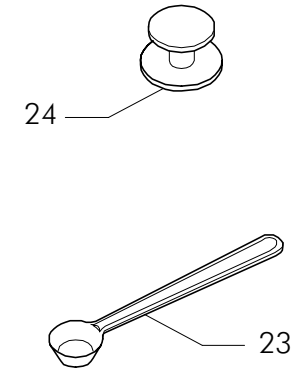
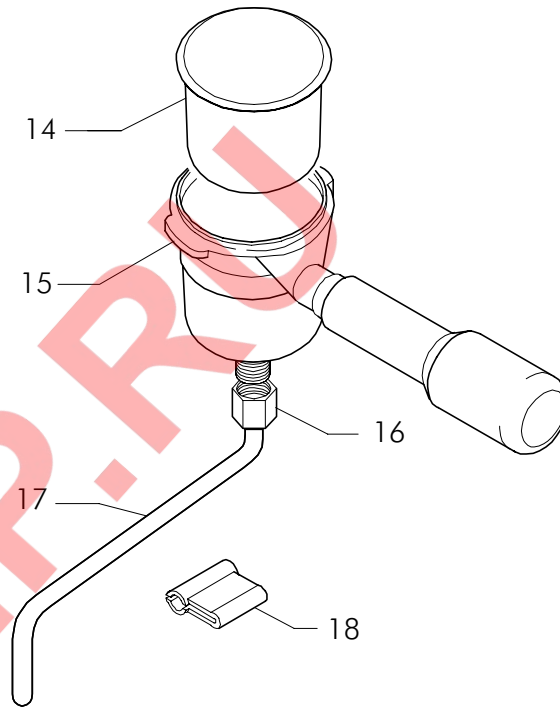
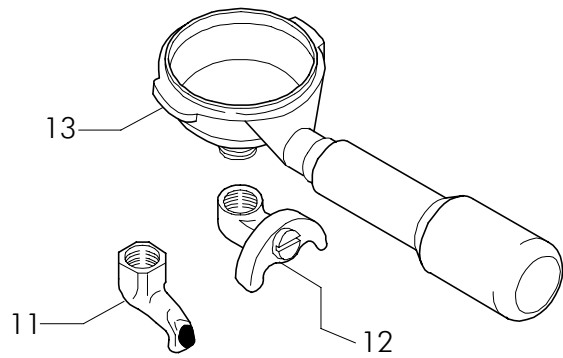
BESTZIPP.R



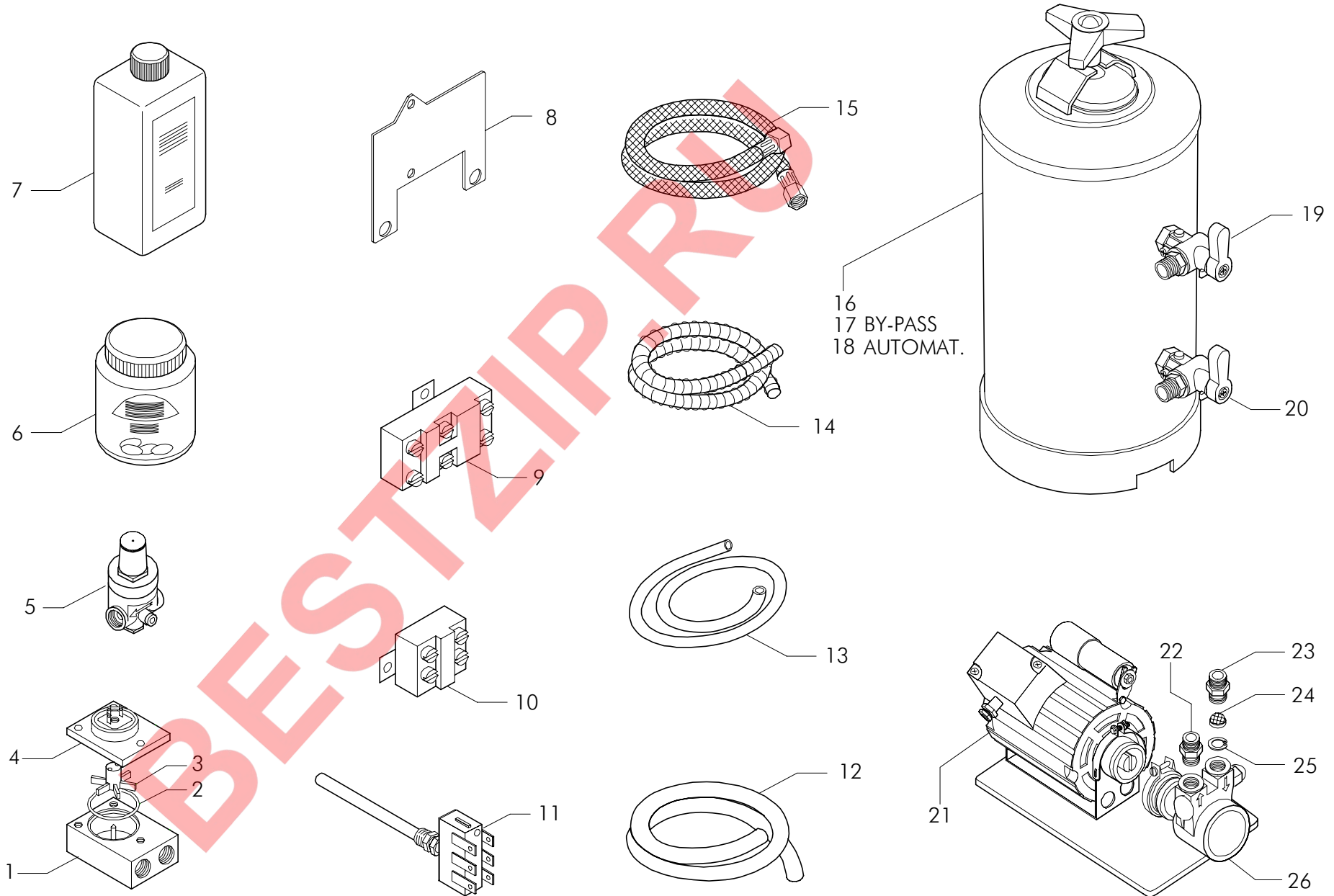
| Pos | Cod. | Denominazione - IT - | Denomination - GB - | Denomination - FR - | Denomination - DE - |
|-----|----------|--------------------------------------|-------------------------------------|--------------------------------------|-------------------------------------|
| 1 | 52001906 | TUB.D-8 L.40 2-3GR UKNT 21 | TUBE D-8 L.40 2-3GR | TUYAU D-8 L.40 2-3GR | ROHR D-8 L.40 2-3GR |
| 2 | 25382 | DADO 1/4 FORO 9.5 OTTONE | NUT 1/4 HOLE 9.5 | ECROU 1/4 TROU 9.5 | SCHRAUBENMUTTER 1/4 LOCH 9.5 |
| 3 | 20354 | VALVOLA CHIUSURA AEA | PRESSURE RELEASE TAP BULK UNIT | CLAPET FERMETURE AUT.ARRIVEE EAU | ABSPERRVENTIL X AUT.WASSERZUFUHR |
| 4 | 52001896 | TUB.D-8 L.510 2-3GR UKNT 1 | TUBE D-8 L.510 2-3GR | TUYAU D-8 L.510 2-3GR | ROHR D-8 L.510 2-3GR |
| 5 | 25605 | PERNO COPERCHIO T.RISERVA CROMATO | BULK UNIT LID HINGE | PIVOT COUVERCLE THERMO RESERVE | ZAPFEN BRUHGRUPPEDECKEL - CHROM |
| 6 | 12303 | GUARNIZIONE OR 119 VITON TAPPO | CAP O RING GASKET 119 | JOINT OR 119 POUR BOUCHON | OR DICHTUNG FUR STOPFEN 119 |
| 7 | 53210 | FORCELLA FULCRO COPER. TR CROMATO | FORK FOR BULK UNIT CAP | FOURCHETTE COUVERCLE THERMO RESERVE | GABEL FUR BRUHGRUPPEDECKEL - CHROM |
| 8 | 53220 | COPERCHIO TERMORISERVA CROMATO | BULK UNIT CAP | COUVERCLE THERMO RESERVE | BRUHGRUPPEDECKEL |
| 9 | 28105 | DOCCIA PER TERMORISERVA | BULK UNIT SHOWER PLATE | DOUCHETTE THERMO RESERVE | VERTEILERSIEB X BRUHGRUPPE |
| 10 | 25320 | BARRA FIL.L72 M12 AISI 304 LUCIDATO | BULK UNIT CUTTING PIN L=72 M12 AISI | TIGE L=72 M12 THERMO RES. M12 AISI | STANGE L=72 M12 BRUHGRUPPE M12 AISI |
| 11 | 23275 | RONDELLA INOX GROVER 12 | GROVER WASHER 12 | RONDELLE INOX GROVER 12 | STAHLSCHEIBE GROVER 12 |
| 12 | 23056 | DADO M12 BASSO OTTONE CROMATO | LOW NUT M12 CHROMED BRASS | ECROU INFERIEUR M12 LAITON CHROME | UNTERE MUTTER M12 - MESSING CHROM |
| 13 | 20120 | POMELLO SICUREZZA PORTAFILTRO TR | FILTER HOLTER SECURITY KNOB B.U. | POMMEAU SURETE PORTE FILTRE T.R. | SICHERHEITSGRIFF FILTERHALTER B.G. |
| 14 | 12210 | GUARNIZ.GOMMA TERMORISERVA 148X133X7 | BULK UNIT LID SEAL 148X133X7 | JOINT THERMO RESERVE 148X133X7 | BRUHGRUPPEDICHTUNG 148X133X7 |
| 15 | 28124 | FILTRO PER GRUPPO TR TIPO GAGGIA | BULK UNIT FILTER | FILTRE GROUPE THERMO RESERVE | BRUHGRUPPEFILTER |
| 16 | 28160 | IMBUTO GR ROSSI TERMORISERVA R 2736 | BULK UNIT FUNNEL R 2736 | ENTONNOIR GR. THERMO RESERVE R 2736 | TRICHTER FUR BRUHGRUPPE R 2736 |
| 17 | 53230 | ANELLO SUP.PORTAFILTRO TR CROMATO | FILTER HOLDER TOP RING FOR B.U. | BAGUE PORTE-FILTRE THERMO RESERVE | FILTERGRIFFRING FUR BRUHGRUPPE |
| 18 | 28232 | MOLLA IMBUTO TERMORISERVA R 2130 | SPRING FUNNEL BULK UNIT R 2130 | RESSORT ENTONNOIR T.RESERVE R 2130 | TRICHTERFEDER BRUHGRUPPE R 2130 |
| 19 | 12209 | GUARNIZ.GOMMA TERMORISERVA 134X154X3 | BULK UNIT GLASS SEAL 134X154X3 | JOINT THERMO RESERVE 134X154X3 | BRUHGRUPPEDICHTUNG 134X154X3 |
| 20 | 25304 | ASTA D6 AISI L205 TERMORISERVA | BULK UNIT GLASS TIE ROD D=6 L=205 | TIGE THERMO RESERVE D=6 L=205 | STANGE D6 AISI L205 BRUHGRUPPE |
| 21 | 23057 | DADO CIECO INOX M6 UNI 5721 | STEEL BLIND NUT M6 UNI 5721 | ECROU INOX AVEUGLE M6 UNI 5721 | STAHLHUTMUTTER M6 UNI 5721 |
| 22 | 77691R | PROTEZIONE INOX VETRO TERMORISERVA | BULK UIT STEEL ARMOUR GLASS | PROTECTEUR INOX VERRE THERMO RESERVE | STAHL SCHULTZ GLAS BRUHGRUPPE |
| 23 | 20500 | VETRO TERMORISERVA D150/D140/H180 | BULK UNIT GLASS D150/D140/H180 | VERRE THERMORESERVE D150/D140/H180 | BRUHGRUPPEGLAS D150/D140/H180 |
| 24 | 15405 | POMELLO TERMORISERVA PL25 M10 | KNOB M10 FOR BULK UNIT PL25 | POMMEAU M10 T.R. PL25 | KUGELGRIFF M10 BRUHGRUPPE PL25 |
| 25 | 23052 | DADO OTTONE M10 UNI 5587 | TOP BRASS NUT M10 UNI 5587 | ECROU LAITON SUPERIEUR M10 UNI 5587 | UNTER/MESSING MUTTER M10 UNI 5587 |
| 26 | 10402 | GRANO CE 10X35 INOX UNI 5923 | STEEL GRUB SCREW 10X35 UNI 5923 | GRAIN CE 10X35 INOX UNI 5923 | STAHLGEWINDESTIFT 10X35 UNI 5923 |
| 27 | 53250 | FORCELLA BLOCCA COPER. TR CROMATO | FORK FOR BULK UNIT CAP | FOURCHETTE COUVERCLE THERMO RESERVE | GABEL FUR BRUHGRUPPEDECKEL |
| 28 | 25604 | PERNO D8 L41 AISI T.RISERVA | BULK UNIT PIN D8 L41 | PIVOT D8 L41 THERMO RESERVE | ZAPFEN D8 L41 AISI BRUHGRUPPE |
| 29 | 10404 | GRANO 4X5 PUNTA CONICA BRU.UNI 5927 | GRUB SCREW 4X5 CONIC POINT-BLUED FE | GRAIN 4X5 POINTE CONIQUE FE | GEWINDESTIFT 4X5 MIT KEGELSPITZE FE |
| 30 | 25603 | PERNO D8 L25 AISI T.RISERVA | BULK UNIT PIN D8 L25 | PIVOT D8 L25 THERMO RESERVE | ZAPFEN D8 L25 AISI BRUHGRUPPE |
| 31 | 53200 | INNESTO LEVA COPERCHIO TR CROMATO | PIVOT FOR BULK UNIT CAP | PIVOT COUVERCLE THERMO RESERVE | EINRUCKEN FUR BRUHGRUPPEDECKEL |
| 32 | 25303 | ASTA D8 AISI L84 TERMORISERVA | BULK UNIT ROD D8 L84 | TIGE THERMO RESERVE D8 L84 | STANGE D8 AISI L84 BRUHGRUPPE |
| 33 | 15400 | POMELLO LEVETTA POMPA I.147/40-M8 | MANUAL FILL LEVER KNOB I.147/40-M8 | BOUTON LEVIER POMPE I.147/40-M8 | KNAUF PUMPENHEBEL I.147/40-M8 |
| 34 | 25381 | DADO 1/4 FORO 6.2 | NUT 1/4 HOLE 6.2 | ECROU 1/4 TROU 6.2 | SCHRAUBENMUTTER 1/4 LOCH 6.2 |
| 35 | 25686 | RACCORDO 1/4X1/4 FLANGIA | CONNECTOR 1/4 X 1/4 FLANGE | RACCORD 1/4 X 1/4 BRIDE | ANSCHLUSS 1/4X1/4 FLANSCH |
| 36 | 52001873 | TUB.D-6 L.450 2-3GR UKT 18 | TUBE D-6 L.450 2-3GR | TUYAU D-6 L.450 2-3GR | ROHR D-6 L.450 2-3GR |
| 37 | 52001872 | TUB.D-10 L.245 2-3GR UKT 17 | TUBE D-10 L.245 2-3GR | TUYAU D-10 L.245 2-3GR | ROHR D-10 L.245 2-3GR |



| Pos | Cod. | Denominazione - IT - | Denomination - GB - | Denomination - FR - | Denomination - DE - |
|-----|----------|--------------------------------------|-------------------------------------|------------------------------------|-----------------------------------|
| 38 | 53240 | SUPPORTO TERMORISERVA CROMATO | BULK UNIT SUPPORT | SUPPORT THERMO RESERVE | BRUHGRUPPEHALTER |
| 39 | 53260 | RACCORDO USCITA TERMORISERVA CROMATO | WAY OUT CONNECTOR BULK UNIT | RACCORD SORTIE THERMO RESERVE | AUSGANGFITTING BRUHGRUPPE |
| 40 | 25397 | DADO 3/4 X RUBINETTO TR CROMATO | NUT 3/4 FOR BULK UNIT TAP | ECROU 3/4 ROBINET THERMO RESERVE | MUTTER 3/4 FUR BRUHGRUPPEHAHN |
| 41 | 12010 | GUARNIZ.TEFLON X H2O/VAP 21X17X2 | W/S PIPE GASKET TEFLON 21X17X2 | JOINT TUYAU TEFLON EAU/VAP 21X17X2 | TEFLON-DICHTUNG X H2O/VAP 21X17X2 |
| 42 | 12213 | GUARNIZIONE GOMMA X RUBINETTO | RUBBER GASKET FOR BULK UNIT VALVE | JOINT DE ROBINET THERMO RESERVE | DICHTUNG FUR BRUHGRUPPEHAHN |
| 43 | 20225 | RUBINETTO TERMORISERVA | TAP FOR BULK UNIT | ROBINET POUR THERMO RESERVE | HAHN FUR BRUHGRUPPE |
| 44 | 53060 | CORPO RUBINETTO T.RISERVA CROMATO | BULK UNIT VALVE BODY | CORPS DE ROBINET THERMO RESERVE | HAHNKORPER BRUHGRUPPE - CROHM |
| 45 | 56101 | ASSIEME RUBINETTO TERMORISERVA CROM. | TAP SET FOR BULK UNIT | ENSEMBLE ROBINET THERMO RESERVE | ROHRSATZ FUR BRUHGRUPPE |
| 46 | 23050 | DADO OTTONE M3 UNI 5587 | BRASS NUT M3 UNI 5587 | ECROU LAITON M3 UNI 5587 | MESSING-MUTTER M3 UNI 5587 |
| 47 | 12203 | GUARNIZIONE GOMMA 15X4X4 | RUBBER GASKET 15X4X4 | JOINT EN CAOUTCHOUC 15X4X4 | GUMMIDICHTUNG 15X4X4 |
| 48 | 25616 | PISTONCINO RUBINETTO | TAP JUMPER | PISTON ROBINET | HAHNKOLBEN |
| 49 | 10001 | ANELLO ARRESTO D6 INOX 316 DIN 6799 | STEEL CIRCLIP 316 DIN 6799 | CIRCLIP INOX 316 DIN 6799 | STAHLHALTENRING 316 DIN 6799 |
| 50 | 25461 | GHIERA RUBINETTO | TAP RING NUT | EMBOUT ROBINET | HAHNZWINGE |
| 51 | 25310 | ASTA RUBINETTO T.RISERVA CROMATA | CHROMED VALVE SPINDLE FOR BULK UNIT | TIGE ROBINET CRHOME THERMO RESERVE | CHROM HAHNSTANGE FUR BRUHGRUPPE |
| 52 | 12158 | GUARNIZIONE CU RUB.26X20.5X2 | 3/8 22X17X1.5 COPPER SEAL | JOINT CUIVRE 3/8 22X17X1.5 | KUPFERDICHTUNG 3/8 22X17X1.5 |
| 53 | 25678001 | RACCORDO RUBINETTO | TAP FITTING | RACCORD ROBINET | HAHNANSCHLUSSTUCK |
| 54 | 12204 | GUARNIZIONE GOMMA RUBINETTO H2O/VAP | W/S TAP RUBBER GASKET 12.5X7.5X9 | JOINT CAOUTCHOUC ROB.EAU/VAP 12.5 | HAHNDICHTUNG W/D 12.5X7.5X9 |
| 55 | 25655 | RONDELLA RUBINETTO | TAP WASHER | RONDELLE ROBINET | HAHNSCHEIBE |
| 56 | 10452 | MOLLA RUBINETTO H2O/VAPORE N4 | WATER/STEAM TAP SPRING N4 | RESSORT DE ROBINET EAU-VAPEUR N4 | WASSER/DAMPF HAHNFEDER N4 |
| 57 | 25385 | DADO PREMISTOPPA RUBINETTO | TAP STUFFING NUT | ECROU DE PRESSE-ETOUPE ROBINET | STOPFBUCHSE MUTTER - HAHN |
| 58 | 15250 | MANOPOLA RUBINETTO H2O | BULK UNIT WATER KNOB | POIGNEE ROBINET EAU | WASSERHAHN Griff |
| 58 | 15251 | MANOPOLA RUBINETTO VAPORE | BULK UNIT STEAM KNOB | POIGNEE ROBINET VAPEUR | DAMPFHAHN Griff |
| 59 | 56067 | GRUPPO TERMORISERVA C.M.A. | BULK UNIT | THERMO RESERVE | BRUHGRUPPE |



| Pos | Cod. | Denominazione - IT - | Denomination - GB - | Denomination - FR - | Denomination - DE - |
|-----|----------|---------------------------------------|-------------------------------------|------------------------------------|-------------------------------------|
| 1 | 27032001 | BECCUCCIO OTT/NI 1 TAZZA | BRASS SPOUT/NI 1 LONG CUP | BEC LAITON/NICKELE 1 TASSE LONG | AUSGUSS MESSING/NICKEL 1 TASSE LANG |
| 2 | 27042001 | BECCUCCIO OTT/NI 2 TAZZE | 2 CUPS BRASS/NICKEL SPOUT | BEC 2 TASSES LAITON/NICKEL | MESSING/NICK. SCHNABEL FÜR 2 TASSEN |
| 3 | 15486006 | TAPPO MANOPOLA PORTAFILTRO CROMATO | CAP FILTER HOLDER KNOB | BOUCHON POIGNEE PORTE-FILTRE | GRIFFVERSCHLUSS FILTERHALTER |
| 4 | 15263010 | MANOPOLA PORTAFILTRO NERA+INSERTO M12 | FILTER HOLDER KNOB | POIGNEE PORTE-FILTRE | FILTERHALTER GRIFF |
| 5 | 27060201 | PROLUNGA BECCUCCIO 1/2 TAZZE | EXTENSION | PROLONGE | VERLANGERUNG |
| 6 | 27311000 | PORTAFILTRO LAV.+ CROM.+MANOPOLA | FILTER HOLDER UNIT | ENSEMBLE PORTE-FILTRE | FILTERHALTER SATZ |
| 7 | 27254 | MOLLA FERMAFILTRO D-1,4 | FILTER CLAMP SPRING D-1,4 | RESSORT BLOCAGE-FILTRE D-1,4 | FILTERHALTEFEDER D-1,4 |
| 8 | 27142 | FILTRO INOX 1 TAZZA E/61 + CANALINO | E/61 1 CUP STAINLESS STEEL FILTER | FILTRE INOX 1 TASSE E/61 + RIGOLE | EDELSTAHL-FILTER 1 TASSE E/61 +FUE |
| 8 | 27146 | FILTRO INOX 1 TAZZA 19.5 + CANALINO | 19.5 1 CUP STAINLESS STEEL FILTER | FILTRE INOX 1 TASSE 19.5 + RIGOLE | EDELSTAHL-FILTER 1 TASSE 19.5 + |
| 9 | 27171 | FILTRO INOX 2 TAZZE E/61 + CANALINO | E/61 2 CUP STAINLESS STEEL FILTER | FILTRE INOX 2 TASSES E/61 + RIGOLE | EDELSTAHL-FILTER 2 TASSEN E/61 + |
| 9 | 27176 | FILTRO INOX 2 TAZZE 22 + CANALINO | 2 CUP STAINLESS STEEL FILTER 22 | FILTRE INOX 2 TASSES 22 + RIGOLE | EDELSTAHL-FILTER 2 TASSEN 22 + |
| 10 | 27173 | FILTRO INOX 2 TAZZE CIECO | 2 CUP STAINLESS STEEL CLOSED FILTER | FILTRE INOX 2 TASSES AVEUGLE | ROSTFREIER FILTER 2 TASSEN ÖFFNUNG |
| 11 | 27032 | BECCUCCIO OTT/NI 1 TAZZA LUNGO | BRASS SPOUT/NI 1 LONG CUP | BEC LAITON/NICKELE 1 TASSE LONG | AUSGUSS MESSING/NICKEL 1 TASSE LANG |
| 12 | 27042 | BECCUCCIO OTT/NI 2 TAZZE W FISSO | FIXED 2 CUPS BRASS/NICKEL SPOUT | BEC 2 TASSES LAITON/NICKEL FIXE | BEFESTIGER AUSGUSS 2 TASSEN CMA |
| 13 | 27304 | PORTAFILTRO | FILTER SUPPORT | PORTE-FILTRE | FILTERHALTERUNG |
| 14 | 27195 | FILTRO INOX 1 TRONCONE H52MM GIG | 1 LARGER SIZED STAINLESS STEEL FILT | FILTRE INOX 1 ELEMENT H52MM GIG | FILTER ROSTFREI STÄRKER H52MM GIG |
| 15 | 61010 | PORTAFILTRO GIGANTE | GIANT FILTER SUPPORT | PORTE-FILTRE GEANT | GROSSER FILTERTÄGER |
| 16 | 25387 | DADO 3/8 FORO 12.5 | 3/8 NUT 12.5 HOLE | ECROU 3/8 TROU 12.5 | MUTTER3/8 LOCH 12.5 |
| 17 | 52000155 | TUB.D-10 L.215 FG 1 CANNETTA CROMATA | TUBE D-10 L.215 | TUYAU D-10 L.215 | ROHR D-10 L.215 |
| 18 | 15295 | CLIPS ANTISCOTTATURA NERA | BLACK ANTISCORCHING CLIP | CLIP ANTI-BRULURES NOIRE | VERBRENNUNGSSCHUTZKLIPS |
| 19 | 27190 | FILTRO INOX 3 TAZZE 304/28 | 3 CUP STAINLESS STEEL FILTER 304/28 | FILTRE INOX 3 TASSES 304/28 | ROSTFREIER FILTER 3 TASSEN 304/28 |
| 20 | 27050 | BECCUCCIO OTT/NI 3 TAZZE CORTO | BRASS SPOUT/NI 3 SHORT CUPS | BEC LAITON/NICKELE 3 TASSES COU | AUSGUSS OTT/NI 3 TASSEN KURZ |
| 21 | 83300000 | KIT CAPPUCCINATORE | CAPPUCCINO MAKERKIT | KIT CAPPUCCINO | KIT CAPPUCCINO |
| 22 | 30300 | ZUCCHERIERA INOX | STAINLESS STEEL SUGAR-BOWL | SUCRIER INOX | ZUCKERDOSE ROSTFREI |
| 23 | 15290 | MISURINO IN PLASTICA GR.7 | 7 GR PLASTIC MEASURE | MESURE EN PLASTIQUE 7 GR. | PLASTIKMESSBECHER GR.7 |
| 23 | 30150 | MISURINO ACCIAIO INOX | STAINLESS STEEL MEASURE GR.7 | MESURE ACIER INOX 7GR. | EDELSTAHL-MESSBECHER 7GR. |
| 24 | 15420 | PRESSINO CAFFE' | COFFEE PRESS | PRESSE CAFE | EINDRÜCKVORRICHTUNG |
| 24 | 241034 | FUSIONE ALLUMINIO 60/82 PRESSINO | COFFEE PRESS ALUMINIUM | PRESSE ALUMINIUM | EINDRÜCKVORRICHTUNG ALUMINIUM |



| Pos | Cod. | Denominazione - IT - | Denomination - GB - | Denomination - FR - | Denomination - DE - |
|-----|----------|---------------------------------------|--------------------------------------|-------------------------------------|-------------------------------------|
| 1 | 18121 | CORPO DOSATORE FLOWMETER FH 12 | FH 12 FLOWMETER DOSING BODY | CORPS DOSEUR FLOWMETER FH 12 | DOSIERKÖRPERFLOWMETER FH 12 |
| 2 | 12315 | GUARNIZIONE OR 2112 28.2X1.78 VITON | O RING SEAL 28.2X1.78 VITON | JOINT OR 28.2X1.78 VITON | O-RINGDICHT.28.2X1.78 VITON |
| 3 | 15505 | VENTOLINO DOSATORE FLOWMETER | FLOWMETER DOSING FAN | DOSEUR FLOWMETER | KL.DOSIERUNGSLAUFRAD FLOWMETER |
| 4 | 18565 | TESTINA DOSATORE FLOWMETER FH 12 | FH 12 FLOWMETER DOSER HEAD | TETE DOSEUR FLOWMETER FH 12 | DOSIERERKOPF FLOWMETER FH 12 |
| 5 | 26330 | RIDUTTORE PRESSIONE STANDARD PN25 | PN25 DN3/8 STANDARD PRESS. REDUCTIO | REDUCTEUR PRESS. STANDARD PN25 DN3 | DRUCKREDUZIERER STANDARD PN25 DN3/8 |
| 6 | 08452 | DETERGENTE KMR PASTIGLIE CONF.200PZ | KMR PACK OF 200 TAB | DETERG.KMR CONF.200 PASTIL | REINIGUNGSM. KMR PACK 200 TABL |
| 7 | 08453 | DETERGENTE V7000 CONF.1LT | V7000 - 1 LT. PACK | DETERSIF V7000 DE 1 L | REINIGUNGSMITTEL V7000 PACKUNG 1 L |
| 8 | 77699 | SUPPORTO TERMOSTATI 2030000X | 2030000X THERMOSTAT SUPPORT | SUPPORT THERMOSTATS 2030000X | THERMOSTATHALTER 2030000X |
| 9 | 20300008 | TERMOSTATO 3P 120C TRECI 67T26 505007 | SAFETY CUT-OUT 3P 120C | THERMOSTAT 3P 120C | THERMOSTAT 3P 120C |
| 10 | 20300006 | TERMOSTATO 2P 120C TRECI 66TM 301631 | SAFETY CUT-OUT 2P 120C | THERMOSTAT 2P 120C | THERMOSTAT 2P 120C |
| 11 | 20302 | TERMOSTATO SALVARESISTENZA | SAFETY CUT-OUT | THERMOSTAT PROTEGE-RESISTANCE | THERMOSTAT |
| 12 | 15458 | TUBO RETINATO CRISTALLINO 16X10 | TUBE 16X10 | TUYAU 16X10 | ROHR 16X10 |
| 13 | 15476 | TUBO SILICONE 5X8 KGXMT 0.044 | 5X8 SILICONE PIPE | TUYAU SILICONE 5X8 KGXMT 0.04 | SILIKONROHR 5X8 KGXMT 0.044 |
| 14 | 15470 | TUBO CAVOFLEX D16 SCARICO | D16 CAVOFLEX DRAIN PIPE | TUYAU CAVOFLEX D16 SCARICO | ABFLUSSROHR CAVOFLEX D16 |
| 15 | 30401 | TUBOFLEX 1/4FF P.GOMMA CON. L28 NI | 1/4 FEMALE FLEX PIPE CONICAL HOSE F | TUYAU FLEX 1/4 FF PORTE-TUYAU | SCHLAUCH 1/4 AUFNAHMETÜR GUMMI KONI |
| 15 | 30403 | TUBOFLEX 3/8FF P.GOMMA CON. L33 NI | 3/8 FEMALE FLEX PIPE CONICAL HOSE F | TUYAU FLEX 3/8 FF PORTE-TUYAU | SCHLAUCH 3/8 AUFNAHMETÜR GUMMI KONI |
| 15 | 30404 | TUBOFLEX 3/8FF P.GOMMA CON. L45 NI | 3/8 FEMALE FLEX PIPE CONICAL HOSE F | TUYAU FLEX 3/8 FF PORTE-TUYAU | SCHLAUCH 3/8 AUFNAHMETÜR GUMMI KONI |
| 15 | 30407 | TUBOFLEX 3/8FF P.GOMMA CON. L100 NI | 3/8 FEMALE FLEX PIPE CONICAL HOSE F | TUYAU B0 FLEX 3/8 FF PORTE-TUYAU | SCHLAUCH 3/8 AUFNAHMETÜR GUMMI KONI |
| 15 | 30408 | TUBOFLEX 3/8FF P.GOMMA CON. L150 NI | 3/8 FEMALE FLEX PIPE CONICAL HOSE F | TUYAU FLEX 3/8 FF PORTE-TUYAU | SCHLAUCH 3/8 AUFNAHMETÜR GUMMI KONI |
| 16 | 26029 | ADDOLCITORE DVA LT5 | WATER SOFTENER LT.5 | ADOUCISSEUR LT.5 | ENTKÄLKER LT.5 |
| 16 | 26030 | ADDOLCITORE DVA LT 8 | DVA 8 LT WATER SOFTENER | ADOUCISSEUR DVA LT 8 | ENTHÄRTER DVA LT 8 |
| 16 | 26031 | ADDOLCITORE DVA LT 12 | DVA 12 LT WATER SOFTENER | ADOUCISSEUR DVA LT 12 | ENTHÄRTER DVA LT 12 |
| 16 | 26032 | ADDOLCITORE DVA LT 16 | DVA 16 LT WATER SOFTENER | ADOUCISSEUR DVA LT 16 | ENTHÄRTER DVA LT 16 |
| 17 | 26033 | ADDOLCITORE DVA LT 8 BY-PASS | WATER SOFTENER DVA LT.8 BY-PASS | ADOUCISSEUR DVA LT.8 BY-PASS | ENTKALKER DVA LT.8 BY-PASS |
| 17 | 26034 | ADDOLCITORE DVA LT 12 BY-PASS | SOFTENER DVA LT. 12 BY-PASS | ADOUCISSEUR DVA LT. 12 BY-PASS | ENTHARTER DVA LT.12 BY-PASS |
| 17 | 26035 | ADDOLCITORE DVA LT 16 BY-PASS | SOFTNER DVA LT.16 BY-PASS | ADOUCISSEUR DVA LT. 16 BY-PASS | ENTHALTER DVA LT.16 BY-PASS |
| 18 | 26037 | ADDOLC.AUT.CABIN.LT 8 DM 01 3/8" | AUTOMATIC WATER SOFTENER LT.8 | ADOUCISSEUR AUTOMATIQUE LT.8 | AUTOMATISCHE ENTHARTER DVA LT.8 |
| 19 | 28203 | MANOPOLA ROSSA RUBINETTO ADDOLCIT. | RED HANDLE X WATER SOFTENER TAP | POIGNEE ROUGE X ROBINET ADOUCISSEUR | ROTER HANDGRIFF X ENTKALKERHAHN |
| 20 | 28284 | RUBINETTO PER ADDOLCITORE | TAP FOR SOFTENER | ROBINET POUR ADOUCISSEUR | HAHN FÜR ENTHÄRTER |
| 21 | 18300 | MOTORE R.P.M. 230/50-60 110027.06 | MOTOR R.P.M. 230/50-60 110027.06 | MOTEUR TOURS/MIN 230/50-60 110027.0 | MOTOR R.P.M. 230/50-60 110027.06 |
| 21 | 18306 | MOTORE R.P.M. 110/115V-50/60 HZ | MOTOR R.P.M. 110/115V-50/60 HZ | MOTEUR TOURS/MIN 110/115V-50/60 HZ | MOTOR R.P.M. 110/115V-50/60 HZ |
| 21 | 18308 | MOTORE R.P.M. 240/50-60 110245.04 | MOTOR R.P.M. 240/50-60 M0245.04 | MOTEUR TOURS/MIN 240/50-60 M0245.04 | MOTOR R.P.M. 240/50-60 M0245.04 |
| 22 | 25687 | RACCORDO 3/8X3/8 GAS | 3/8X3/8 GAS FITTING | RACCORD 3/8X3/8 GAZ | ANSCHLUSS 3/8X3/8 GAS |
| 23 | 25732 | RACCORDO 3/8X3/8 + SEDE FILTRO | 3/8X3/8 FITTING + FILTER HOUSING | RACCORD 3/8X3/8 + LOG. FILTRE | ANSCHLUSS 3/8X3/8 + FILTERSITZ |
| 24 | 10254 | FILTRO ACCIAIO 160-200 MESH | STEEL FILTER 160-200 MESH | FILTRE EN ACIER 160-200 MESH | STAHLFILTER 160-200 MESH |
| 25 | 10005 | ANELLO DI ARRESTO INOX DIN472 D11 | DIN472 D11 STAINLESS STEEL STOP RING | ANNEAU DE BUTEE INOX DIN472 D11 | DRAHTSPRENGRING ROSTFREI DIN472 D11 |
| 26 | 26302 | POMPA PROCON CO 51509L PASSO 3/8GAS | CO 51509L PROCON PUMP, 3/8NPT PITCH | POMPE PROCON CO 51509L PAS 3/8NPT | PUMPE PROCON CO 51509L SCHRITT 3/8N |
| 26 | 26303 | POMPA PO 204 BY PASS ETL | PO 204 BY PASS PUMP ETL | POMPE PO 204 BY PASS ETL | PUMPE PO 204 BY PASS ETL |

INDICE - INDEX - SOMMAIRE - VERZEICHNIS

CAR-01

Carrozzeria **1000 COLORI** - Body parts **1000 COLOURS**
Carrosserie **1000 COULEURS** - Karosserie **1000 FARBEN**

CAR-02

Carrozzeria **ROSA** - Body parts **PINK**
Carrosserie **ROSE** - Karosserie **ROSA**

CAR-03

Carrozzeria **RAME/OTTONE** - Body parts **COPPER/BRASS**
Carrosserie **CUIVRE/LAITON** - Karosserie **KUPFER/MESSING**

CAR-04

Carrozzeria **INOX** - Body parts **S.STEEL**
Carrosserie **INOX** - Karosserie **STAHL**

CAR-05

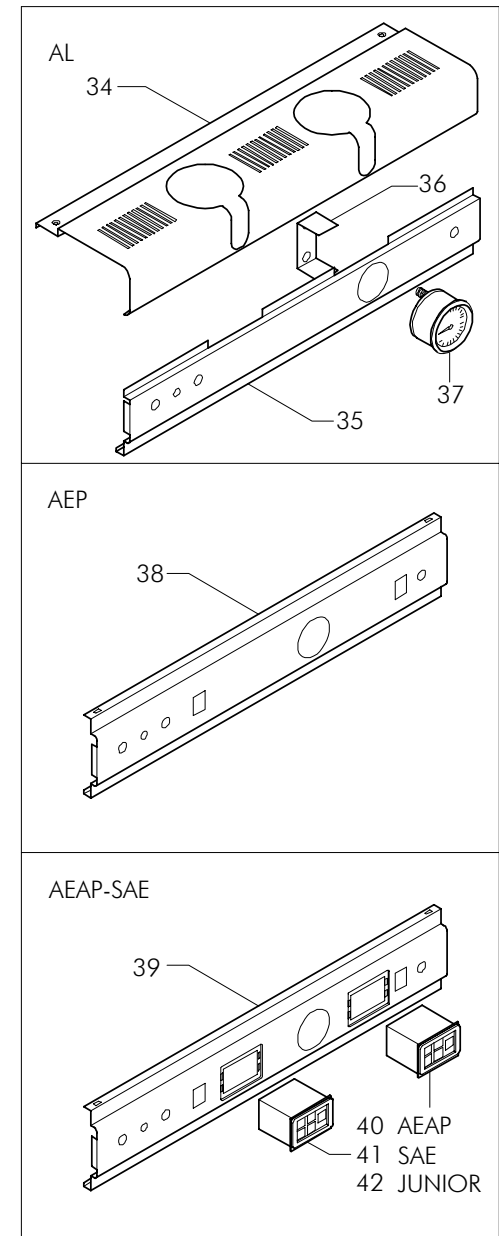
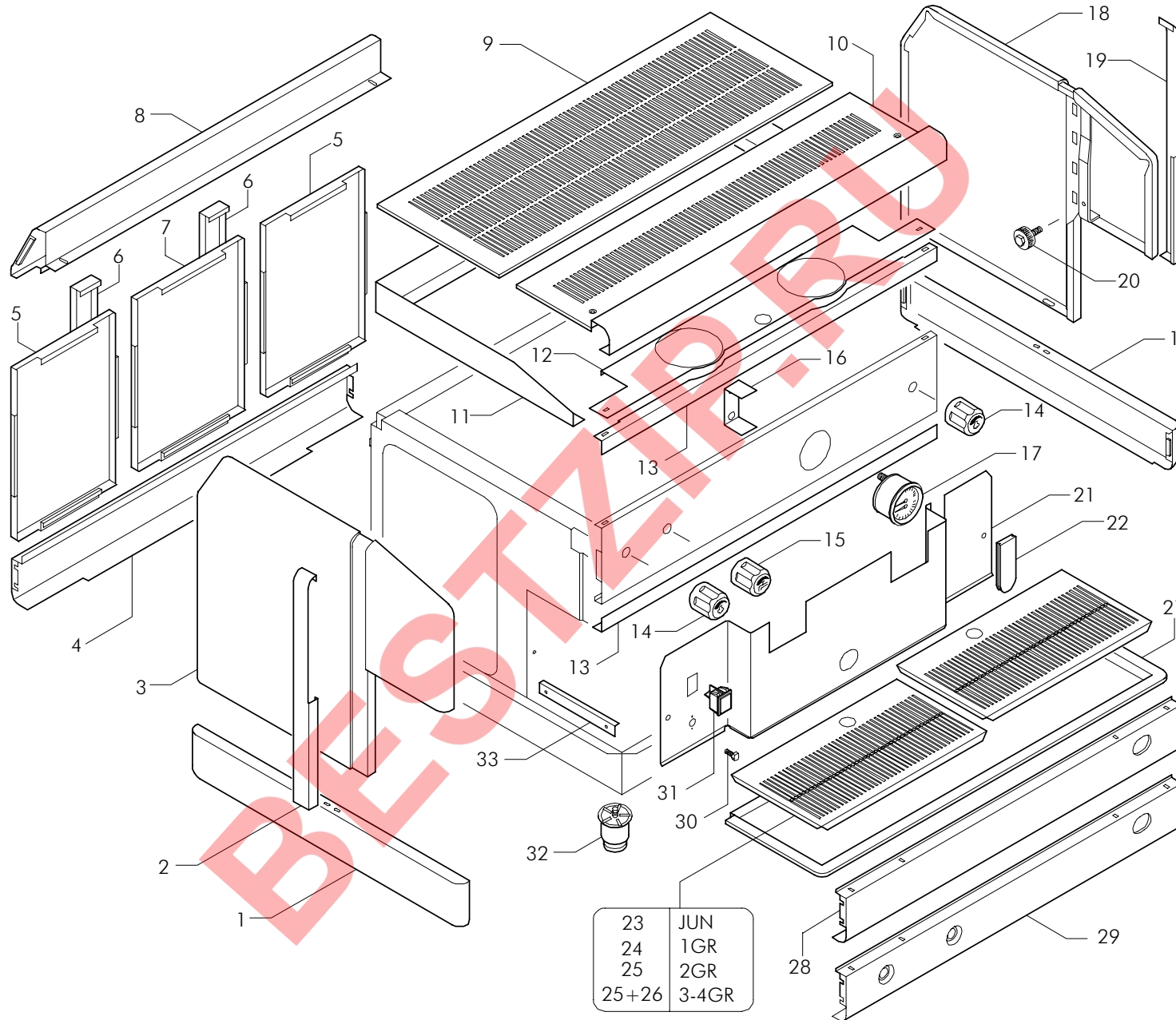
Carrozzeria **GRIGIO WINCHESTER** - Body parts **GREY WINCHESTER**
Carrosserie **GRIS WINCHESTER** - Karosserie **GRAU WINCHESTER**

CAR-06

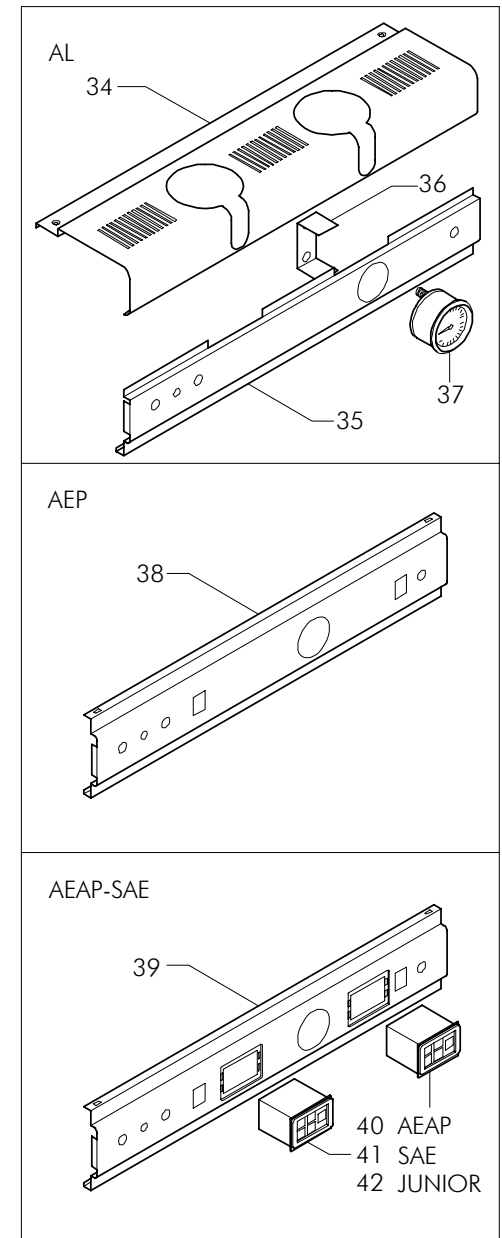
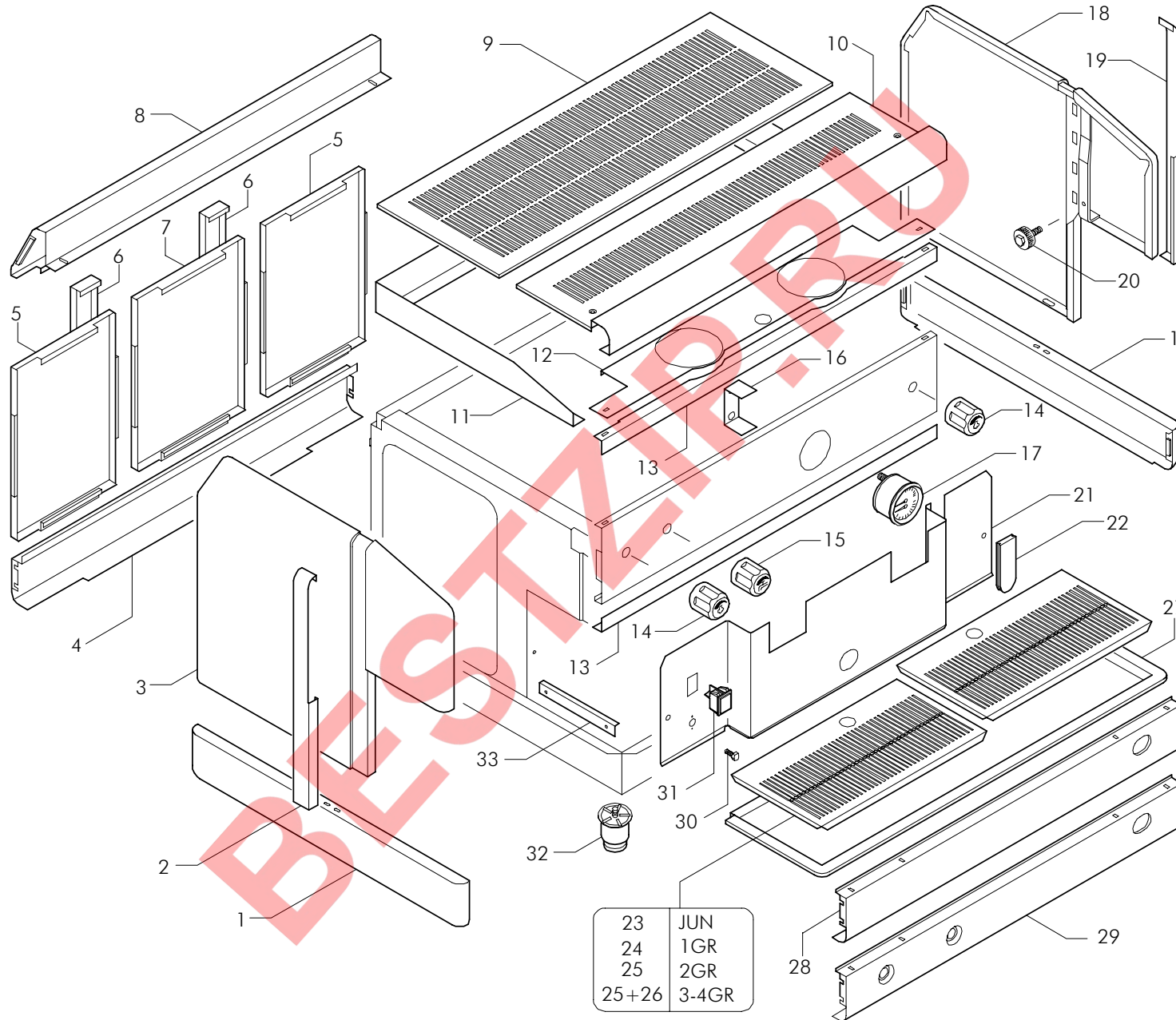
Carrozzeria **NERO** - Body parts **BLACK**
Carrosserie **NOIR** - Karosserie **SCHWARZ**

Carrozzeria
Body parts
Carrosserie
Karosserie

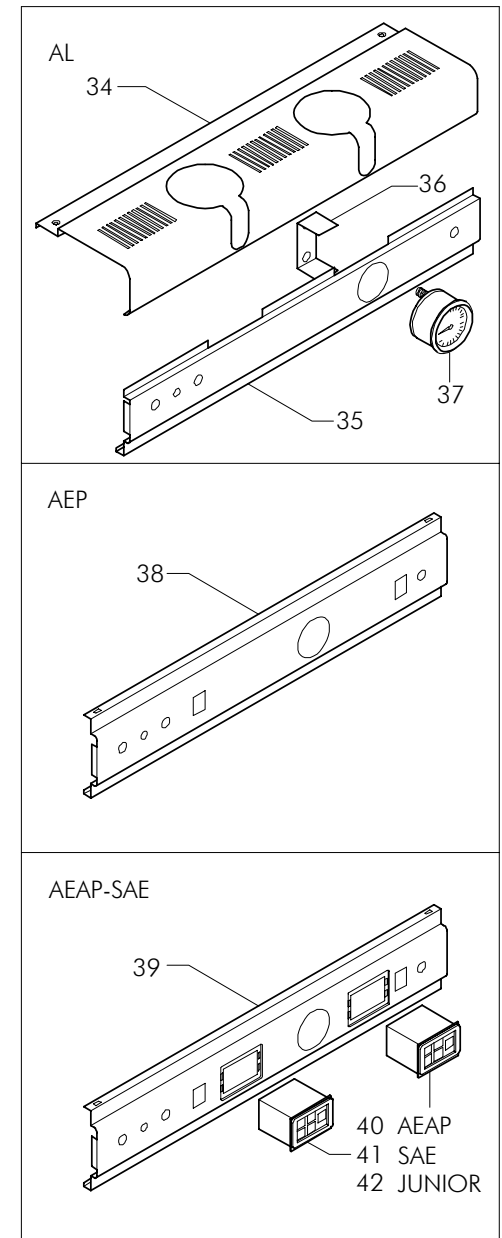
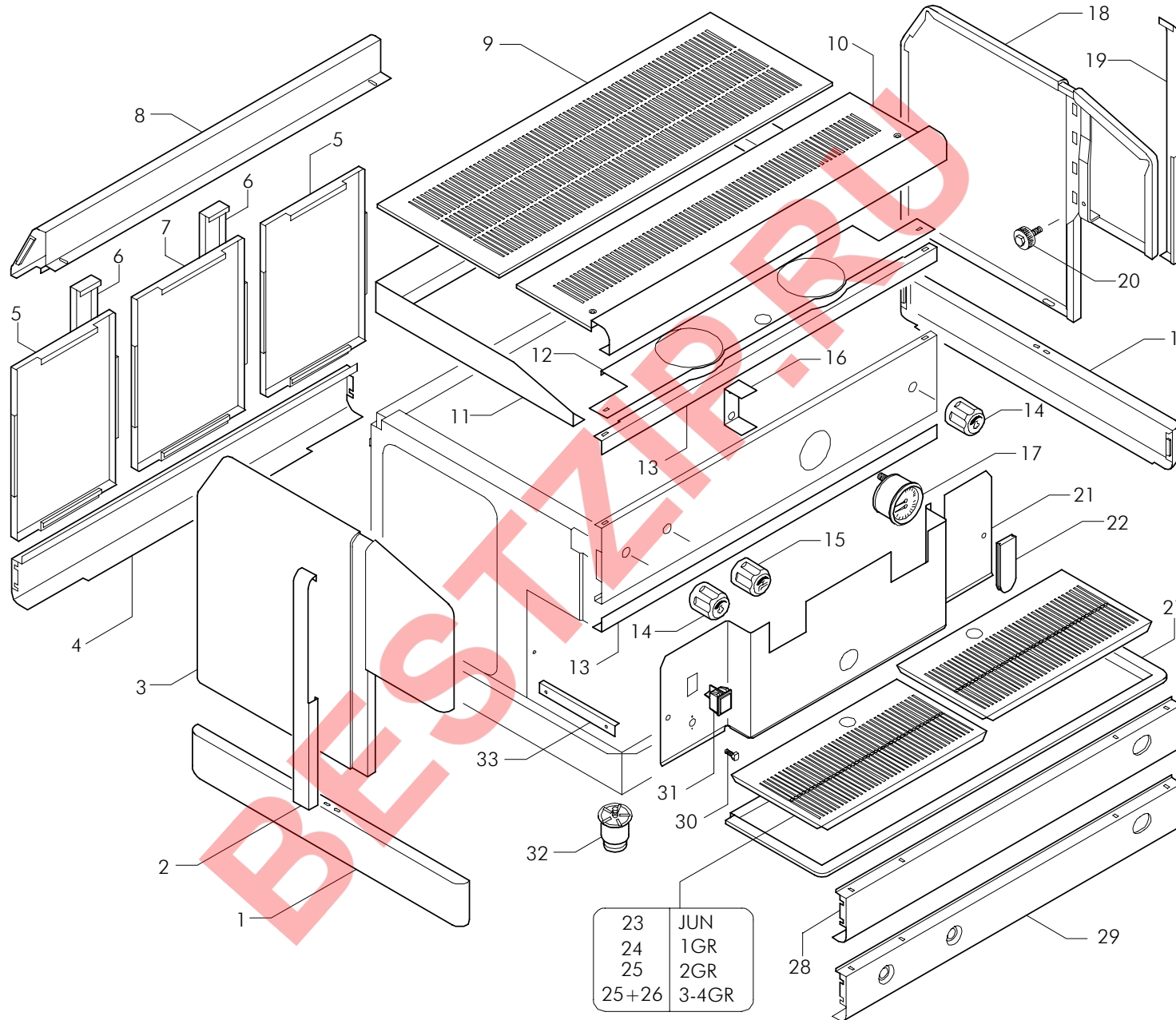
ARGENTA



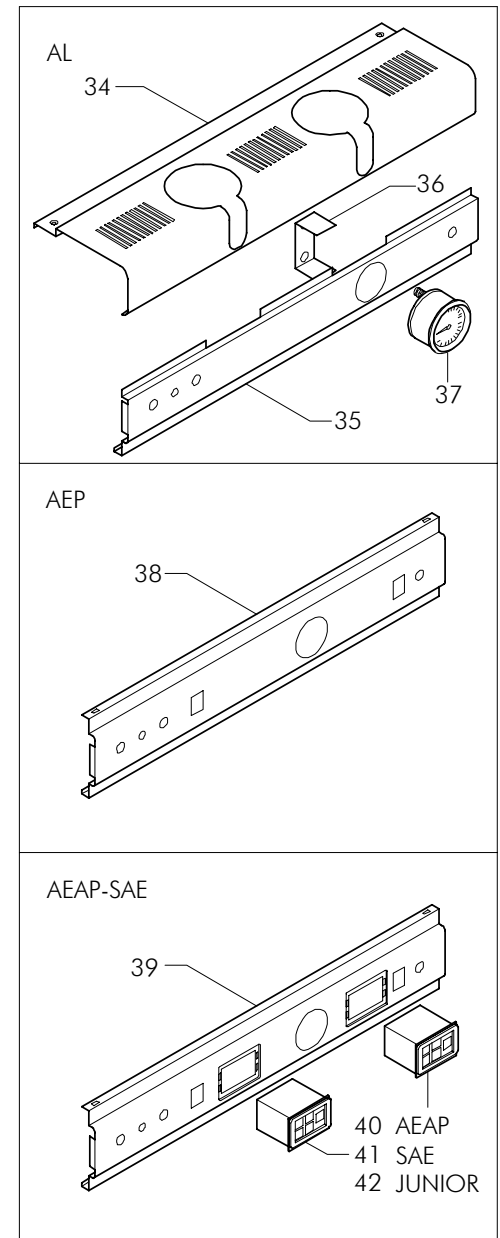
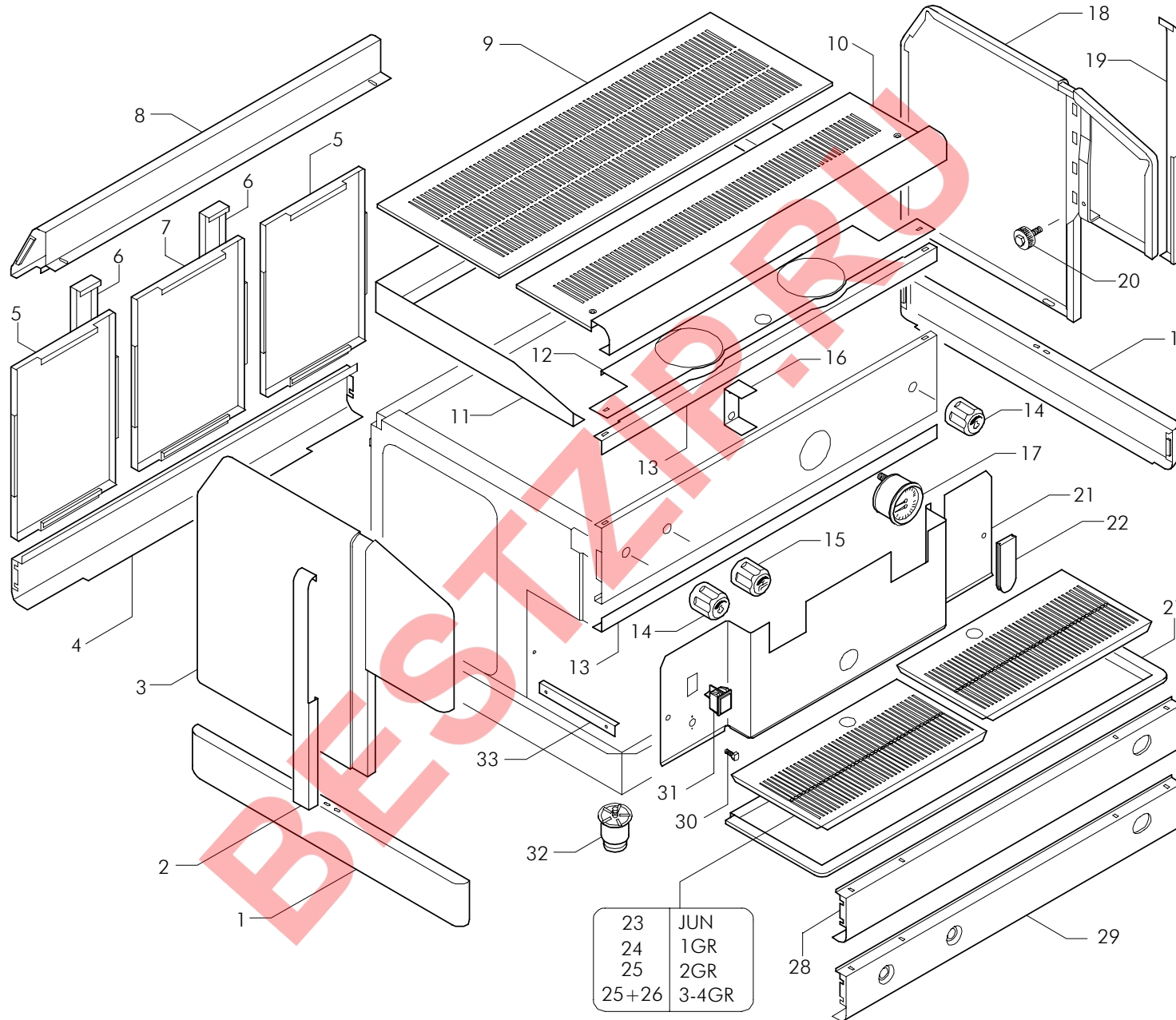
| Pos | Cod. | Denominazione - IT - | Denomination - GB - | Denomination - FR - | Denomination - DE - |
|-----|--------|--|--------------------------------------|--------------------------------------|-------------------------------------|
| 1 | 77455 | PROFILO BASAMENTO DESTRO-SINISTRO NERO/B | RH-LH BASE SECTION BLACK/PI | PROFIL BASE DX-SX NOIR/RECOU | GRUNDPROFIL RECHTS/LINKS SCHWA |
| 2 | 77495 | PROFILO FIANCO SINISTRO OTTONATO | SURROUND FOR LEFT SIDE BRASS | PROFILS POUR COTE GAUCHE LAITON | PROFIL FUR LINKE SEITE MESSING |
| 3 | 73131 | FIANCO SINISTRO MILLECOLORI | LEFT SIDE PANEL 1000COLOURS | COTE GAUCHE 1000COLOURS | LINKE SEITE TAUSENDFARBIG |
| 4 | 77472 | PROF.BAS.POST.1GR NERO/BUC | 1GR REAR BASE SECTION BLACK | PROFIL BASE POST. 1GR NOIR/R | HINTERGRUNDPROFIL1GR SCHWARZ/O |
| 4 | 77473 | PROF.BAS.POST.2GR NERO/BUC | 2GR REAR BASE SECTION BLACK | PROFIL BASE POST. 2GR NOIR/R | HINTER-GRUNDPROFIL.2GR SCHWARZ |
| 4 | 77474 | PROF.BAS.POST.3GR NERO/BUC | 3GR REAR BASE SECTION BLACK | PROFIL BASE POST. 3GR ARG. NOIR/R | HINTER-GRUNDPROFIL 3GR SCHWARZ |
| 4 | 77475 | PROF.BAS.POST.4GR NERO/BUC | 4GR REAR BASE SECTION BLACK | PROFIL BASE POST. 4GR NOIR | HINTER-GRUNDPROFIL 4GR SCHWARZ |
| 4 | 77476 | PROF.BAS.POST.JUN NERO/BUC | JUN REAR BASE SECTION BLACK | PROFIL BASE POST. JUN NOIR | HINTER-GRUNDPROFIL JUN SCHWARZ |
| 5 | 75276 | PANN.2-3-4GR MILLECOLORI ARGENTA | PANEL 2-3-4GR ARGENTA 1000COLOUR | PANNEAU 2-3-4GR ARGENTA 1000COULEUR | TAFEL 2-3-4-GR ARGENTA T.FARBIG |
| 6 | 77484 | PROFILO PANNELLO OTTONATO | SURROUND FOR PANEL BRASS | PROFILS POUR PANNEAU LAITON | PROFIL FUR TAFEL MESSING |
| 7 | 75270 | PANN.1-2-3-4GR MILLECOLORI | PANEL 1-2-3-4GR 1000COLOURS | PANNEAU 1-2-3-4GR 1000COUL. | TAFEL 1-2-3-4GR T.FARBIG |
| 7 | 75282 | PANN.JUN MILLECOLORI ARGENTA | PANEL JUN ARGENTA 1000COLOURS | PANNEAU JUN ARGENTA 1000COULEURS | TAFEL JUN ARGENTA TAUSENDFARBIG |
| 8 | 75515 | PANN.SUP.1GR MILLECOLORI ARGENTA | TOP PANEL 1GR ARGENTA M.COLOURS | PANNEAU SUP. 1GR ARGENTA M.COULEURS | OBERTAFEL 1GR ARGENTA T.FARBIG |
| 8 | 75521 | PANN.SUP.2GR MILLECOLORI ARGENTA | TOP PANEL 2GR ARGENTA M.COLOURS | PANNEAU SUP. 2GR ARGENTA M.COULEURS | OBERTAFEL 2GR ARGENTA T.FARBIG |
| 8 | 75527 | PANN.SUP.3GR MILLECOLORI ARGENTA | TOP PANEL 3GR ARGENTA M.COLOURS | PANNEAU SUP. 3GR ARGENTA M.COULEURS | OBERTAFEL 3GR ARGENTA T.FARBIG |
| 8 | 75533 | PANN.SUP.4GR MILLECOLORI ARGENTA | TOP PANEL 4GR ARGENTA M.COLOURS | PANNEAU SUP. 4GR ARGENTA M.COULEURS | OBERTAFEL 4GR ARGENTA T.FARBIG |
| 8 | 75539 | PANN.SUP.JUN.MILLECOLORI ARGENTA | TOP PANEL JUN ARGENTA M.COLOURS | PANNEAU SUP.JUN ARGENTA M.COULEURS | OBERTAFEL JUN ARGENTA T.FARBIG |
| 9 | 76601 | GRIGLIA SUP.JUNIOR ARGENTA INOX LUC | TOP GRATE JUNIOR ARGENTA S.STEEL | GRILLE SUP. JUNIOR ARGENTA INOX | OBERGITTER JUNIOR ARGENTA STAHL |
| 9 | 76602 | GRIGLIA SUP.1GR ARGENTA INOX LUC. | TOP GRATE 1GR ARGENTA S.STEEL | GRILLE SUP.1GR ARGENTA INOX | OBERGITTER 1GR ARGENTA STAHL |
| 9 | 76603 | GRIGLIA SUP.2GR ARGENTA INOX LUC. | TOP GRATE 2GR ARGENTA S.STEEL | GRILLE SUP.2GR ARGENTA INOX | OBERGITTER 2GR ARGENTA STAHL |
| 9 | 76604 | GRIGLIA SUP.3GR ARGENTA INOX LUC. | TOP GRATE 3GR ARGENTA S.STEEL | GRILLE SUP.3GR ARGENTA INOX | OBERGITTER 3GR ARGENTA STAHL |
| 9 | 76605 | GRIGLIA SUP.4GR ARGENTA INOX LUC. | TOP GRATE 4GR ARGENTA S.STEEL | GRILLE SUP.4GR ARGENTA INOX | OBERGITTER 4GR ARGENTA STAHL |
| 10 | 72720 | COPRIGRUPPO ER.JUN.ARGENTA INOX LUC | GROUP-COVER DISTR.JUN ARG. -S.STEEL | COUVRE-GROUPE DEBIT JUN ARG. -INOX | GRUPPENDECKEL AUSG.JUN ARG. -STAHL |
| 10 | 72721 | COPRIGRUPPO ER.1GR ARGENTA INOX LUC | GROUP COVER DISTR.1GR ARG. -S.STEEL | COUVRE-GROUPE DEBIT 1GR ARG. -INOX | GRUPPENDECKEL AUSG.1GR ARG. -STAHL |
| 10 | 72722 | COPRIGRUPPO ER.2GR ARGENTA INOX LUC | GROUP-COVER DISTR.2GR ARG. -S.STEEL | COUVRE-GROUPE DEBIT 2GR ARG. -INOX | GRUPPENDECKEL AUSG.2GR ARG. -STAHL |
| 10 | 72723 | COPRIGRUPPO ER.3GR ARGENTA INOX LUC | GROUP-COVER DISTR.3GR ARG. -S.STEEL | COUVRE-GROUPE DEBIT 3GR ARG. -INOX | GRUPPENDECKEL AUSG.3GR ARG. - STAHL |
| 10 | 72724 | COPRIGRUPPO ER.4GR ARGENTA INOX LUC | GROUP-COVER DISTR.4GR ARG. - S.STEEL | COUVRE-GROUPE DEBIT 4GR ARG. - INOX | GRUPPENDECKEL AUSG.4GR ARG. - STAHL |
| 11 | 771970 | PROF.SUP.JUN.ARGENTA INOX LUC. | S.STEEL TOP SECTION JUN ARGENTA | PROFILS SUP. INOX JUN ARGENTA | STAHL-OBERUMRANDUNG JUN ARGENTA |
| 11 | 771971 | PROF.SUP.1GR ARGENTA INOX LUC. | S.STEEL TOP SECTION 1GR ARGENTA | PROFILS SUP. INOX 1GR ARGENTA | STAHL-OBERUMRANDUNG 1GR ARGENTA |
| 11 | 771972 | PROF.SUP.2GR ARGENTA INOX LUC. | S.STEEL TOP SECTION 2GR ARGENTA | PROFILS SUP. INOX 2GR ARGENTA | STAHL-OBERUMRANDUNG 2GR ARGENTA |
| 11 | 771973 | PROF.SUP.3GR ARGENTA INOX LUC. | S.STEEL TOP SECTION 3GR ARGENTA | PROFILS SUP. INOX 3GR ARGENTA | STAHL-OBERUMRANDUNG 3GR ARGENTA |
| 11 | 771974 | PROF.SUP.4GR ARGENTA INOX LUC. | S.STEEL TOP SECTION 4GR ARGENTA | PROFILS SUP. INOX 4GR ARGENTA | STAHL-OBERUMRANDUNG 4GR ARGENTA |
| 12 | 77274 | COPRIMPIANTO JUNIOR | CABLE-COVER JUNIOR | COUVRE-CABLAGE JUNIOR | VERDRAHTUNGDECKEL JUNIOR |
| 12 | 77275 | COPRIMPIANTO 1GR | CABLE-COVER 1GR | COUVRE-CABLAGE 1GR | VERDRAHTUNGDECKEL 1GR |
| 12 | 77276 | COPRIMPIANTO 2GR | CABLE-COVER 2GR | COUVRE-CABLAGE 2GR | VERDRAHTUNGDECKEL 2GR |
| 12 | 77277 | COPRIMPIANTO 3GR | CABLE-COVER 3GR | COUVRE-CABLAGE 3GR | VERDRAHTUNGDECKEL 3GR |
| 12 | 77278 | COPRIMPIANTO 4GR | CABLE-COVER 4GR | COUVRE-CABLAGE 4GR | VERDRAHTUNGDECKEL 4GR |
| 13 | 775701 | PROF.FRONT.1GR OTTONATO ARGENTA | SURROUND X PANEL 1GR ARGENTA BRASS | PROFILS X PANNEAU 1GR ARGENTA LAITON | PROFIL X TAFEL 1GR ARGENTA MESSING |
| 13 | 775711 | PROF.FRONT 2GR OTTONATO ARGENTA | SURROUND X PANEL 2GR ARGENTA BRASS | PROFILS X PANNEAU 2GR ARGENTA LAIT. | PROFIL X TAFEL 2GR ARGENTA MESSING |



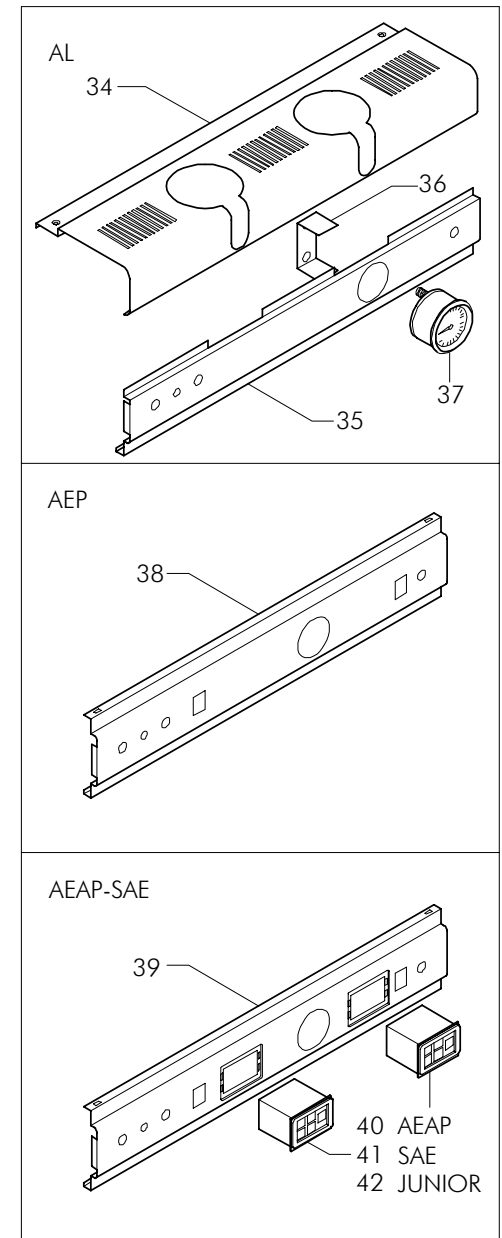
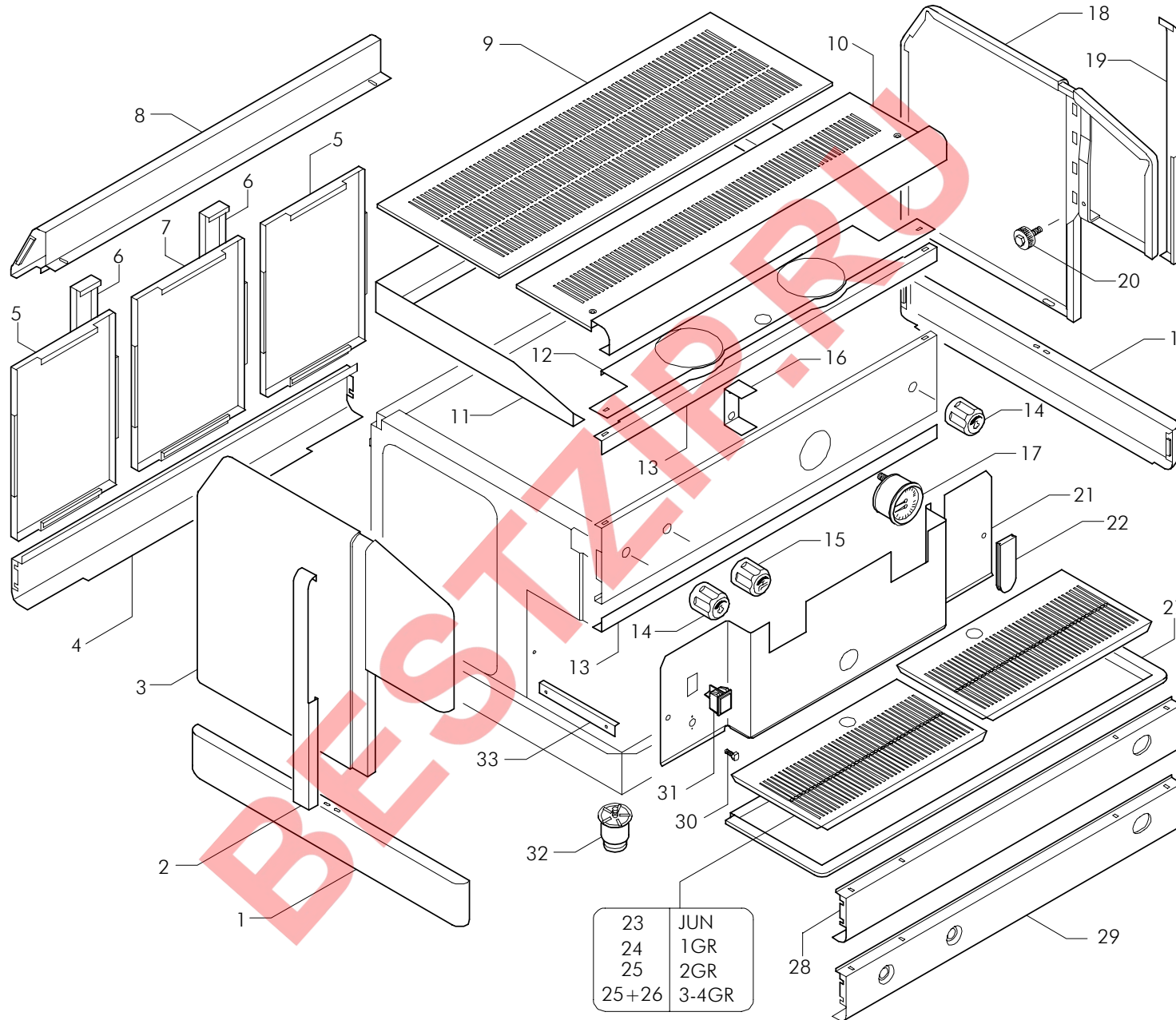
| Pos | Cod. | Denominazione - IT - | Denomination - GB - | Denomination - FR - | Denomination - DE - |
|-----|----------|---|---|------------------------------------|-------------------------------------|
| 13 | 775721 | PROF.FRONT.3GR OTTONATO ARGENTA | SURROUND X PANEL 3GR ARGENTA BRASS | PROFILXPANNEAU 3GR ARGENTA LAITON | PROFIL X TAFEL 3GR ARGENTA MESSING |
| 13 | 775731 | PROF.FRONT.4GR OTTONATO ARGENTA | SURROUND X PANEL 4GR ARGENTA BRASS | PROFILSXPANNEAU 4GR ARGENTA LAITON | PROFIL X TAFEL 4GR ARGENTA MESSING |
| 13 | 775741 | PROF.FRONT.JUN.OTTONATO ARGENTA | SURROUND X PANEL JUN ARGENTA BRASS | PROFILSXPANNEAU JUN ARGENTA LAITON | PROFIL X TAFEL JUN ARGENTA MESSING |
| 14 | 15265 | MANOPOLA RUBINETTO VAPORE | STEAM TAP KNOB | POIGNEE ROBINET VAPEUR | DAMPFHAHNGRIFF |
| 15 | 15264 | MANOPOLA RUBINETTO H2O | WATER TAP KNOB | POIGNEE ROBINET EAU | WASSERHAHNGRIFF |
| 16 | 60110 | SUPPORTO MANOMETRO ER | GAUGE SUPPORT - DISTRIBUTION | SUPPORT MANOMETRE - DEBIT | MANOMETERHALTER - AUSGABE |
| 17 | 21100 | MANOMETRO D.SCALA "A" INOX | PRESSURE GAUGE 'A' -STAINLESS STEEL | MANOMETRE 'A' - INOX | MANOMETER 'A' - STAHL |
| 18 | 73140 | FIANCO DESTRO MILLECOLORI | RIGHT SIDE PANEL 1000COLOUR | COTE DROIT 1000COULEURS | RECHTE SEITE TAUSENDFARBIG |
| 19 | 77490 | PROFILO FIANCO DESTRO OTTONATO | RIGHT SIDE STRIP BRASS | PROFILS POUR COTE DROIT LAITON | PROFIL FUR RECHTE SEITE MESSING |
| 20 | 23100 | POMELLO FISSAGGIO FIANCHETTO FE/Z | SIDE FIXING SCREW FE/Z | POMMEAU DE FIXAGE FE/Z | BEFESTIGUNGSGRIFF FE/Z |
| 21 | 77840 | COPRICALDAIA JUN INOX/LUC | S.STEEL BOILER COVER JUN ARG. | COUVRE-CHAUDIERE INOX JUN ARG. | STAHLKESSELDECKEL JUN ARG. |
| 21 | 77841 | COPRICALDAIA 1GR INOX LUC. | S.STEEL BOILER COVER 1GR | COUVRE-CHAUDIERE INOX 1GR | KESSELDECKEL 1GR STAHL |
| 21 | 77842 | COPRICALDAIA 2GR INOX LUC. | S.STEEL BOILER COVER 2GR | COUVRE-CHAUDIERE INOX 2GR | KESSELDECKEL 2GR STAHL |
| 21 | 77843 | COPRICALDAIA 3GR INOX LUC. | S.STEEL BOILER COVER 3GR | COUVRE-CHAUDIERE INOX 3GR | KESSELDECKEL 3GR STAHL |
| 21 | 77844 | COPRICALDAIA 4GR INOX LUC. | S.STEEL BOILER COVER 4GR | COUVRE-CHAUDIERE INOX 4GR | STAHLKESSELDECKEL 4GR |
| 22 | 21200 | SEGNALIVELLO OVE TUV INCOLORE | LEVEL INDICATOR WINDOW OVE-TUV | INDICATEUR DE NIVEAU OVE-TUV | NIVEAUANZEIGER OVE-TUV |
| 23 | 76152000 | GRIGLIA INF.WN01 INOX LUC.316X201 | LOWER GRILL 316X201 - SHINY S.STEEL | GRILLE INF.INOX 316X201 | STAHL-UNTERGITTER 316X201 |
| 24 | 76153000 | GRIGLIA INF.WN01 INOX LUC.456X201 | LOWER GRILL 456X201 SHINY S.STEEL | GRILLE INF.INOX 456X201 | STAHL-UNTERGITTER 456X201 |
| 25 | 76154000 | GRIGLIA INF.DX WN01 IN/LUC.338.5X201 | RIGHT LOWER GRILL -SHINY S.STEEL | GRILLE INF.DROIT INOX 338,5X201 | STAHL-UNTER-RECHTEGITTER 338,5X201 |
| 25 | 76155000 | GRIGLIA INF.SX WN01 IN/LUC.338.5X201 | LEFT LOWER GRILL - SHINY S.STEEL | GRILLE INF.GAUCHE INOX 338,5X201 | STAHL-UNTER-LINKEGITTER 338,5X201 |
| 26 | 76156000 | GRIGLIA INF.WN01 INOX LUC. 253X201 | LOWER GRILL 253X201 - SHINY S.STEEL | GRILLE INF.INOX 253X201 | STAHL-UNTERGITTER 253X201 |
| 27 | 76094 | BACINELLA JUN INOX LUCIDO | TRAY JUN S.STEEL | CUVE JUN INOX | STAHLSCHALE JUN |
| 28 | 77460 | PROF.BAS.ANT.1GR AR/WN NERO/BUC | FRONT BASE SURROUND 1GR ARG.BLACK | PROFILS BASE ANT.1GR ARG.NOIR | STIRN-GRUNDPROFIL 1GR ARG.SCHWARZ |
| 28 | 77461 | PROF.BAS.ANT.2GR AR/WN NERO/BUC | FRONT BASE SURROUND 2GR ARG.BLACK | PROFILS BASE ANT.2GR ARG.NOIR | STIRN-GRUNDPROFIL 2GR ARG.SCHWARZ |
| 28 | 77462 | PROF.BAS.ANT.3GR AR/WN NERO/BUC | FRONT BASE SURROUND 3GR ARG.BLACK | PROFILS BASE ANT.3GR ARG.NOIR | STIRN-GRUNDPROFIL 3GR ARG.SCHWARZ |
| 28 | 77463 | PROF.BAS.ANT.4GR AR/WN NERO/BUC | FRONT BASE SURROUND 4GR ARG.BLACK | PROFILS BASE ANT.4GR ARG.NOIR | STIRN-GRUNDPROFIL 4GR ARG.SCHWARZ |
| 28 | 77464 | PROF.BAS.ANT.JUN.AR/WN NERO/BUC | FRONT BASE SURROUND JUN ARG.BLACK | PROFILS BASE ANT. JUN ARG.NOIR | STIRN-GRUNDPROFIL JUN ARG.SCHWARZ |
| 29 | 774561 | PROF.BAS.ANT.1GR AR/WN NERO/BUC GAS | BASE SURROUND 1GR ARG.BLACK X GAS | PROFILS BASE 1GR ARG.NOIR X GAZ | GRUNDPROFIL 1GR ARG.SCHWARZ X GAS |
| 29 | 774562 | PROF.BAS.ANT.2GR AR/WN NERO/BUC GAS | BASE SURROUND 2GR ARG.BLACK X GAS | PROFILS BASE 2GR ARG.NOIR X GAZ | GRUNDPROFIL 2GR ARG.SCHWARZ X GAS |
| 29 | 774563 | PROF.BAS.ANT.3GR AR/WN NERO/BUC GAS | BASE SURROUND 3GR ARG.BLACK X GAS | PROFILS BASE 3GR ARG.NOIR X GAZ | GRUNDPROFIL 3GR ARG.SCHWARZ X GAS |
| 29 | 774564 | PROF.BAS.ANT.4GR AR/WN NERO/BUC GAS | BASE SURROUND 4GR ARG.BLACK X GAS | PROFILS BASE 4GR ARG.NOIR X GAZ | GRUNDPROFIL 4GR ARG.SCHWARZ X GAS |
| 30 | 23420 | VITE TE OTTONE M6X12 NICHELATA | M6X12NICKEL-PLATED BRASS HEX.HEAD SCREW | VIS TH LAITON M6X12 NICKEL | SECHSKANTSCHRAUBE AUS MESSING M6X12 |
| 31 | 15486002 | TAPPO FORO INTERRUPTORE | SWITCH HOLE PLUG | CAPUCHON TROU INTERRUPT. | ABDECKUNG SCHALTERLOCH |
| 32 | 15315 | PIEDINO REGOLAB. CROM. 435 9-15 ETL | CHROMED ADJUSTABLE FOOT 435 9-15 ET | PIED REGLABLE CHROME 435 9-15 ETL | REGELBARER FUSS CHROM 435 9-15 ETL |
| 32 | 15316 | PIEDINO REGOLABILE NERO CROM.435-PS3 | ADJUS.FOOT 435-PS3 BLACK-PI3.5 | PIED REGL.435-PS3 BLACK-PI3.5 | REGELBARFUSS 435-PS3 BLACK-PI3.5 |
| 33 | 77741 | GUIDA DESTRA-SINISTRA BACINELLA X TELAI | R-L BASIN GUIDE FOR FRAMES | GUIDE DX-SX CUVE X CHASSIS | FÜHRUNG RECHTS-LINKS SCHALE FÜR RAH |
| 34 | 72700 | COPRIGRUPPO AL/1 ARGENTA INOX LUC. | S.STEEL GROUP-COVER AL/1 ARGENTA | COUVRE-GROUPE INOX AL/1 ARGENTA | STAHL/GRUPPENDECKEL AL/1 ARGENTA |
| 34 | 72701 | COPRIGRUPPO AL/2 ARGENTA INOX LUC. | S.STEEL GROUP-COVER AL/2 ARGENTA | COUVRE-GROUPE INOX AL/2 ARGENTA | STAHL/GRUPPENDECKEL AL/2 ARGENTA |
| 34 | 72702 | COPRIGRUPPO AL/3 ARGENTA INOX LUC. | S.STEEL GROUP-COVER AL/3 ARGENTA | COUVRE-GROUPE INOX AL/3 ARGENTA | STAHL/GRUPPENDECKEL AL/3 ARGENTA |



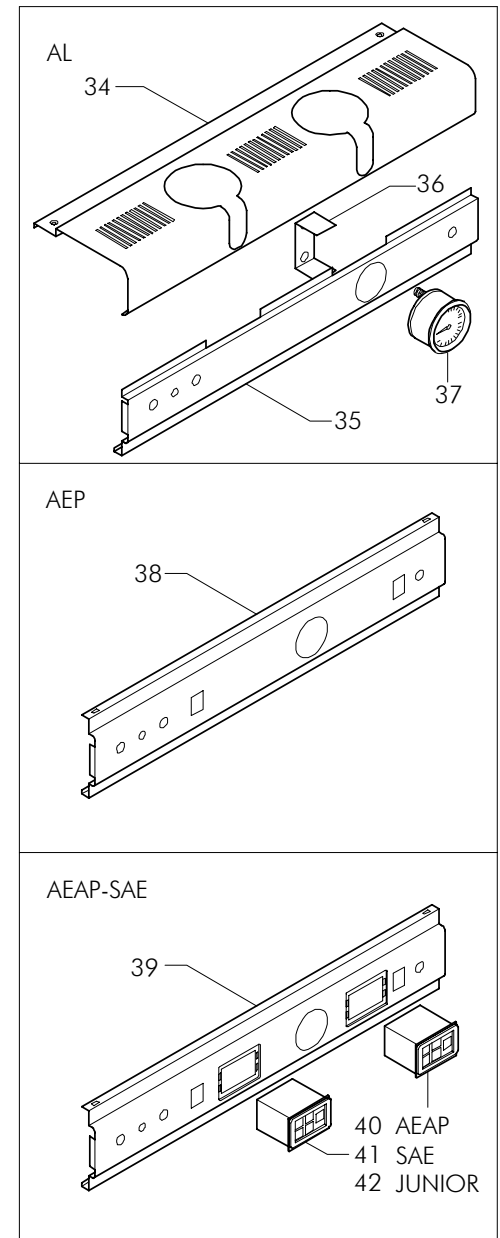
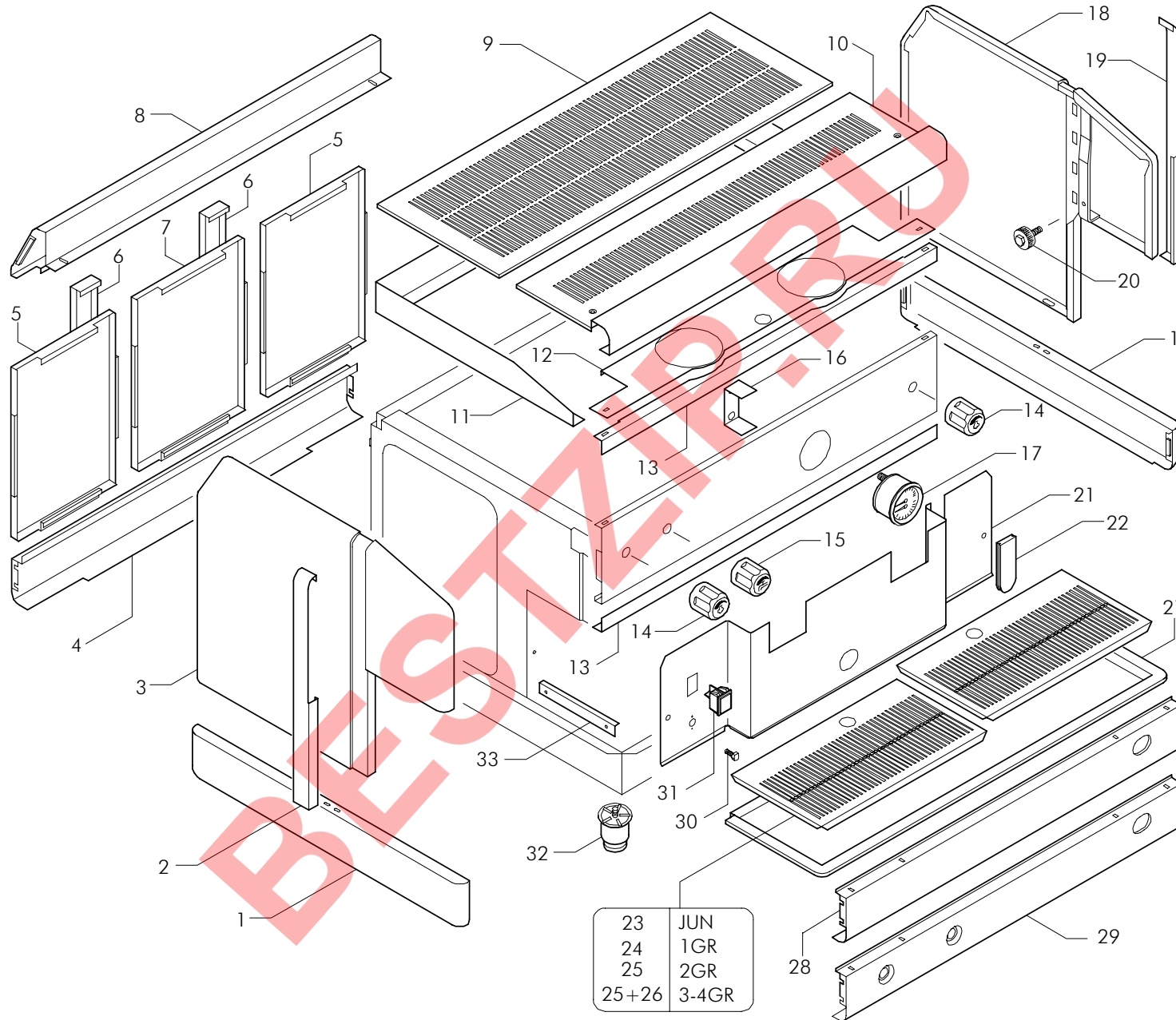
| Pos | Cod. | Denominazione - IT - | Denomination - GB - | Denomination - FR - | Denomination - DE - |
|-----|-------|------------------------------------|--|--|--------------------------------------|
| 34 | 72703 | COPRIGRUPPO AL/4 ARGENTA INOX LUC. | S. STEEL GROUP-COVER AL/4 ARGENTA | COUVRE-GROUPE INOX AL/4 ARGENTA | STAHL/GRUPPENDECKEL AL/4 ARGENTA |
| 35 | 70701 | FRONT.AL/1 ARG.1000C | FRONT PANEL AL/1 ARGENTA 1000COLOUR | PANNEAU AL/1 ARGENTA 1000 COULEURS | STIRNTAFEL AL/1 ARGENTA T.FARBIG |
| 35 | 70711 | FRONT.AL/2 ARG.1000C | FRONT PANEL AL/2 ARGENTA 1000COLOUR | PANNEAU AL/2 ARGENTA 1000 COULEURS | STIRNTAFEL AL/2 ARGENTA T.FARBIG |
| 35 | 70721 | FRONT.AL/3 ARG.1000C | FRONT PANEL AL/3 ARGENTA 1000COLOUR | PANNEAU AL/3 ARGENTA 1000 COULEURS | STIRNTAFEL AL/3 ARGENTA T.FARBIG |
| 35 | 70731 | FRONT.AL/4 ARG.1000C | FRONT PANEL AL/4 ARGENTA 1000COLOUR | PANNEAU AL/4 ARGENTA 1000 COULEURS | STIRNTAFEL AL/4 ARGENTA T.FARBIG |
| 36 | 60115 | SUPPORTO MANOMETRO AL | GAUGE SUPPORT - AL | SUPPORT MANOMETRE - AL | MANOMETERHALTER - AL |
| 37 | 21101 | MANOMETRO 3 ATM "B" INOX | STEEL PRESSURE GAUGE 3 ATM "B" | MANOMETRE INOX 3 ATM "B" | STAHLMANOMETER 3 ATM "B" |
| 38 | 70741 | FRONT.AEP/1 ARG.1000C | FRONT PANEL AEP/1 ARGENTA 1000 COL. | PANNEAU FRONTAL AEP/1 ARGENTA 1000C | STIRNTAFEL AEP/1 ARGENTA T.FARBIG |
| 38 | 70751 | FRONT.AEP/2 ARG.1000C | FRONT PANEL AEP/2 ARGENTA 1000 COL. | PANNEAU FRONTAL AEP/2 ARGENTA 1000C | STIRNTAFEL AEP/2 ARGENTA T.FARBIG |
| 38 | 70756 | FRONT.AEP/2 ARG.1000C SC.TZ | FRONT PANEL AEP/2 X C.W.ARG.M.COL. | PANNEAU FRONT.AEP/2 X C-T ARG.M.COL | STIRNTAFEL AEP/2 X T.W. ARG.T.FARB. |
| 38 | 70761 | FRONT.AEP/3 ARG.1000C | FRONT PANEL AEP/3 ARGENTA 1000 COL. | PANNEAU FRONTAL AEP/3 ARGENTA 1000C | STIRNTAFEL AEP/3 ARGENTA T.FARBIG |
| 38 | 70766 | FRONT.AEP/3 ARG.1000C SCTV | FRONT PANEL AEP/3 X C.W. ARG.M.COL. | PANNEAU FRONT.AEP/3 X C-T ARG.M.COL | STIRNTAFEL AEP/3 X T.W. ARG.T.FARB. |
| 38 | 70771 | FRONT.AEP/4 ARG.1000C | FRONT PANEL AEP/4 ARGENTA 1000 COL. | PANNEAU FRONTAL AEP/4 ARGENTA 1000C | STIRNTAFEL AEP/4 ARGENTA T.FARBIG |
| 38 | 70776 | FRONT.AEP/4 ARG.1000C SCTV | FRONT PANEL AEP/4 X C.W. 1000 COL. | PANNEAU FRONTAL AEP/4 X C.T. 1000 C | STIRNTAFEL AEP/4 X T.W. T.FARBIG |
| 38 | 70781 | FRONT.AEP/JUN.ARG.1000C | FRONT PANEL AEP/JUN ARGENTA 1000 C. | PANNEAU FRON.AEP/JUN ARGENTA 1000C. | STIRNTAFEL AEP/JUN ARGENTA T.FARBIG |
| 38 | 70786 | FRONT.AEP/JUN.ARG.1000C M.I. | FRONT PANEL AEP/JUN ARGENTA 1000 C. | PANN.FRONT. AEP/JUN ARGENTA 1000 C. | STIRNTAFEL AEP/JUN ARGENTA 1000 F. |
| 39 | 70791 | FRONT.AEAP/SAE 1GR ARG.1000C | PANEL AEAP/SAE 1GR ARGENTA 1000 COL | PANNEAU AEAP/SAE 1GR ARGENTA 1000C. | TAFEL AEAP/SAE 1GR ARGENTA T.FARBIG |
| 39 | 70801 | FRONT.AEAP/SAE 2GR ARG.1000C | PANEL AEAP/SAE 2GR ARGENTA 1000COL. | PANNEAU AEAP/SAE 2GR ARGENTA 1000C. | TAFEL AEAP/SAE 2GR ARGENTA T.FARBIG |
| 39 | 70806 | FRONT.AEAP/SAE 2GR ARG.1000C SCTV | FRONT PANEL AEAP/SAE X CW ARG.M.COL | PANNEAU FRONT.AEAP/SAE X CT ARG.M.C | STIRNTAFEL AEAP/SAE X TW ARG.T.FARB |
| 39 | 70811 | FRONT.AEAP/SAE 3GR ARG.1000C | PANEL AEAP/SAE 3GR ARGENTA 1000COL. | PANNEAU AEAP/SAE 3GR ARGENTA 1000C. | TAFEL AEAP/SAE 3GR ARGENTA T.FARBIG |
| 39 | 70816 | FRONT.AEAP/SAE 3GR ARG.1000C SCTV | FR.PANEL AEAP/SAE 3GRXCW ARG.M.COL. | PANN.FRONT.AEAP/SAE 3GRXCT ARG.M.CO | STIRNTAFEL AEAP/SAE 3GRXTW ARG.T.FA |
| 39 | 70821 | FRONT.AEAP-SAE/4 ARG.1000C | PANEL AEAP/SAE 4GR ARGENTA 1000COL. | PANNEAU AEAP/SAE 4GR ARGENTA 1000C. | TAFEL AEAP/SAE 4GR ARGENTA T.FARBIG |
| 39 | 70826 | FRONT.AEAP-SAE/4 ARG.1000C SCTV | FRONT PANEL AEAP-SAE/4 X C.W. 1000COL. | PANNEAU FRONT. AEAP-SAE/4 X CT 1000 C. | STIRNTAFEL AEAP-SAE/4 XT.W. T.FARBIG |
| 39 | 70831 | FRONT.AEAP/SAE JUN.ARG.1000C | PANEL AEAP/SAE JUN ARGENTA 1000COL. | PANNEAU AEAP/SAE JUN ARGENTA 1000C. | TAFEL AEAP/SAE JUN ARGENTA T.FARBIG |
| 39 | 70836 | FRONT.AEAP/SAE JUN.ARG.1000C M.I | FRONT PANEL AEAP/SAE JUN AR 1000 C. | PANN.FRONT. AEAP/SAE JUN AR 1000 C. | STIRNTAFEL AEAP/SAE JUN AR 1000 F. |
| 40 | 21274 | TIMER 220/240V AEA 97 922051 | TIMER 220/240V | TIMER 220/240V | TIMER 220/240V |
| 40 | 21275 | TIMER 110/120V MOD.97 CON AEA CMA | TIMER 110/120V | TIMER 110/120V | TIMER 110/120V |
| 41 | 18354 | PULSANTIERA 4T+1 X MICRO 991063 | TOUCH PAD 4T+1 FOR MICRO 991063 | CLAVIER A TOUCHES 4T+1 MICRO 991063 | DRUCKKNOPFTAFEL 4T+1 MICRO 991063 |
| 42 | 18365 | PULS.TH SAE JUN 220V 951735 *97 | TOUCH PAD "TH" SAE JUN 220V 951605 | CLAVIER "TH" SAE JUN 220V 951605 | DRUCKKNOPFTAFEL "TH" SAE JUN 220V |
| 42 | 18366 | PULS.TH SAE JUN 110V 951736 *97 | TOUCH PAD "TH" SAE JUN 110V 951637 | CLAVIER "TH" SAE JUN 110V 951637 | DRUCKKNOPFTAFEL "TH" SAE JUN 110V |



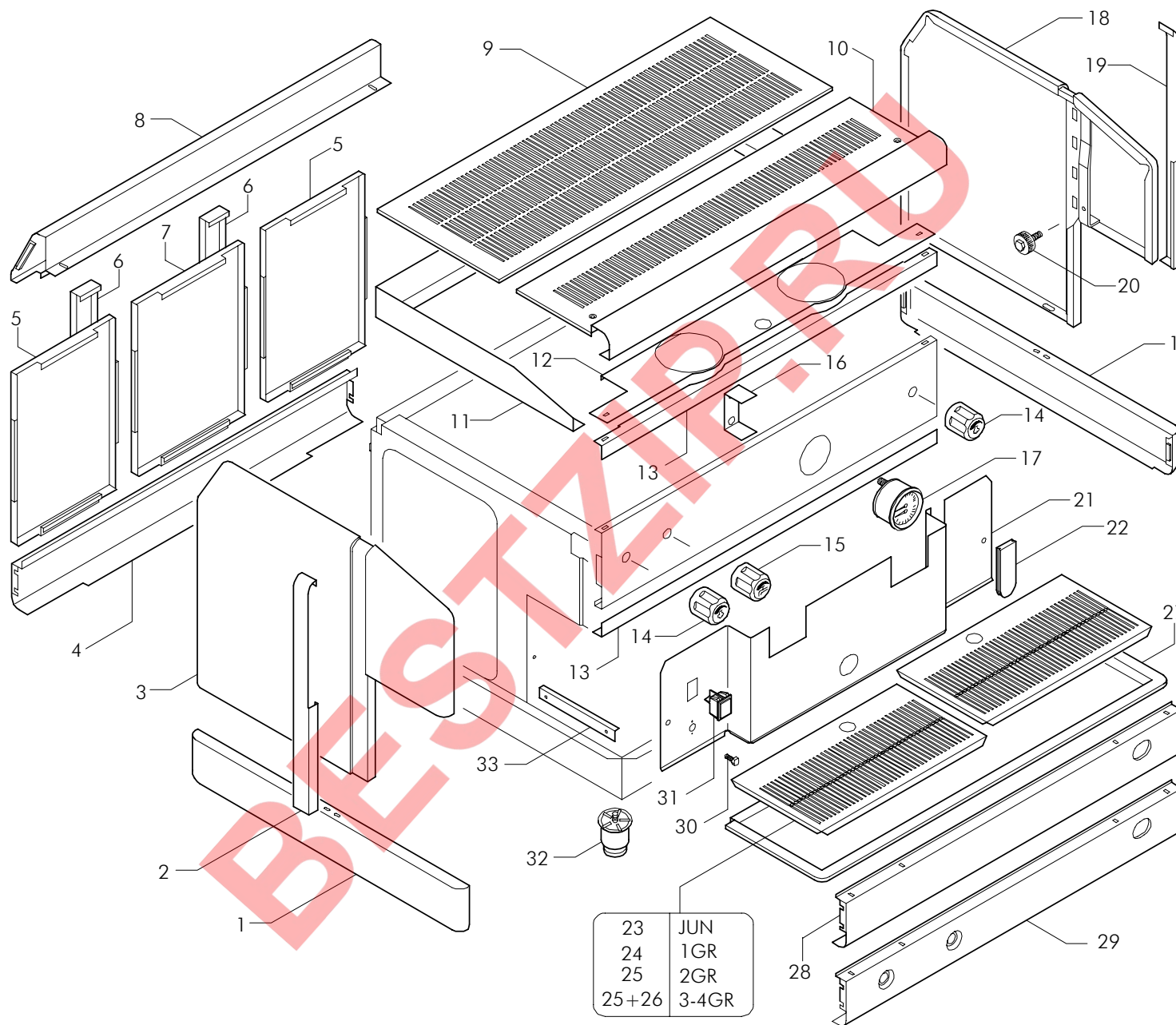
| Pos | Cod. | Denominazione - IT - | Denomination - GB - | Denomination - FR - | Denomination - DE - |
|-----|--------|--|--|-------------------------------------|--------------------------------------|
| 1 | 77455 | PROFILO BASAMENTO DESTRO-SINISTRO NERO/B | RH-LH BASE SECTION BLACK/PI | PROFIL BASE DX-SX NOIR/RECOU | GRUNDPROFIL RECHTS/LINKS SCHWA |
| 2 | 77496 | PROF. FIANCO SX ARGENTA NERO/B | LEFT SIDE STRIP ARG. BLACK | PROFILS POUR COTE GAUCHE ARG. NOIR | PROFIL FUR LINKE SEITE ARG. SCHWARZ |
| 3 | 73132 | FIANCO SX ARGENTA ROSA | LEFT SIDE PANEL ARGENTA PINK | COTE GAUCHE ARGENTA ROSE | LINKE SEITE ARGENTA ROSA |
| 4 | 77472 | PROF. BAS. POST. 1GR NERO/BUC | 1GR REAR BASE SECTION BLACK | PROFIL BASE POST. 1GR NOIR/R | HINTERGRUNDPROFIL 1GR SCHWARZ/O |
| 4 | 77473 | PROF. BAS. POST. 2GR NERO/BUC | 2GR REAR BASE SECTION BLACK | PROFIL BASE POST. 2GR NOIR/R | HINTER-GRUNDPROFIL 2GR SCHWARZ |
| 4 | 77474 | PROF. BAS. POST. 3GR NERO/BUC | 3GR REAR BASE SECTION BLACK | PROFIL BASE POST. 3GR ARG. NOIR/R | HINTER-GRUNDPROFIL 3GR SCHWARZ |
| 4 | 77475 | PROF. BAS. POST. 4GR NERO/BUC | 4GR REAR BASE SECTION BLACK | PROFIL BASE POST. 4GR NOIR | HINTER-GRUNDPROFIL 4GR SCHWARZ |
| 4 | 77476 | PROF. BAS. POST. JUN NERO/BUC | JUN REAR BASE SECTION BLACK | PROFIL BASE POST. JUN NOIR | HINTER-GRUNDPROFIL JUN SCHWARZ |
| 5 | 75277 | PANN. 2-3-4GR ROSA ARGENTA | PANEL 2-3-4GR ARGENTA PINK | PANNEAU 2-3-4GR ARGENTA ROSE | TAFEL 2-3-4-GR ARGENTA ROSA |
| 6 | 77485 | PROF. PANN. NERO/BUC ARGENTA | PANEL STRIP ARGENTA - BLACK | PROFILS POUR PANNEAU ARG. - NOIR | PROFIL FUR TAFEL ARGENTA - SCHWARZ |
| 7 | 75271 | PANN. 1-2-3-4GR ROSA ARGENTA | PANEL 1-2-3-4GR ARGENTA PINK | PANNEAU 1-2-3-4GR ARGENTA ROSE | TAFEL 1-2-3-4GR ARGENTA ROSA |
| 7 | 75283 | PANN. JUN ROSA ARGENTA | PANEL JUN ARGENTA PINK | PANNEAU JUN ARGENTA ROSE | TAFEL JUN ARGENTA ROSA |
| 8 | 75516 | PANN. SUP. 1GR NERO/BUC ARGENTA | TOP PANEL 1GR ARGENTA - BLACK | PANNEAU SUP. 1GR ARGENTA - NOIR | OBERTAFEL 1GR ARGENTA - SCHWARZ |
| 8 | 75522 | PANN. SUP. 2GR NERO/BUC ARGENTA | TOP PANEL 2GR ARGENTA - BLACK | PANNEAU SUP. 2GR ARGENTA - NOIR | OBERTAFEL 2GR ARGENTA - SCHWARZ |
| 8 | 75528 | PANN. SUP. 3GR NERO/BUC ARGENTA | TOP PANEL 3GR ARGENTA - BLACK | PANNEAU SUP. 3GR ARGENTA - NOIR | OBERTAFEL 3GR ARGENTA - SCHWARZ |
| 8 | 75534 | PANN. SUP. 4GR. NERO/BUC ARGENTA | TOP PANEL 4GR ARGENTA - BLACK | PANNEAU SUP. 4GR ARGENTA - NOIR | OBERTAFEL 4GR ARGENTA - SCHWARZ |
| 8 | 75540 | PANN. SUP. JUN NERO/BUC ARGENTA | TOP PANEL JUN ARGENTA - BLACK | PANNEAU SUP. JUN ARGENTA - NOIR | OBERTAFEL JUN ARGENTA - SCHWARZ |
| 9 | 76601 | GRIGLIA SUP. JUNIOR ARGENTA INOX LUC | TOP GRATE JUNIOR ARGENTA S. STEEL | GRILLE SUP. JUNIOR ARGENTA INOX | OBERGITTER JUNIOR ARGENTA STAHL |
| 9 | 76602 | GRIGLIA SUP. 1GR ARGENTA INOX LUC. | TOP GRATE 1GR ARGENTA S. STEEL | GRILLE SUP. 1GR ARGENTA INOX | OBERGITTER 1GR ARGENTA STAHL |
| 9 | 76603 | GRIGLIA SUP. 2GR ARGENTA INOX LUC. | TOP GRATE 2GR ARGENTA S. STEEL | GRILLE SUP. 2GR ARGENTA INOX | OBERGITTER 2GR ARGENTA STAHL |
| 9 | 76604 | GRIGLIA SUP. 3GR ARGENTA INOX LUC. | TOP GRATE 3GR ARGENTA S. STEEL | GRILLE SUP. 3GR ARGENTA INOX | OBERGITTER 3GR ARGENTA STAHL |
| 9 | 76605 | GRIGLIA SUP. 4GR ARGENTA INOX LUC. | TOP GRATE 4GR ARGENTA S. STEEL | GRILLE SUP. 4GR ARGENTA INOX | OBERGITTER 4GR ARGENTA STAHL |
| 10 | 72720 | COPRIGRUPPO ER. JUN. ARGENTA INOX LUC | GROUP-COVER DISTR. JUN ARG. -S. STEEL | COUVRE-GROUPE DEBIT JUN ARG. - INOX | GRUPPENDECKEL AUSG. JUN ARG. -STAHL |
| 10 | 72721 | COPRIGRUPPO ER. 1GR ARGENTA INOX LUC | GROUP COVER DISTR. 1GR ARG. -S. STEEL | COUVRE-GROUPE DEBIT 1GR ARG. - INOX | GRUPPENDECKEL AUSG. 1GR ARG. -STAHL |
| 10 | 72722 | COPRIGRUPPO ER. 2GR ARGENTA INOX LUC | GROUP-COVER DISTR. 2GR ARG. -S. STEEL | COUVRE-GROUPE DEBIT 2GR ARG. - INOX | GRUPPENDECKEL AUSG. 2GR ARG. -STAHL |
| 10 | 72723 | COPRIGRUPPO ER. 3GR ARGENTA INOX LUC | GROUP-COVER DISTR. 3GR ARG. -S. STEEL | COUVRE-GROUPE DEBIT 3GR ARG. - INOX | GRUPPENDECKEL AUSG. 3GR ARG. - STAHL |
| 10 | 72724 | COPRIGRUPPO ER. 4GR ARGENTA INOX LUC | GROUP-COVER DISTR. 4GR ARG. - S. STEEL | COUVRE-GROUPE DEBIT 4GR ARG. - INOX | GRUPPENDECKEL AUSG. 4GR ARG. - STAHL |
| 11 | 771970 | PROF. SUP. JUN. ARGENTA INOX LUC. | S. STEEL TOP SECTION JUN ARGENTA | PROFILS SUP. INOX JUN ARGENTA | STAHL-OBERUMRANDUNG JUN ARGENTA |
| 11 | 771971 | PROF. SUP. 1GR ARGENTA INOX LUC. | S. STEEL TOP SECTION 1GR ARGENTA | PROFILS SUP. INOX 1GR ARGENTA | STAHL-OBERUMRANDUNG 1GR ARGENTA |
| 11 | 771972 | PROF. SUP. 2GR ARGENTA INOX LUC. | S. STEEL TOP SECTION 2GR ARGENTA | PROFILS SUP. INOX 2GR ARGENTA | STAHL-OBERUMRANDUNG 2GR ARGENTA |
| 11 | 771973 | PROF. SUP. 3GR ARGENTA INOX LUC. | S. STEEL TOP SECTION 3GR ARGENTA | PROFILS SUP. INOX 3GR ARGENTA | STAHL-OBERUMRANDUNG 3GR ARGENTA |
| 11 | 771974 | PROF. SUP. 4GR ARGENTA INOX LUC. | S. STEEL TOP SECTION 4GR ARGENTA | PROFILS SUP. INOX 4GR ARGENTA | STAHL-OBERUMRANDUNG 4GR ARGENTA |
| 12 | 77274 | COPRIMPIANTO JUNIOR | CABLE-COVER JUNIOR | COUVRE-CABLAGE JUNIOR | VERDRAHTUNGDECKEL JUNIOR |
| 12 | 77275 | COPRIMPIANTO 1GR | CABLE-COVER 1GR | COUVRE-CABLAGE 1GR | VERDRAHTUNGDECKEL 1GR |
| 12 | 77276 | COPRIMPIANTO 2GR | CABLE-COVER 2GR | COUVRE-CABLAGE 2GR | VERDRAHTUNGDECKEL 2GR |
| 12 | 77277 | COPRIMPIANTO 3GR | CABLE-COVER 3GR | COUVRE-CABLAGE 3GR | VERDRAHTUNGDECKEL 3GR |
| 12 | 77278 | COPRIMPIANTO 4GR | CABLE-COVER 4GR | COUVRE-CABLAGE 4GR | VERDRAHTUNGDECKEL 4GR |
| 13 | 775702 | PROF. FRONT. 1GR NERO/B ARGENTA | PANEL STRIP 1GR ARGENTA BLACK | PROFILSXPANNEAU 1GR ARGENTA NOIR | PROFILXTAFEL 1GR ARGENTA SCHWARZ |
| 13 | 775712 | PROF. FRONT. 2GR NERO/B ARGENTA | SURROUND X PANEL 2GR ARGENTA BLACK | PROFILS X PANNEAU 2GR ARGENTA NOIR | PROFIL X TAFEL 2GR ARGENTA SCHWARZ |



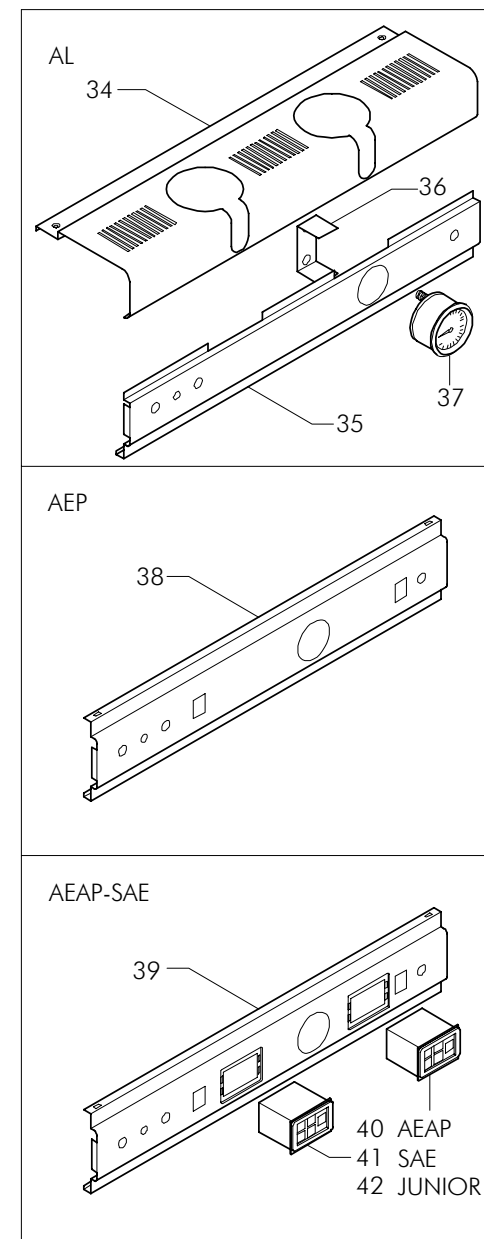
| Pos | Cod. | Denominazione - IT - | Denomination - GB - | Denomination - FR - | Denomination - DE - |
|-----|----------|--------------------------------------|---|------------------------------------|-------------------------------------|
| 13 | 775722 | PROF.FRONT.3GR NERO/B ARGENTA | SURROUND X PANEL 3GR ARGENTA BLACK | PROFILS X PANNEAU 3GR ARGENTA NOIR | PROFIL X TAFEL 3GR ARGENTA SCHWARZ |
| 13 | 775732 | PROF.FRONT.4GR NERO/B ARGENTA | SURROUND X PANEL 4GR ARGENTA BLACK | PROFILS X PANNEAU 4GR ARGENTA NOIR | PROFIL X TAFEL 4GR ARGENTA SCHWARZ |
| 13 | 775742 | PROF.FRONT.JUN.NERO/B ARGENTA | SURROUND X PANEL JUN ARGENTA BLACK | PROFILS X PANNEAU JUN ARGENTA NOIR | PROFIL X TAFEL JUN ARGENTA SCHWARZ |
| 14 | 15265 | MANOPOLA RUBINETTO VAPORE | STEAM TAP KNOB | POIGNEE ROBINET VAPEUR | DAMPFHAHNGRIFF |
| 15 | 15264 | MANOPOLA RUBINETTO H2O | WATER TAP KNOB | POIGNEE ROBINET EAU | WASSERHAHNGRIFF |
| 16 | 60110 | SUPPORTO MANOMETRO ER | GAUGE SUPPORT - DISTRIBUTION | SUPPORT MANOMETRE - DEBIT | MANOMETERHALTER - AUSGABE |
| 17 | 21100 | MANOMETRO D.SCALA "A" INOX | PRESSURE GAUGE 'A' -STAINLESS STEEL | MANOMETRE 'A' - INOX | MANOMETER 'A' - STAHL |
| 18 | 73141 | FIANCO DX ARGENTA ROSA | RIGHT SIDE PANEL ARGENTA ROSE | COTE DROIT ARGENTA ROSE | RECHTE SEITE ARGENTA ROSA |
| 19 | 77491 | PROF.FIANCO DX ARGENTA NERO/B | RIGHT SIDE STRIP ARG. BLACK | PROFILS POUR COTE DROIT ARG. NOIR | PROFIL FUR RECHTE SEITE ARG.SCHWARZ |
| 20 | 23100 | POMELLO FISSAGGIO FIANCHETTO FE/Z | SIDE FIXING SCREW FE/Z | POMMEAU DE FIXAGE FE/Z | BEFESTIGUNGSGRIFF FE/Z |
| 21 | 77840 | COPRICALDAIA JUN INOX/LUC | S.STEEL BOILER COVER JUN ARG. | COUVRE-CHAUDIERE INOX JUN ARG. | STAHLKESSELDECKEL JUN ARG. |
| 21 | 77841 | COPRICALDAIA 1GR INOX LUC. | S.STEEL BOILER COVER 1GR | COUVRE-CHAUDIERE INOX 1GR | KESSELDECKEL 1GR STAHL |
| 21 | 77842 | COPRICALDAIA 2GR INOX LUC. | S.STEEL BOILER COVER 2GR | COUVRE-CHAUDIERE INOX 2GR | KESSELDECKEL 2GR STAHL |
| 21 | 77843 | COPRICALDAIA 3GR INOX LUC. | S.STEEL BOILER COVER 3GR | COUVRE-CHAUDIERE INOX 3GR | KESSELDECKEL 3GR STAHL |
| 21 | 77844 | COPRICALDAIA 4GR INOX LUC. | S.STEEL BOILER COVER 4GR | COUVRE-CHAUDIERE INOX 4GR | STAHLKESSELDECKEL 4GR |
| 22 | 21200 | SEGNALIVELLO OVE TUV INCOLORE | LEVEL INDICATOR WINDOW OVE-TUV | INDICATEUR DE NIVEAU OVE-TUV | NIVEAUANZEIGER OVE-TUV |
| 23 | 76152000 | GRIGLIA INF.WN01 INOX LUC.316X201 | LOWER GRILL 316X201 - SHINY S.STEEL | GRILLE INF.INOX 316X201 | STAHL-UNTERGITTER 316X201 |
| 24 | 76153000 | GRIGLIA INF.WN01 INOX LUC.456X201 | LOWER GRILL 456X201 SHINY S.STEEL | GRILLE INF.INOX 456X201 | STAHL-UNTERGITTER 456X201 |
| 25 | 76154000 | GRIGLIA INF.DX WN01 IN/LUC.338.5X201 | RIGHT LOWER GRILL -SHINY S.STEEL | GRILLE INF.DROIT INOX 338,5X201 | STAHL-UNTER-RECHTEGITTER 338,5X201 |
| 25 | 76155000 | GRIGLIA INF.SX WN01 IN/LUC.338.5X201 | LEFT LOWER GRILL - SHINY S.STEEL | GRILLE INF.GAUCHE INOX 338,5X201 | STAHL-UNTER-LINKEGITTER 338,5X201 |
| 26 | 76156000 | GRIGLIA INF.WN01 INOX LUC. 253X201 | LOWER GRILL 253X201 - SHINY S.STEEL | GRILLE INF.INOX 253X201 | STAHL-UNTERGITTER 253X201 |
| 27 | 76094 | BACINELLA JUN INOX LUCIDO | TRAY JUN S.STEEL | CUVE JUN INOX | STAHLSCHALE JUN |
| 27 | 76095 | BACINELLA 1GR INOX LUCIDO | 1GR GLOSSY STAINLESS STEEL | CUVE 1GR INOX BRILLANT | STAHLSCHALE 1GR |
| 27 | 76096 | BACINELLA 2GR INOX LUCIDO | 2GR GLOSSY STAINLESS STEEL | CUVE 2GR INOX BRILLANT | STAHLSCHALE 2GR |
| 27 | 76097 | BACINELLA 3GR INOX LUCIDO | 3GR GLOSSY STAINLESS STEEL | CUVE 3GR INOX BRILLANT | STAHLSCHALE 3GR |
| 27 | 76098 | BACINELLA 4GR INOX LUCIDO | 4GR GLOSSY STAINLESS STEEL | CUVE 4GR INOX BRILLANT | STAHLSCHALE 4GR |
| 28 | 77460 | PROF.BAS.ANT.1GR AR/WN NERO/BUC | FRONT BASE SURROUND 1GR ARG.BLACK | PROFILS BASE ANT.1GR ARG.NOIR | STIRN-GRUNDPROFIL 1GR ARG.SCHWARZ |
| 28 | 77461 | PROF.BAS.ANT.2GR AR/WN NERO/BUC | FRONT BASE SURROUND 2GR ARG.BLACK | PROFILS BASE ANT.2GR ARG.NOIR | STIRN-GRUNDPROFIL 2GR ARG.SCHWARZ |
| 28 | 77462 | PROF.BAS.ANT.3GR AR/WN NERO/BUC | FRONT BASE SURROUND 3GR ARG.BLACK | PROFILS BASE ANT.3GR ARG.NOIR | STIRN-GRUNDPROFIL 3GR ARG.SCHWARZ |
| 28 | 77463 | PROF.BAS.ANT.4GR AR/WN NERO/BUC | FRONT BASE SURROUND 4GR ARG.BLACK | PROFILS BASE ANT.4GR ARG.NOIR | STIRN-GRUNDPROFIL 4GR ARG.SCHWARZ |
| 28 | 77464 | PROF.BAS.ANT.JUN.AR/WN NERO/BUC | FRONT BASE SURROUND JUN ARG.BLACK | PROFILS BASE ANT. JUN ARG.NOIR | STIRN-GRUNDPROFIL JUN ARG.SCHWARZ |
| 29 | 774561 | PROF.BAS.ANT.1GR AR/WN NERO/BUC GAS | BASE SURROUND 1GR ARG.BLACK X GAS | PROFILS BASE 1GR ARG.NOIR X GAZ | GRUNDPROFIL 1GR ARG.SCHWARZ X GAS |
| 29 | 774562 | PROF.BAS.ANT.2GR AR/WN NERO/BUC GAS | BASE SURROUND 2GR ARG.BLACK X GAS | PROFILS BASE 2GR ARG.NOIR X GAZ | GRUNDPROFIL 2GR ARG.SCHWARZ X GAS |
| 29 | 774563 | PROF.BAS.ANT.3GR AR/WN NERO/BUC GAS | BASE SURROUND 3GR ARG.BLACK X GAS | PROFILS BASE 3GR ARG.NOIR X GAZ | GRUNDPROFIL 3GR ARG.SCHWARZ X GAS |
| 29 | 774564 | PROF.BAS.ANT.4GR AR/WN NERO/BUC GAS | BASE SURROUND 4GR ARG.BLACK X GAS | PROFILS BASE 4GR ARG.NOIR X GAZ | GRUNDPROFIL 4GR ARG.SCHWARZ X GAS |
| 30 | 23420 | VITE TE OTTONE M6X12 NICHELATA | M6X12NICKEL-PLATED BRASS HEX.HEAD SCREW | VIS TH LAITON M6X12 NICKEL | SECHSKANTSCHRAUBE AUS MESSING M6X12 |
| 31 | 15486002 | TAPPO FORO INTERRUPTORE | SWITCH HOLE PLUG | CAPUCHON TROU INTERRUPT. | ABDECKUNG SCHALTERLOCH |
| 32 | 15315 | PIEDINO REGOLAB.CROM.435 9-15 ETL | CHROMED ADJUSTABLE FOOT 435 9-15 ETL | PIED REGLABLE CHROME 435 9-15 ETL | REGELBARER FUSS CHROM 435 9-15 ETL |
| 32 | 15316 | PIEDINO REGOLABILE NERO CROM.435-PS3 | ADJUS.FOOT 435-PS3 BLACK-PI3.5 | PIED REGL.435-PS3 BLACK-PI3.5 | REGELBARFUSS 435-PS3 BLACK-PI3.5 |



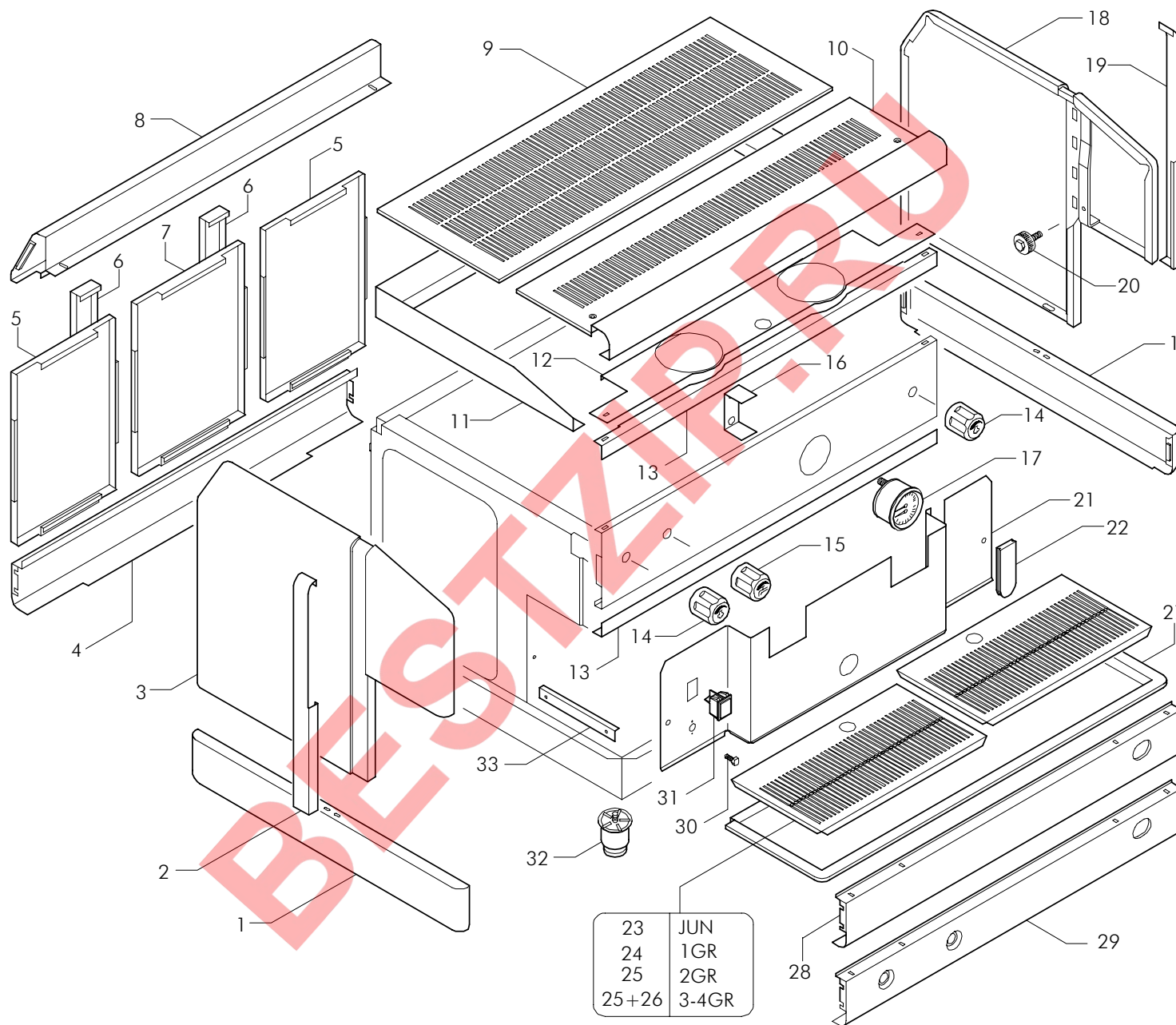
| Pos | Cod. | Denominazione - IT - | Denomination - GB - | Denomination - FR - | Denomination - DE - |
|-----|-------|---|------------------------------------|--------------------------------------|-------------------------------------|
| 33 | 77741 | GUIDA DESTRA-SINISTRA BACINELLA X TELAI | R-L BASIN GUIDE FOR FRAMES | GUIDE DX-SX CUVE X CHASSIS | FÜHRUNG RECHTS-LINKS SCHALE FÜR RAH |
| 34 | 72700 | COPRIGRUPPO AL/1 ARGENTA INOX LUC. | S. STEEL GROUP-COVER AL/1 ARGENTA | COUVRE-GROUPE INOX AL/1 ARGENTA | STAHL/GRUPPENDECKEL AL/1 ARGENTA |
| 34 | 72701 | COPRIGRUPPO AL/2 ARGENTA INOX LUC. | S. STEEL GROUP-COVER AL/2 ARGENTA | COUVRE-GROUPE INOX AL/2 ARGENTA | STAHL/GRUPPENDECKEL AL/2 ARGENTA |
| 34 | 72702 | COPRIGRUPPO AL/3 ARGENTA INOX LUC. | S. STEEL GROUP-COVER AL/3 ARGENTA | COUVRE-GROUPE INOX AL/3 ARGENTA | STAHL/GRUPPENDECKEL AL/3 ARGENTA |
| 34 | 72703 | COPRIGRUPPO AL/4 ARGENTA INOX LUC. | S. STEEL GROUP-COVER AL/4 ARGENTA | COUVRE-GROUPE INOX AL/4 ARGENTA | STAHL/GRUPPENDECKEL AL/4 ARGENTA |
| 35 | 70702 | FRONT .AL/1 ARG.ROSA | FRONT PANEL AL/1 ARGENTA PINK | PANNEAU FRONTAL AL/1 ARGENTA ROSE | STIRNTAFEL AL/1 ARGENTA ROSA |
| 35 | 70712 | FRONT .AL/2 ARG.ROSA | FRONT PANEL AL/2 ARGENTA PINK | PANNEAU FRONTAL AL/2 ARGENTA ROSE | STIRNTAFEL AL/2 ARGENTA ROSA |
| 35 | 70722 | FRONT .AL/3 ARG.ROSA | FRONT PANEL AL/3 ARGENTA PINK | PANNEAU FRONTAL AL/3 ARGENTA ROSE | STIRNTAFEL AL/3 ARGENTA ROSA |
| 35 | 70732 | FRONT .AL/4 ARG.ROSA | FRONT PANEL AL/4 ARGENTA PINK | PANNEAU FRONTAL AL/4 ARGENTA ROSE | STIRNTAFEL AL/4 ARGENTA ROSA |
| 36 | 60115 | SUPPORTO MANOMETRO AL | GAUGE SUPPORT - AL | SUPPORT MANOMETRE - AL | MANOMETERHALTER - AL |
| 37 | 21101 | MANOMETRO 3 ATM "B" INOX | STEEL PRESSURE GAUGE 3 ATM "B" | MANOMETRE INOX 3 ATM "B" | STAHLMANOMETER 3 ATM "B" |
| 38 | 70742 | FRONT .AEP/1 ARG.ROSA | FRONT PANEL AEP/1 ARGENTA PINK | PANNEAU FRONTAL AEP/1 ARGENTA ROSE | STIRNTAFEL AEP/1 ARGENTA ROSA |
| 38 | 70752 | FRONT .AEP/2 ARG.ROSA | FRONT PANEL AEP/2 ARGENTA PINK | PANNEAU FRONTAL AEP/2 ARGENTA ROSE | STIRNTAFEL AEP/2 ARGENTA ROSA |
| 38 | 70757 | FRONT .AEP/2 ARG.ROSA SCTV | FRONT PANEL AEP/2 X C.W. ARG.PINK | PANNEAU FRONT .AEP/2 X C-T ARG.ROSE | STIRNTAFEL AEP/2 X T.W. ARG.ROSA |
| 38 | 70762 | FRONT .AEP/3 ARG.ROSA | FRONT PANEL AEP/3 ARGENTA PINK | PANNEAU FRONTAL AEP/3 ARGENTA ROSE | STIRNTAFEL AEP/3 ARGENTA ROSA |
| 38 | 70767 | FRONT .AEP/3 ARG.ROSA SCTV | FRONT PANEL AEP/3 X C.W. ARG.PINK | PANNEAU FRONT .AEP/3 X C-T ARG.ROSE | STIRNTAFEL AEP/3 X T.W. ARG.ROSA |
| 38 | 70772 | FRONT .AEP/4 ARG.ROSA | FRONT PANEL AEP/4 ARGENTA PINK | PANNEAU FRONTAL AEP/4 ARGENTA ROSE | STIRNTAFEL AEP/4 ARGENTA ROSA |
| 38 | 70777 | FRONT .AEP/4 ARG.ROSA SCTV | FRONT PANEL AEP/4 X C.W. PINK | PANNEAU FRONTAL AEP/4 X C.T. ROSE | STIRNTAFEL AEP/4 X T.W. ROSA |
| 38 | 70782 | FRONT .AEP/JUN.ARG.ROSA | FRONT PANEL AEP/JUN ARGENTA PINK | PANNEAU FRONT . AEP/JUN ARGENTA ROSE | STIRNTAFEL AEP/JUN ARGENTA ROSA |
| 38 | 70787 | FRONT .AEP/JUN.ARG.ROSA M. I. | FRONT PANEL AEP/JUN ARGENTA PINK | PANN.FRONT. AEP/JUN ARGENTA ROSE | STIRNTAFEL AEP/JUN ARGENTA ROSA |
| 39 | 70792 | FRONT .AEAP/SAE 1GR ARG.ROSA | PANEL AEAP/SAE 1GR ARGENTA PINK | PANNEAU AEAP/SAE 1GR ARGENTA ROSE | TAFEL AEAP/SAE 1GR ARGENTA ROSA |
| 39 | 70802 | FRONT .AEAP/SAE 2GR ARG.ROSA | PANEL AEAP/SAE 2GR ARGENTA PINK | PANNEAU AEAP/SAE 2GR ARGENTA ROSE | TAFEL AEAP/SAE 2GR ARGENTA ROSA |
| 39 | 70807 | FRONT .AEAP/SAE 2GR ARG.ROSA SCTV | FR. PANEL AEAP/SAE 2GRXCW ARG.PINK | PANNEAU FRONT .AEAP/SAE 2GRXCT ARG.R | STIRNTAFEL AEAP/SAE 2GRXTW ARG.ROSA |
| 39 | 70812 | FRONT .AEAP/SAE 3GR ARG.ROSA | PANEL AEAP/SAE 3GR ARGENTA PINK | PANNEAU AEAP/SAE 3GR ARGENTA ROSE | TAFEL AEAP/SAE 3GR ARGENTA ROSA |
| 39 | 70817 | FRONT .AEAP/SAE 3GR ARG.ROSA SCTV | FR. PANEL AEAP/SAE 3GRXCW ARG.PINK | PANN.FRONT .AEAP/SAE 3GRXCT ARG.ROSE | STIRNTAFEL AEAP/SAE 3GRXTW ARG.ROSA |
| 39 | 70822 | FRONT .AEAP-SAE/4 ARG.ROSA | PANEL AEAP/SAE 4GR ARGENTA PINK | PANNEAU AEAP/SAE 4GR ARGENTA ROSE | TAFEL AEAP/SAE 4GR ARGENTA ROSA |
| 39 | 70827 | FRONT .AEAP-SAE/4 ARG.ROSA SCTV | FRONT PANEL AEAP-SAE/4 X C.W. PINK | PANNEAU AEAP-SAE/4 X C.T. ROSE | STIRNTAFEL AEAP-SAE/4 X T.W. ROSA |
| 39 | 70832 | FRONT .AEAP/SAE JUN.ARG.ROSA | PANEL AEAP/SAE JUN ARGENTA PINK | PANNEAU AEAP/SAE JUN ARGENTA ROSE | TAFEL AEAP/SAE JUN ARGENTA ROSA |
| 39 | 70837 | FRONT .AEAP/SAE JUN.ARG.ROSA M. I | FRONT PANEL AEAP/SAE JUN AR PINK | PANN.FRONT. AEAP/SAE JUN AR ROSE | STIRNTAFEL AEAP/SAE JUN AR ROSA |
| 40 | 21274 | TIMER 220/240V AEA 97 922051 | TIMER 220/240V | TIMER 220/240V | TIMER 220/240V |
| 40 | 21275 | TIMER 110/120V MOD.97 CON AEA CMA | TIMER 110/120V | TIMER 110/120V | TIMER 110/120V |
| 41 | 18354 | PULSANTIERA 4T+1 X MICRO 991063 | TOUCH PAD 4T+1 FOR MICRO 991063 | CLAVIER A TOUCHES 4T+1 MICRO 991063 | DRUCKKNOPFTAFEL 4T+1 MICRO 991063 |
| 42 | 18365 | PULS. TH SAE JUN 220V 951735 *97 | TOUCH PAD "TH" SAE JUN 220V 951605 | CLAVIER "TH" SAE JUN 220V 951605 | DRUCKKNOPFTAFEL "TH" SAE JUN 220V |
| 42 | 18366 | PULS. TH SAE JUN 110V 951736 *97 | TOUCH PAD "TH" SAE JUN 110V 951637 | CLAVIER "TH" SAE JUN 110V 951637 | DRUCKKNOPFTAFEL "TH" SAE JUN 110V |



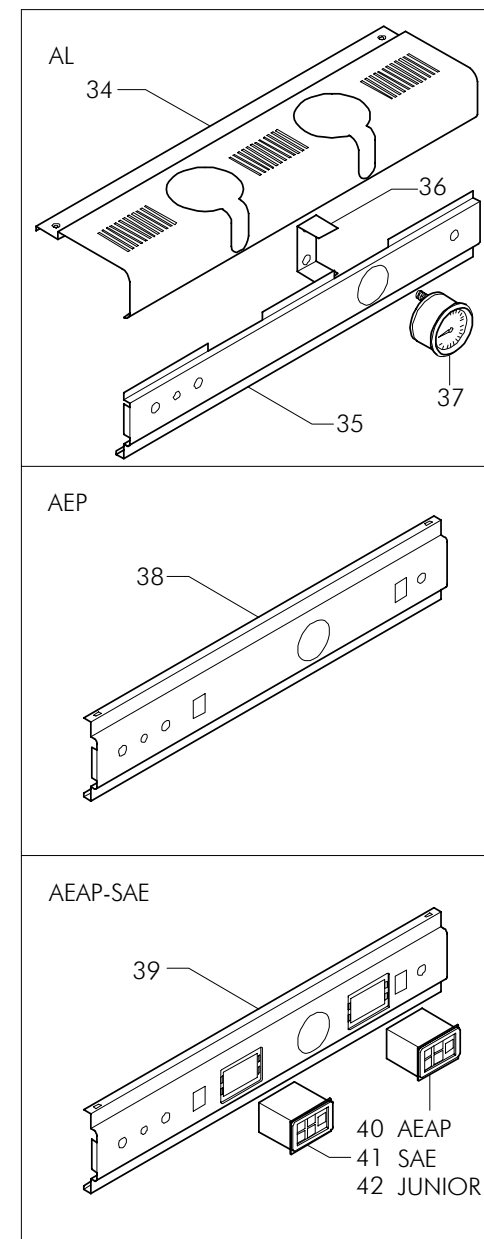
| | |
|-------|-------|
| 23 | JUN |
| 24 | 1GR |
| 25 | 2GR |
| 25+26 | 3-4GR |



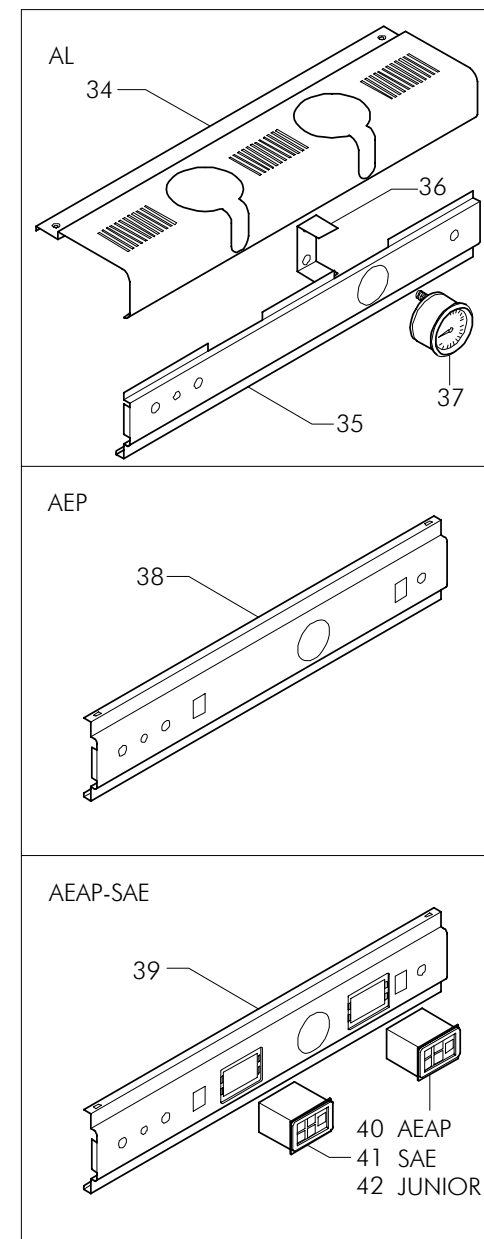
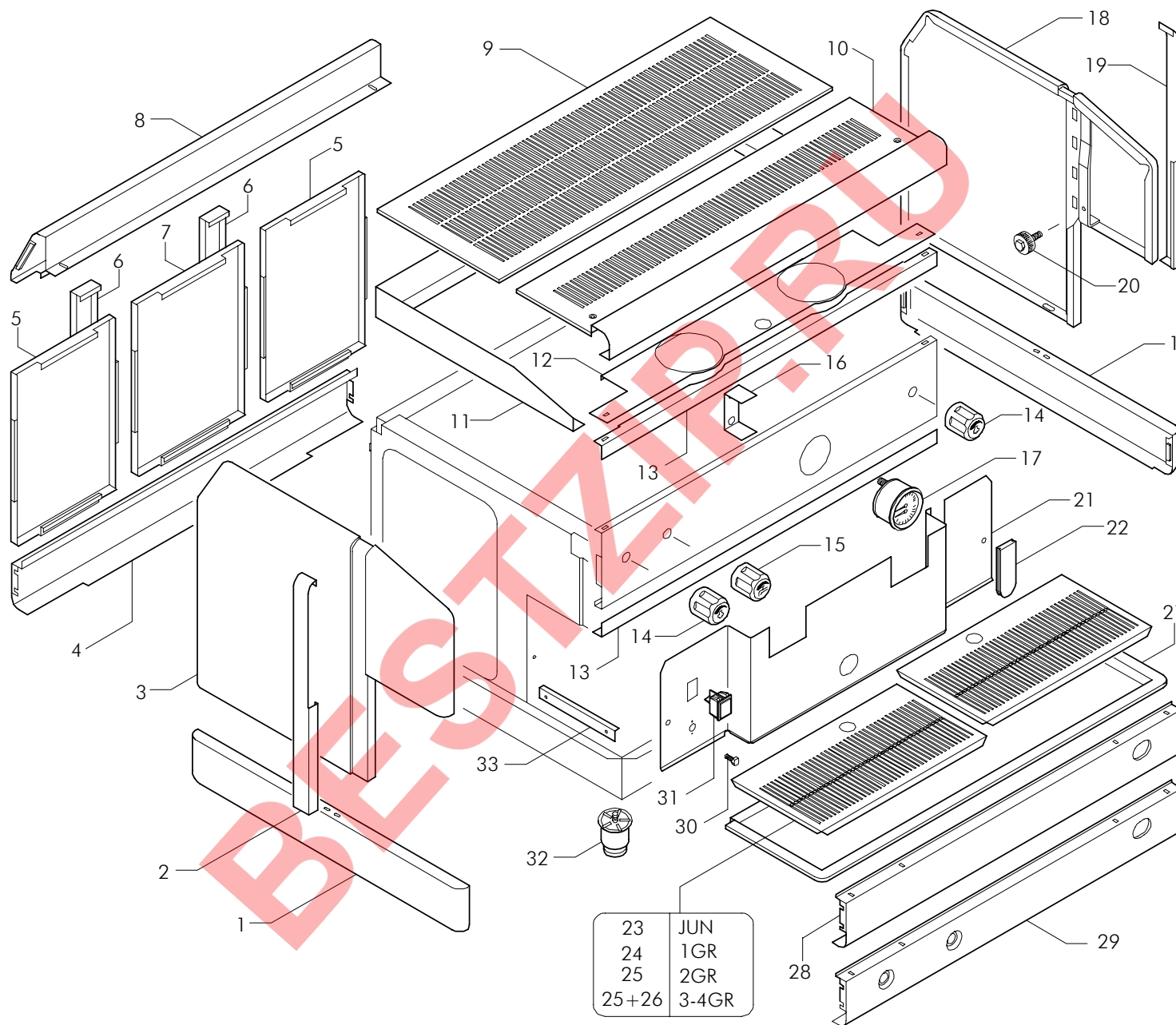
| Pos | Cod. | Denominazione - IT - | Denomination - GB - | Denomination - FR - | Denomination - DE - |
|-----|--------|-------------------------------------|-------------------------------------|-------------------------------------|-------------------------------------|
| 1 | 77456 | PROF.BAS.DX-SX AR/WN RAME | BASE SURROUND RIGHT/LEFT ARG.COPPER | PROFILS BASE DROIT/GAUCHE ARG.CUIV. | GRUNDPROFIL RECHT/LINK ARG.KUPFER |
| 2 | 77497 | PROF.FIANCO SX ARGENTA RAME | SURROUND FOR LEFT SIDE ARG.COPPER | PROFILS POUR COTE GAUCHE ARG.CUIVRE | PROFIL FUR LINKE SEITE ARG.KUPFER |
| 3 | 73133 | FIANCO SX ARGENTA OTTONE | LEFT SIDE PANEL ARGENTA BRASS | COTE GAUCHE ARGENTA LAITON | LINKE SEITE ARGENTA MESSING |
| 4 | 77478 | PROF.BAS.POST.1GR AR/WN RAME | BACK BASE SURROUND 1GR ARG. COPPER | PROFILS BASE POST. 1GR ARG. CUIVRE | HINTER-GRUNDPROFIL 1GR ARG. KUPFER |
| 4 | 77479 | PROF.BAS.POST.2GR AR/WN RAME | BACK BASE SURROUND 2GR ARG. COPPER | PROFILS BASE POST. 2GR ARG. CUIVRE | HINTER-GRUNDPROFIL 2GR ARG. KUPFER |
| 4 | 77480 | PROF.BAS.POST.3GR AR/WN RAME | BACK BASE SURROUND 3GR ARG. COPPER | PROFILS BASE POST. 3GR ARG. CUIVRE | HINTER-GRUNDPROFIL 3GR ARG. KUPFER |
| 4 | 77481 | PROF.BAS.POST.4GR AR/WN RAME | BACK BASE SURROUND 4GR ARG. COPPER | PROFILS BASE POST. 4GR ARG. CUIVRE | HINTER-GRUNDPROFIL 4GR ARG. KUPFER |
| 4 | 77482 | PROF.BAS.POST JUN.AR/WN RAME | BACK BASE SURROUND JUN ARG. COPPER | PROFILS BASE POST. JUN ARG. CUIVRE | HINTER-GRUNDPROFIL JUN ARG. KUPFER |
| 5 | 75278 | PANN.2-3-4GR OTTONE ARGENTA | PANEL 2-3-4GR ARGENTA BRASS | PANNEAU 2-3-4GR ARGENTA LAITON | TAFEL 2-3-4GR ARGENTA MESSING |
| 6 | 77486 | PROF.PANN.RAME ARGENTA | PANEL STRIP ARGENTA - COPPER | PROFILS POUR PANNEAU ARG. - CUIVRE | PROFIL FUR TAFEL ARGENTA - KUPFER |
| 7 | 75272 | PANN.1-2-3-4GR OTTONE ARGENTA | PANEL 1-2-3-4GR ARGENTA BRASS | PANNEAU 1-2-3-4GR ARGENTA LAITON | TAFEL 1-2-3-4GR ARGENTA MESSING |
| 7 | 75284 | PANN.JUN OTTONE ARGENTA | PANEL JUN ARGENTA BRASS | PANNEAU JUN ARGENTA LAITON | TAFEL JUN ARGENTA MESSING |
| 8 | 75517 | PANN.SUP.1GR OTTONE ARGENTA | TOP PANEL 1GR ARGENTA - BRASS | PANNEAU SUP. 1GR ARGENTA - LAITON | OBERTAFEL 1GR ARGENTA - MESSING |
| 8 | 75523 | PANN.SUP.2GR OTTONE ARGENTA | TOP PANEL 2GR ARGENTA - BRASS | PANNEAU SUP. 2GR ARGENTA - LAITON | OBERTAFEL 2GR ARGENTA - MESSING |
| 8 | 75529 | PANN.SUP.3GR OTTONE ARGENTA | TOP PANEL 3GR ARGENTA - BRASS | PANNEAU SUP. 3GR ARGENTA - LAITON | OBERTAFEL 3GR ARGENTA - MESSING |
| 8 | 75535 | PANN.SUP.4GR OTTONE ARGENTA | TOP PANEL 4GR ARGENTA - BRASS | PANNEAU SUP. 4GR ARGENTA - LAITON | OBERTAFEL 4GR ARGENTA - MESSING |
| 8 | 75541 | PANN.SUP.JUN OTTONE ARGENTA | TOP PANEL JUN ARGENTA - BRASS | PANNEAU SUP.JUN ARGENTA - LAITON | OBERTAFEL JUN ARGENTA - MESSING |
| 9 | 76601 | GRIGLIA SUP.JUNIOR ARGENTA INOX LUC | TOP GRATE JUNIOR ARGENTA S.STEEL | GRILLE SUP. JUNIOR ARGENTA INOX | OBERGITTER JUNIOR ARGENTA STAHL |
| 9 | 76602 | GRIGLIA SUP.1GR ARGENTA INOX LUC. | TOP GRATE 1GR ARGENTA S.STEEL | GRILLE SUP.1GR ARGENTA INOX | OBERGITTER 1GR ARGENTA STAHL |
| 9 | 76603 | GRIGLIA SUP.2GR ARGENTA INOX LUC. | TOP GRATE 2GR ARGENTA S.STEEL | GRILLE SUP.2GR ARGENTA INOX | OBERGITTER 2GR ARGENTA STAHL |
| 9 | 76604 | GRIGLIA SUP.3GR ARGENTA INOX LUC. | TOP GRATE 3GR ARGENTA S.STEEL | GRILLE SUP.3GR ARGENTA INOX | OBERGITTER 3GR ARGENTA STAHL |
| 9 | 76605 | GRIGLIA SUP.4GR ARGENTA INOX LUC. | TOP GRATE 4GR ARGENTA S.STEEL | GRILLE SUP.4GR ARGENTA INOX | OBERGITTER 4GR ARGENTA STAHL |
| 10 | 72725 | COPRIGRUPPO ER.JUN.ARGENTA OTTONE | GROUP-COVER DISTR.JUN ARG. - BRASS | COUVRE-GROUPE DEBIT JUN ARG.-LAITON | GRUPPENDECKEL AUSG.JUNA RG.-MESSING |
| 10 | 72726 | COPRIGRUPPO ER.1GR ARGENTA OTTONE | GROUP-COVER DISTR.1GR ARG.-BRASS | COUVRE-GROUPE DEBIT 1GR ARG.-LAITON | GRUPPENDECKEL AUSG.1GR ARG.-MESSING |
| 10 | 72727 | COPRIGRUPPO ER.2GR ARGENTA OTTONE | GROUP-COVER DISTR.2GR ARG.-BRASS | COUVRE-GROUPE DEBIT 2GR ARG.-LAITON | GRUPPENDECKEL AUSG.2GR ARG.-MESSING |
| 10 | 72728 | COPRIGRUPPO ER.3GR ARGENTA OTTONE | GROUP-COVER DISTR.3GR ARG.-BRASS | COUVRE-GROUPE DEBIT 3GR ARG.-LAITON | GRUPPENDECKEL AUSG.3GR ARG.-MESSING |
| 10 | 72729 | COPRIGRUPPO ER.4GR ARGENTA OTTONE | GROUP-COVER DISTR.4GR ARG.-BRASS | COUVRE-GROUPE DEBIT 4GR ARG.-LAITON | GRUPPENDECKEL AUSG.4GR ARG.-MESSING |
| 11 | 771970 | PROF.SUP.JUN.ARGENTA INOX LUC. | S.STEEL TOP SECTION JUN ARGENTA | PROFILS SUP. INOX JUN ARGENTA | STAHL-OBERUMRANDUNG JUN ARGENTA |
| 11 | 771971 | PROF.SUP.1GR ARGENTA INOX LUC. | S.STEEL TOP SECTION 1GR ARGENTA | PROFILS SUP. INOX 1GR ARGENTA | STAHL-OBERUMRANDUNG 1GR ARGENTA |
| 11 | 771972 | PROF.SUP.2GR ARGENTA INOX LUC. | S.STEEL TOP SECTION 2GR ARGENTA | PROFILS SUP. INOX 2GR ARGENTA | STAHL-OBERUMRANDUNG 2GR ARGENTA |
| 11 | 771973 | PROF.SUP.3GR ARGENTA INOX LUC. | S.STEEL TOP SECTION 3GR ARGENTA | PROFILS SUP. INOX 3GR ARGENTA | STAHL-OBERUMRANDUNG 3GR ARGENTA |
| 11 | 771974 | PROF.SUP.4GR ARGENTA INOX LUC. | S.STEEL TOP SECTION 4GR ARGENTA | PROFILS SUP. INOX 4GR ARGENTA | STAHL-OBERUMRANDUNG 4GR ARGENTA |
| 12 | 77274 | COPRIMPIANTO JUNIOR | CABLE-COVER JUNIOR | COUVRE-CABLAGE JUNIOR | VERDRAHTUNGDECKEL JUNIOR |
| 12 | 77275 | COPRIMPIANTO 1GR | CABLE-COVER 1GR | COUVRE-CABLAGE 1GR | VERDRAHTUNGDECKEL 1GR |
| 12 | 77276 | COPRIMPIANTO 2GR | CABLE-COVER 2GR | COUVRE-CABLAGE 2GR | VERDRAHTUNGDECKEL 2GR |
| 12 | 77277 | COPRIMPIANTO 3GR | CABLE-COVER 3GR | COUVRE-CABLAGE 3GR | VERDRAHTUNGDECKEL 3GR |
| 12 | 77278 | COPRIMPIANTO 4GR | CABLE-COVER 4GR | COUVRE-CABLAGE 4GR | VERDRAHTUNGDECKEL 4GR |
| 13 | 775703 | PROF.FRONT.1GR RAME ARGENTA | SURROUNDXPANEL 1GR ARGENTA COPPER | PROFILSX PANNEAU 1GR ARGENTA CUIVRE | PROFILXTAFEL 1GR ARGENTA KUPFER |
| 13 | 775713 | PROF.FRONT.2GR RAME ARGENTA | SURROUND X PANEL 2GR ARGENTA COPPER | PROFILSX PANNEAU 2GR ARGENTA CUIVRE | PROFIL X TAFEL 2GR ARGENTA KUPFER |



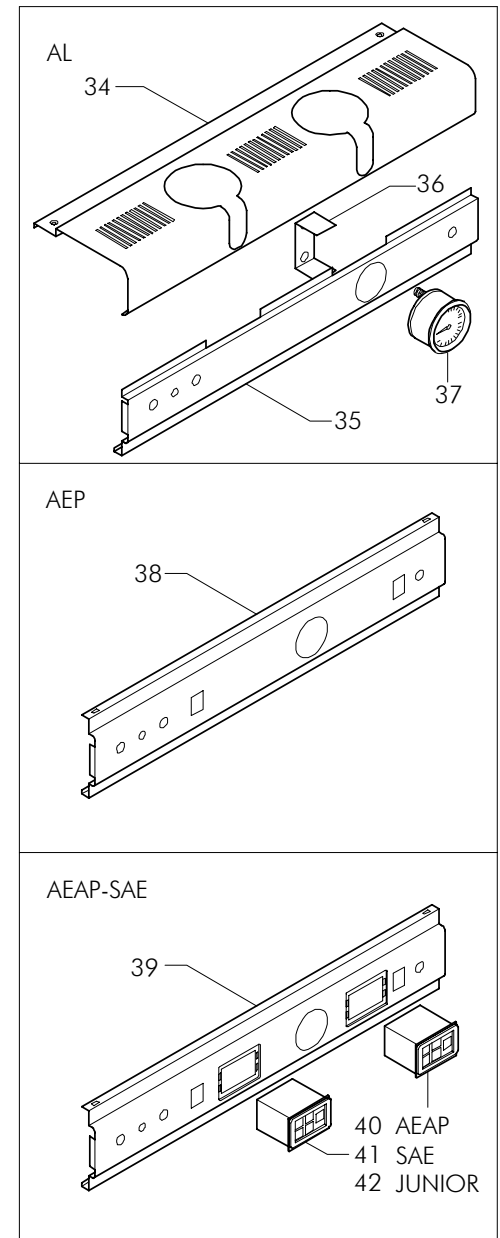
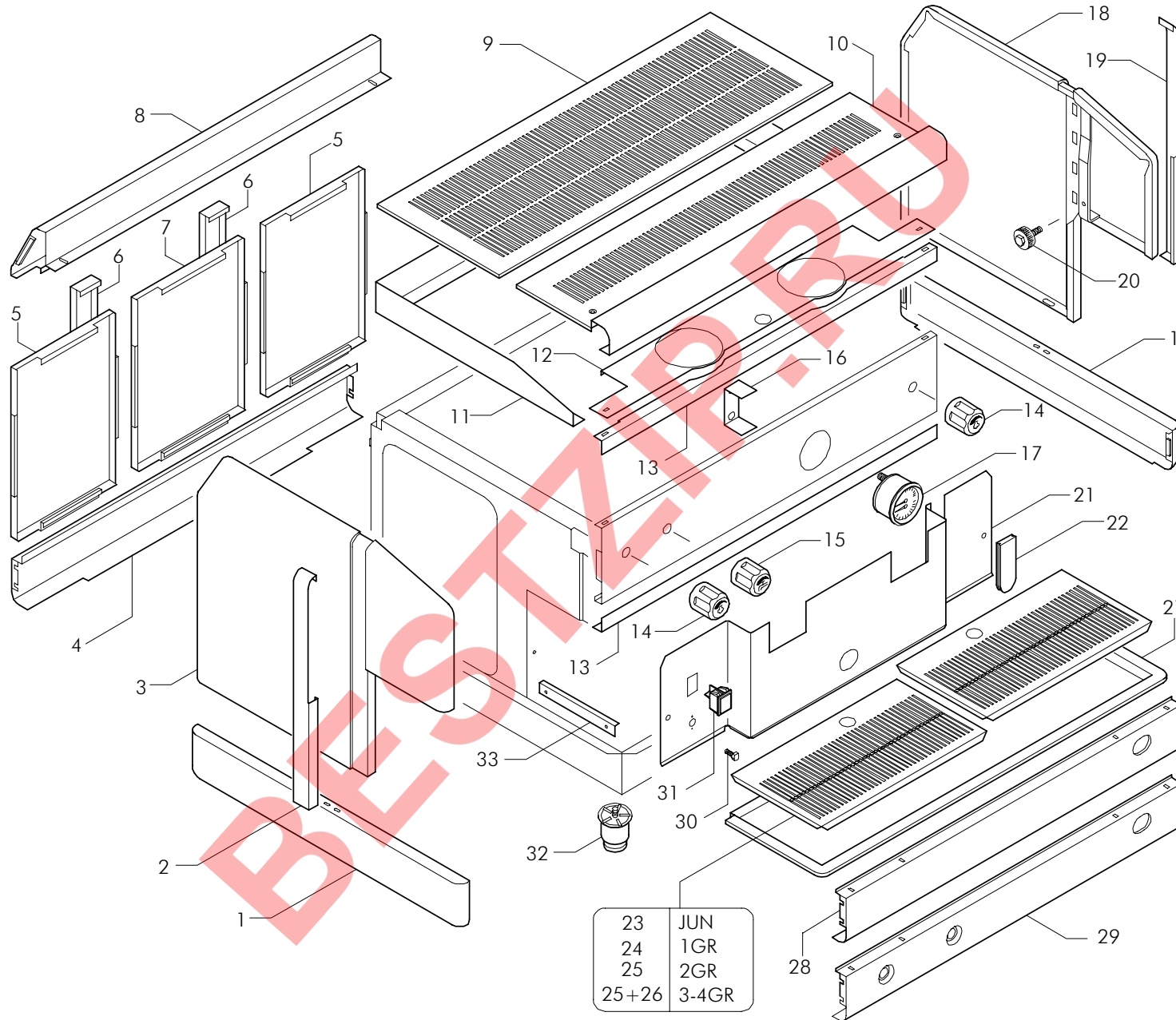
| | |
|-------|-------|
| 23 | JUN |
| 24 | 1GR |
| 25 | 2GR |
| 25+26 | 3-4GR |



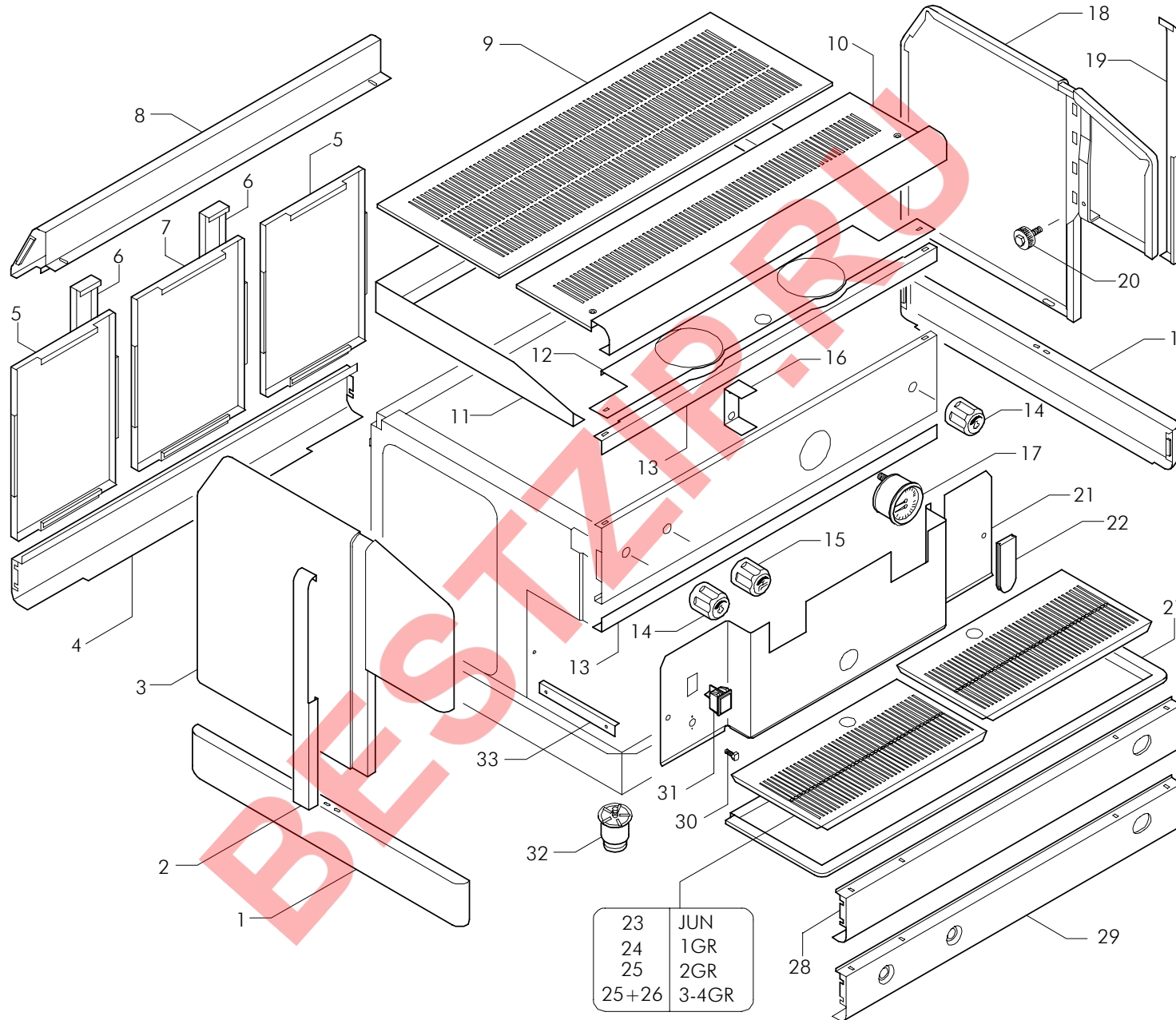
| Pos | Cod. | Denominazione - IT - | Denomination - GB - | Denomination - FR - | Denomination - DE - |
|-----|----------|--|--|-------------------------------------|-------------------------------------|
| 13 | 775723 | PROF. FRONT. 3GR RAME ARGENTA | SURROUND X PANEL 3GR ARGENTA COPPER | PROFILSX PANNEAU 3GR ARGENTA CUIVRE | PROFIL X TAFEL 3GR ARGENTA KUPFER |
| 13 | 775733 | PROF. FRONT. 4GR RAME ARGENTA | SURROUND X PANEL 4GR ARGENTA COPPER | PROFILSX PANNEAU 4GR ARGENTA CUIVRE | PROFIL X TAFEL 4GR ARGENTA KUPFER |
| 13 | 775743 | PROF. FRONT. JUN. RAME ARGENTA | SURROUND X PANEL JUN ARGENTA COPPER | PROFILSX PANNEAU JUN ARGENTA CUIVRE | PROFIL X TAFEL JUN ARGENTA KUPFER |
| 14 | 15265 | MANOPOLA RUBINETTO VAPORE | STEAM TAP KNOB | POIGNEE ROBINET VAPEUR | DAMPFHAHNRIFF |
| 15 | 15264 | MANOPOLA RUBINETTO H2O | WATER TAP KNOB | POIGNEE ROBINET EAU | WASSERHAHNRIFF |
| 16 | 60110 | SUPPORTO MANOMETRO ER | GAUGE SUPPORT - DISTRIBUTION | SUPPORT MANOMETRE - DEBIT | MANOMETERHALTER - AUSGABE |
| 17 | 21104 | MANOMETRO D. SCALA "A" OTTONE | PRESSURE GAUGE D 'A' - BRASS | MANOMETRE 'A' - ASTORIA LAITON | MANOMETER 'A' - ASTORIA MESSING |
| 18 | 73142 | FIANCO DX ARGENTA OTTONE | RIGHT SIDE PANEL ARGENTA BRASS | COTE DROIT ARGENTA LAITON | RECHTE SEITE ARGENTA MESSING |
| 19 | 77492 | PROF. FIANCO DX ARGENTA RAME | SURROUND FOR RIGHT SIDE ARG. COPPER | PROFILS POUR COTE DROIT ARG. CUIVRE | PROFIL FUR RECHTE SEITE ARG. KUPFER |
| 20 | 23100 | POMELLO FISSAGGIO FIANCHETTO FE/Z | SIDE FIXING SCREW FE/Z | POMMEAU DE FIXAGE FE/Z | BEFESTIGUNGSGRIFF FE/Z |
| 21 | 77845 | COPRICALDAIA JUN OTTONE ARGENTA | BOILER COVER JUN. ARG. - BRASS | COUVRE-CHAUDIERE JUN. ARG. - LAITON | KESSELDECKEL JUN. ARG. - MESSING |
| 21 | 77846 | COPRICALDAIA 1GR ARGENTA OTTONE | BOILER COVER 1GR ARG. - BRASS | COUVRE-CHAUDIERE 1GR ARG. - LAITON | KESSELDECKEL 1GR ARG. - MESSING |
| 21 | 77847 | COPRICALDAIA 2GR ARGENTA OTTONE | BOILER COVER 2GR ARG. - BRASS | COUVRE-CHAUDIERE 2GR ARG. - LAITON | KESSELDECKEL 2GR ARG. - MESSING |
| 21 | 77848 | COPRICALDAIA 3GR ARGENTA OTTONE | BOILER COVER 3GR ARG. - BRASS | COUVRE-CHAUDIERE 3GR ARG. - LAITON | KESSELDECKEL 3GR ARG. - MESSING |
| 21 | 77849 | COPRICALDAIA 4GR ARGENTA OTTONE | BOILER COVER 4GR ARG. - BRASS | COUVRE-CHAUDIERE 4GR ARG. - LAITON | KESSELDECKEL 4GR ARG. - MESSING |
| 22 | 21200 | SEGNALIVELLO OVE TUV INCOLORE | LEVEL INDICATOR WINDOW OVE-TUV | INDICATEUR DE NIVEAU OVE-TUV | NIVEAUANZEIGER OVE-TUV |
| 23 | 76152000 | GRIGLIA INF. WNO1 INOX LUC. 316X201 | LOWER GRILL 316X201 - SHINY S. STEEL | GRILLE INF. INOX 316X201 | STAHL-UNTERGITTER 316X201 |
| 24 | 76153000 | GRIGLIA INF. WNO1 INOX LUC. 456X201 | LOWER GRILL 456X201 SHINY S. STEEL | GRILLE INF. INOX 456X201 | STAHL-UNTERGITTER 456X201 |
| 25 | 76154000 | GRIGLIA INF. DX WNO1 IN/LUC. 338.5X201 | RIGHT LOWER GRILL - SHINY S. STEEL | GRILLE INF. DROIT INOX 338,5X201 | STAHL-UNTER-RECHTEGITTER 338,5X201 |
| 25 | 76155000 | GRIGLIA INF. SX WNO1 IN/LUC. 338.5X201 | LEFT LOWER GRILL - SHINY S. STEEL | GRILLE INF. GAUCHE INOX 338,5X201 | STAHL-UNTER-LINKEGITTER 338,5X201 |
| 26 | 76156000 | GRIGLIA INF. WNO1 INOX LUC. 253X201 | LOWER GRILL 253X201 - SHINY S. STEEL | GRILLE INF. INOX 253X201 | STAHL-UNTERGITTER 253X201 |
| 27 | 76094 | BACINELLA JUN INOX LUCIDO | TRAY JUN S. STEEL | CUVE JUN INOX | STAHLSCHALE JUN |
| 27 | 76095 | BACINELLA 1GR INOX LUCIDO | 1GR GLOSSY STAINLESS STEEL | CUVE 1GR INOX BRILLANT | STAHLSCHALE 1GR |
| 27 | 76096 | BACINELLA 2GR INOX LUCIDO | 2GR GLOSSY STAINLESS STEEL | CUVE 2GR INOX BRILLANT | STAHLSCHALE 2GR |
| 27 | 76097 | BACINELLA 3GR INOX LUCIDO | 3GR GLOSSY STAINLESS STEEL | CUVE 3GR INOX BRILLANT | STAHLSCHALE 3GR |
| 27 | 76098 | BACINELLA 4GR INOX LUCIDO | 4GR GLOSSY STAINLESS STEEL | CUVE 4GR INOX BRILLANT | STAHLSCHALE 4GR |
| 28 | 77466 | PROF. BAS. ANT. 1GR AR/WN RAME | FRONT BASE SURROUND 1GR ARG. COPPER | PROFILS BASE ANT. 1GR ARG. CUIVRE | STIRN-GRUNDPROFIL 1GR ARG. KUPFER |
| 28 | 77467 | PROF. BAS. ANT. 2GR AR/WN RAME | FRONT BASE SURROUND 2GR ARG. COPPER | PROFILS BASE ANT. 2GR ARG. CUIVRE | STIRN-GRUNDPROFIL 2GR ARG. KUPFER |
| 28 | 77468 | PROF. BAS. ANT. 3GR AR/WN RAME | FRONT BASE SURROUND 3GR ARG. COPPER | PROFILS BASE ANT. 3GR ARG. CUIVRE | STIRN-GRUNDPROFIL 3GR ARG. KUPFER |
| 28 | 77469 | PROF. BAS. ANT. 4GR AR/WN RAME | FRONT BASE SURROUND 4GR ARG. COPPER | PROFILS BASE ANT. 4GR ARG. CUIVRE | STIRN-GRUNDPROFIL 4GR ARG. KUPFER |
| 28 | 77470 | PROF. BAS. ANT. JUN. AR/WN RAME | FRONT BASE SURROUND JUN ARG. COPPER | PROFILS BASE ANT. JUN ARG. CUIVRE | STIRN-GRUNDPROFIL JUN ARG. KUPFER |
| 29 | 774566 | PROF. BAS. ANT. 1GR AR/WN RAME GAS | BASE SURROUND 1GR ARG. COPPER X GAS | PROFILS BASE 1GR ARG. CUIVRE X GAZ | GRUNDPROFIL 1GR ARG. KUPFER X GAS |
| 29 | 774567 | PROF. BAS. ANT. 2GR AR/WN RAME GAS | BASE SURROUND 2GR ARG. COPPER X GAS | PROFILS BASE 2GR ARG. CUIVRE X GAZ | GRUNDPROFIL 2GR ARG. KUPFER X GAS |
| 29 | 774568 | PROF. BAS. ANT. 3GR AR/WN RAME GAS | BASE SURROUND 3GR ARG. COPPER X GAS | PROFILS BASE 3GR ARG. CUIVRE X GAZ | GRUNDPROFIL 3GR ARG. KUPFER X GAS |
| 29 | 774569 | PROF. BAS. ANT. 4GR AR/WN RAME GAS | BASE SURROUND 4GR ARG. COPPER X GAS | PROFILS BASE 4GR ARG. CUIVRE X GAZ | GRUNDPROFIL 4GR ARG. KUPFER X GAS |
| 30 | 23420 | VITE TE OTTONE M6X12 NICHELATA | M6X12NICKEL-PLATED BRASS HEX. HEAD SCREW | VIS TH LAITON M6X12 NICKEL | SECHSKANTSCHRAUBE AUS MESSING M6X12 |
| 31 | 15486002 | TAPPO FORO INTERRUPTORE | SWITCH HOLE PLUG | CAPUCHON TROU INTERRUPT. | ABDECKUNG SCHALTERLOCH |
| 32 | 15315 | PIEDINO REGOLAB. CROM. 435 9-15 ETL | CHROMED ADJUSTABLE FOOT 435 9-15 ETL | PIED REGLABLE CHROME 435 9-15 ETL | REGELBARER FUSS CHROM 435 9-15 ETL |
| 32 | 15316 | PIEDINO REGOLABILE NERO CROM. 435-PS3 | ADJUS. FOOT 435-PS3 BLACK-PI3.5 | PIED REGL. 435-PS3 BLACK-PI3.5 | REGELBARFUSS 435-PS3 BLACK-PI3.5 |



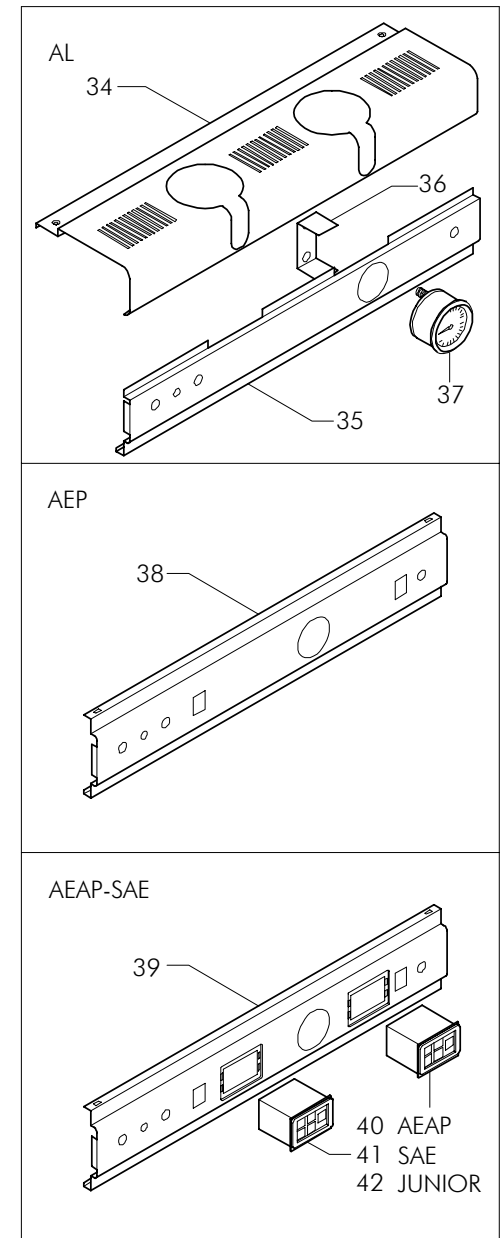
| Pos | Cod. | Denominazione - IT - | Denomination - GB - | Denomination - FR - | Denomination - DE - |
|-----|-------|---|--------------------------------------|--|--------------------------------------|
| 33 | 77741 | GUIDA DESTRA-SINISTRA BACINELLA X TELAI | R-L BASIN GUIDE FOR FRAMES | GUIDE DX-SX CUVE X CHASSIS | FÜHRUNG RECHTS-LINKS SCHALE FÜR RAH |
| 34 | 72704 | COPRIGRUPPO AL/1 ARGENTA OTTONE | GROUP-COVER AL/1 ARGENTA - BRASS | COUVRE-GROUPE AL/1 ARGENTA - LAITON | GRUPPENDECKEL AL/1 ARGENTA -MESSING |
| 34 | 72705 | COPRIGRUPPO AL/2 ARGENTA OTTONE | GROUP-COVER AL/2 ARGENTA - BRASS | COUVRE-GROUPE AL/2 ARGENTA-LAITON | GRUPPENDECKEL AL/2 ARGENTA-MESSING |
| 34 | 72706 | COPRIGRUPPO AL/3 ARGENTA OTTONE | GROUP-COVER AL/3 ARGENTA - BRASS | COUVRE-GROUPE AL/3 ARGENTA-LAITON | GRUPPENDECKEL AL/3 ARGENTA-MESSING |
| 34 | 72707 | COPRIGRUPPO AL/4 ARGENTA OTTONE | GROUP-COVER AL/4 ARGENTA - BRASS | COUVRE-GROUPE AL/4 ARGENTA-LAITON | GRUPPENDECKEL AL/4 ARGENTA-MESSING |
| 35 | 70703 | FRONT .AL/1 ARG.OTTONE | FRONT PANEL AL/1 ARGENTA BRASS | PANNEAU FRONTAL AL/1 ARGENTA LAITON | STIRNTAFEL AL/1 ARGENTA MESSING |
| 35 | 70713 | FRONT .AL/2 ARG.OTTONE | FRONT PANEL AL/2 ARGENTA BRASS | PANNEAU FRONTAL AL/2 ARGENTA LAITON | STIRNTAFEL AL/2 ARGENTA MESSING |
| 35 | 70723 | FRONT .AL/3 ARG.OTTONE | FRONT PANEL AL/3 ARGENTA BRASS | PANNEAU FRONTAL AL/3 ARGENTA LAITON | STIRNTAFEL AL/3 ARGENTA MESSING |
| 35 | 70733 | FRONT .AL/4 ARG.OTTONE | FRONT PANEL AL/4 ARGENTA BRASS | PANNEAU FRONTAL AL/4 ARGENTA LAITON | STIRNTAFEL AL/4 ARGENTA MESSING |
| 36 | 60115 | SUPPORTO MANOMETRO AL | GAUGE SUPPORT - AL | SUPPORT MANOMETRE - AL | MANOMETERHALTER - AL |
| 37 | 21101 | MANOMETRO 3 ATM "B" INOX | STEEL PRESSURE GAUGE 3 ATM "B" | MANOMETRE INOX 3 ATM "B" | STAHLMANOMETER 3 ATM "B" |
| 38 | 70743 | FRONT .AEP/1 ARG.OTTONE | FRONT PANEL AEP/1 ARGENTA BRASS | PANNEAU FRONT . AEP/1 ARGENTA LAITON | STIRNTAFEL AEP/1 ARGENTA MESSING |
| 38 | 70753 | FRONT .AEP/2 ARG.OTTONE | FRONT PANEL AEP/2 ARGENTA BRASS | PANNEAU AEP/2 ARGENTA LAITON | STIRNTAFEL AEP/2 ARGENTA MESSING |
| 38 | 70758 | FRONT .AEP/2 ARG.OTTONE SCTV | FRONT PANEL AEP/2 X C.W. ARG. BRASS | PANNEAU FRONT .AEP/2 X C-T ARG. LAIT. | STIRNTAFEL AEP/2 X T.W. ARG. MESSING |
| 38 | 70763 | FRONT .AEP/3 ARG.OTTONE | FRONT PANEL AEP/3 ARGENTA BRASS | PANNEAU FRONT . AEP/3 ARGENTA LAITON | STIRNTAFEL AEP/3 ARGENTA MESSING |
| 38 | 70768 | FRONT .AEP/3 ARG.OTTONE SCTV | FRONT PANEL AEP/3 X C.W. ARG. BRASS | PANNEAU FRONT .AEP/3 X C-T ARG. LAIT. | STIRNTAFEL AEP/3 X T.W. ARG. MESSING |
| 38 | 70773 | FRONT .AEP/4 ARG.OTTONE | FRONT PANEL AEP/4 ARGENTA BRASS | PANNEAU FRONT . AEP/4 ARGENTA LAITON | STIRNTAFEL AEP/4 ARGENTA MESSING |
| 38 | 70778 | FRONT .AEP/4 ARG.OTTONE SCTV | FRONT PANEL AEP/4 X C.W. BRASS | PANNEAU FRONT . AEP/4 X C.T. LAITON | STIRNTAFEL AEP/4 X T.W. MESSING |
| 38 | 70783 | FRONT .AEP/JUN. ARG.OTTONE | FRONT PANEL AEP/JUN ARGENTA BRASS | PANNEAU FRON. AEP/JUN ARGENTA LAITON | STIRNTAFEL AEP/JUN ARGENTA MESSING |
| 38 | 70788 | FRONT .AEP/JUN. ARG.OTTONE M. I | FRONT PANEL AEP/JUN ARGENTA BRASS | PANN. FRONT . AEP/JUN ARGENTA LAITON | STIRNTAFEL AEP/JUN ARGENTA MESSING |
| 39 | 70793 | FRONT .AEAP/SAE 1GR ARG.OTTONE | PANEL AEAP/SAE 1GR ARGENTA BRASS | PANNEAU AEAP/SAE 1GR ARGENTA LAITON | TAFEL AEAP/SAE 1GR ARGENTA MESSING |
| 39 | 70803 | FRONT .AEAP/SAE 2GR ARG.OTTONE | PANEL AEAP/SAE 2GR ARGENTA BRASS | PANNEAU AEAP/SAE 2GR ARGENTA LAITON | TAFEL AEAP/SAE 2GR ARGENTA MESSING |
| 39 | 70808 | FRONT .AEAP/SAE 2GR ARG.OTTONE SCTV | FR. PANEL AEAP/SAE 2GRXCW ARG. BRASS | PANN. FRONT .AEAP/SAE 2GRXCT ARG. LAIT | STIRNTAFEL AEAP/SAE 2GRXTW ARG. MESS |
| 39 | 70813 | FRONT .AEAP/SAE 3GR ARG.OTTONE | PANEL AEAP/SAE 3GR ARGENTA BRASS | PANNEAU AEAP/SAE 3GR ARGENTA LAITON | TAFEL AEAP/SAE 3GR ARGENTA MESSING |
| 39 | 70818 | FRONT .AEAP/SAE 3GR ARG.OTTONE SCTV | FR. PANEL AEAP/SAE 3GRXCW ARG. BRASS | PANN. FRONT .AEAP/SAE 3GRXCT ARG. LAIT | STIRNTAFEL AEAP/SAE 3GRXTW ARG. MESS |
| 39 | 70823 | FRONT .AEAP/SAE/4 ARG.OTTONE | PANEL AEAP/SAE 4GR ARGENTA BRASS | PANNEAU AEAP/SAE 4GR ARGENTA LAITON | TAFEL AEAP/SAE 4GR ARGENTA MESSING |
| 39 | 70829 | FRONT .AEAP/SAE/4 ARG.OTTONE SCTV | FRONT PANEL AEAP/SAE/4 X C.W. BRASS | PANNEAU FRONT . AEAP/SAE/4 X C.T. LAITON | STIRNTAFEL AEAP/SAE/4 X T.W. MESSING |
| 39 | 70833 | FRONT .AEAP/SAE JUN. ARG.OTTONE | PANEL AEAP/SAE JUN ARGENTA BRASS | PANNEAU AEAP/SAE JUN ARGENTA LAITON | TAFEL AEAP/SAE JUN ARGENTA MESSING |
| 39 | 70838 | FRONT .AEAP/SAE JUN. ARG.OTTONE M. I | FRONT PANEL AEAP/SAE JUN AR BRASS | PANN. FRONT . AEAP/SAE JUN AR LAITON | STIRNTAFEL AEAP/SAE JUN AR MESSING |
| 40 | 21274 | TIMER 220/240V AEA 97 922051 | TIMER 220/240V | TIMER 220/240V | TIMER 220/240V |
| 40 | 21275 | TIMER 110/120V MOD.97 CON AEA CMA | TIMER 110/120V | TIMER 110/120V | TIMER 110/120V |
| 41 | 18354 | PULSANTIERA 4T+1 X MICRO 991063 | TOUCH PAD 4T+1 FOR MICRO 991063 | CLAVIER A TOUCHES 4T+1 MICRO 991063 | DRUCKKNOPFTAFEL 4T+1 MICRO 991063 |
| 42 | 18365 | PULS. TH SAE JUN 220V 951735 *97 | TOUCH PAD "TH" SAE JUN 220V 951605 | CLAVIER "TH" SAE JUN 220V 951605 | DRUCKKNOPFTAFEL "TH" SAE JUN 220V |
| 42 | 18366 | PULS. TH SAE JUN 110V 951736 *97 | TOUCH PAD "TH" SAE JUN 110V 951637 | CLAVIER "TH" SAE JUN 110V 951637 | DRUCKKNOPFTAFEL "TH" SAE JUN 110V |



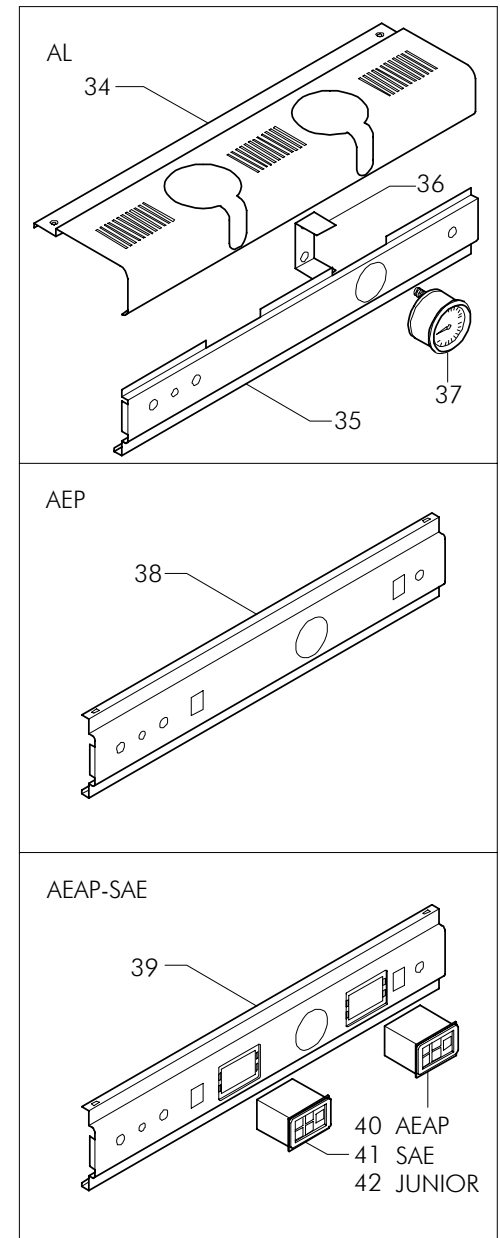
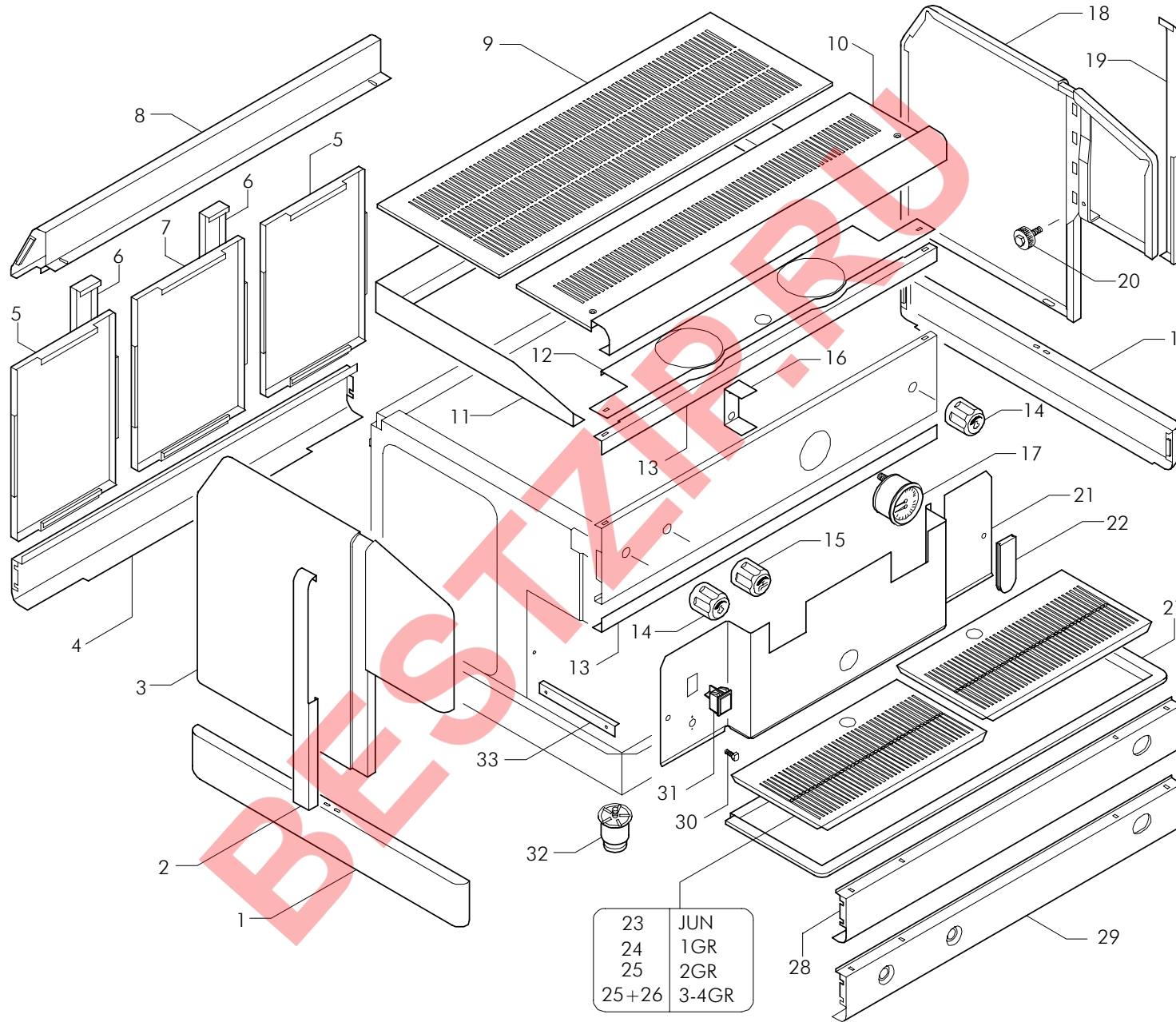
| Pos | Cod. | Denominazione - IT - | Denomination - GB - | Denomination - FR - | Denomination - DE - |
|-----|--------|--|-------------------------------------|-------------------------------------|------------------------------------|
| 1 | 77455 | PROFILO BASAMENTO DESTRO-SINISTRO NERO/B | RH-LH BASE SECTION BLACK/PI | PROFIL BASE DX-SX NOIR/RECOU | GRUNDPROFIL RECHTS/LINKS SCHWA |
| 1 | 77456 | PROF.BAS.DX-SX AR/WN RAME | BASE SURROUND RIGHT/LEFT ARG.COPPER | PROFILS BASE DROIT/GAUCHE ARG.CUIV. | GRUNDPROFIL RECHT/LINK ARG.KUPFER |
| 2 | 77496 | PROF.FIANCO SX ARGENTA NERO/B | LEFT SIDE STRIP ARG.BLACK | PROFILS POUR COTE GAUCHE ARG.NOIR | PROFIL FUR LINKE SEITE ARG.SCHWARZ |
| 2 | 77497 | PROF.FIANCO SX ARGENTA RAME | SURROUND FOR LEFT SIDE ARG.COPPER | PROFILS POUR COTE GAUCHE ARG.CUIVRE | PROFIL FUR LINKE SEITE ARG.KUPFER |
| 3 | 73134 | FIANCO SX ARGENTA INOX LUCIDO | LEFT SIDE PANEL ARGENTA STEEL | COTE GAUCHE ARGENTA INOX | LINKE SEITE ARGENTA STAHL |
| 4 | 77472 | PROF.BAS.POST.1GR NERO/BUC | 1GR REAR BASE SECTION BLACK | PROFIL BASE POST. 1GR NOIR/R | HINTERGRUNDPROFIL1GR SCHWARZ/O |
| 4 | 77473 | PROF.BAS.POST.2GR NERO/BUC | 2GR REAR BASE SECTION BLACK | PROFIL BASE POST. 2GR NOIR/R | HINTER-GRUNDPROFIL.2GR SCHWARZ |
| 4 | 77474 | PROF.BAS.POST.3GR NERO/BUC | 3GR REAR BASE SECTION BLACK | PROFIL BASE POST. 3GR ARG. NOIR/R | HINTER-GRUNDPROFIL 3GR SCHWARZ |
| 4 | 77475 | PROF.BAS.POST.4GR NERO/BUC | 4GR REAR BASE SECTION BLACK | PROFIL BASE POST. 4GR NOIR | HINTER-GRUNDPROFIL 4GR SCHWARZ |
| 4 | 77476 | PROF.BAS.POST.JUN NERO/BUC | JUN REAR BASE SECTION BLACK | PROFIL BASE POST. JUN NOIR | HINTER-GRUNDPROFIL JUN SCHWARZ |
| 4 | 77478 | PROF.BAS.POST.1GR AR/WN RAME | BACK BASE SURROUND 1GR ARG. COPPER | PROFILS BASE POST. 1GR ARG. CUIVRE | HINTER-GRUNDPROFIL 1GR ARG. KUPFER |
| 4 | 77479 | PROF.BAS.POST 2GR AR/WN RAME | BACK BASE SURROUND 2GR ARG. COPPER | PROFILS BASE POST. 2GR ARG. CUIVRE | HINTER-GRUNDPROFIL 2GR ARG. KUPFER |
| 4 | 77480 | PROF.BAS.POST.3GR AR/WN RAME | BACK BASE SURROUND 3GR ARG. COPPER | PROFILS BASE POST. 3GR ARG. CUIVRE | HINTER-GRUNDPROFIL 3GR ARG. KUPFER |
| 4 | 77481 | PROF.BAS.POST.4GR AR/WN RAME | BACK BASE SURROUND 4GR ARG. COPPER | PROFILS BASE POST. 4GR ARG. CUIVRE | HINTER-GRUNDPROFIL 4GR ARG. KUPFER |
| 4 | 77482 | PROF.BAS.POST JUN.AR/WN RAME | BACK BASE SURROUND JUN ARG. COPPER | PROFILS BASE POST. JUN ARG. CUIVRE | HINTER-GRUNDPROFIL JUN ARG. KUPFER |
| 5 | 75279 | PANN.2-3-4GR INOX LUCIDO ARGENTA | PANEL 2-3-4GR ARGENTA STEEL | PANNEAU 2-3-4GR ARGENTA INOX | TAFEL 2-3-4-GR ARGENTA STAHL |
| 6 | 77485 | PROF.PANN.NERO/BUC ARGENTA | PANEL STRIP ARGENTA - BLACK | PROFILS POUR PANNEAU ARG. - NOIR | PROFIL FUR TAFEL ARGENTA - SCHWARZ |
| 6 | 77486 | PROF.PANN.RAME ARGENTA | PANEL STRIP ARGENTA - COPPER | PROFILS POUR PANNEAU ARG. - CUIVRE | PROFIL FUR TAFEL ARGENTA - KUPFER |
| 7 | 75273 | PANN.1-2-3-4GR INOX LUCIDO ARGENTA | PANEL 1-2-3-4GR ARGENTA STEEL | PANNEAU 1-2-3-4GR ARGENTA INOX | TAFEL 1-2-3-4GR ARGENTA STAHL |
| 7 | 75285 | PANN.JUN INOX LUCIDO ARGENTA | PANEL JUN ARGENTA STEEL | PANNEAU JUN ARGENTA INOX | TAFEL JUN ARGENTA STAHL |
| 8 | 75518 | PANN.SUP.1GR INOX/LUC ARGENTA | TOP PANEL 1GR ARGENTA STEEL | PANNEAU SUP. 1GR ARGENTA INOX | OBERTAFEL 1GR ARGENTA - STAHL |
| 8 | 75524 | PANN.SUP.2GR INOX/LUC ARGENTA | TOP PANEL 2GR ARGENTA STEEL | PANNEAU SUP.2GR ARGENTA INOX | OBERTAFEL 2GR ARGENTA - STAHL |
| 8 | 75530 | PANN.SUP.3GR INOX/LUC ARGENTA | TOP PANEL 3GR ARGENTA STEEL | PANNEAU SUP. 3GR ARGENTA INOX | OBERTAFEL 3GR ARGENTA - STAHL |
| 8 | 75536 | PANN.SUP.4GR INOX/LUC ARGENTA | TOP PANEL 4GR ARGENTA STEEL | PANNEAU SUP. 4GR ARGENTA INOX | OBERTAFEL 4GR ARGENTA STAHL |
| 8 | 75542 | PANN.SUP.JUN INOX/LUC ARGENTA | TOP PANEL JUN ARGENTA STEEL | PANNEAU SUP. JUN ARGENTA INOX | OBERTAFEL JUN ARGENTA STAHL |
| 9 | 76601 | GRIGLIA SUP.JUNIOR ARGENTA INOX LUC | TOP GRATE JUNIOR ARGENTA S.STEEL | GRILLE SUP. JUNIOR ARGENTA INOX | OBERGITTER JUNIOR ARGENTA STAHL |
| 9 | 76602 | GRIGLIA SUP.1GR ARGENTA INOX LUC. | TOP GRATE 1GR ARGENTA S.STEEL | GRILLE SUP.1GR ARGENTA INOX | OBERGITTER 1GR ARGENTA STAHL |
| 9 | 76603 | GRIGLIA SUP.2GR ARGENTA INOX LUC. | TOP GRATE 2GR ARGENTA S.STEEL | GRILLE SUP.2GR ARGENTA INOX | OBERGITTER 2GR ARGENTA STAHL |
| 9 | 76604 | GRIGLIA SUP.3GR ARGENTA INOX LUC. | TOP GRATE 3GR ARGENTA S.STEEL | GRILLE SUP.3GR ARGENTA INOX | OBERGITTER 3GR ARGENTA STAHL |
| 9 | 76605 | GRIGLIA SUP.4GR ARGENTA INOX LUC. | TOP GRATE 4GR ARGENTA S.STEEL | GRILLE SUP.4GR ARGENTA INOX | OBERGITTER 4GR ARGENTA STAHL |
| 10 | 72720 | COPRIGRUPPO ER.JUN.ARGENTA INOX LUC | GROUP-COVER DISTR.JUN ARG. -S.STEEL | COUVRE-GROUPE DEBIT JUN ARG. -INOX | GRUPPENDECKEL AUSG.JUN ARG. -STAHL |
| 10 | 72721 | COPRIGRUPPO ER.1GR ARGENTA INOX LUC | GROUP COVER DISTR.1GR ARG. -S.STEEL | COUVRE-GROUPE DEBIT 1GR ARG. -INOX | GRUPPENDECKEL AUSG.1GR ARG. -STAHL |
| 10 | 72722 | COPRIGRUPPO ER.2GR ARGENTA INOX LUC | GROUP-COVER DISTR.2GR ARG. -S.STEEL | COUVRE-GROUPE DEBIT 2GR ARG. -INOX | GRUPPENDECKEL AUSG.2GR ARG. -STAHL |
| 10 | 72723 | COPRIGRUPPO ER.3GR ARGENTA INOX LUC | GROUP-COVER DISTR.3GR ARG. -S.STEEL | COUVRE-GROUPE DEBIT 3GR ARG. -INOX | GRUPPENDECKEL AUSG.3GR ARG. -STAHL |
| 10 | 72724 | COPRIGRUPPO ER.4GR ARGENTA INOX LUC | GROUP-COVER DISTR.4GR ARG. -S.STEEL | COUVRE-GROUPE DEBIT 4GR ARG. -INOX | GRUPPENDECKEL AUSG.4GR ARG. -STAHL |
| 11 | 771970 | PROF.SUP.JUN.ARGENTA INOX LUC. | S.STEEL TOP SECTION JUN ARGENTA | PROFILS SUP. INOX JUN ARGENTA | STAHL-OBERUMRANDUNG JUN ARGENTA |
| 11 | 771971 | PROF.SUP.1GR ARGENTA INOX LUC. | S.STEEL TOP SECTION 1GR ARGENTA | PROFILS SUP. INOX 1GR ARGENTA | STAHL-OBERUMRANDUNG 1GR ARGENTA |
| 11 | 771972 | PROF.SUP.2GR ARGENTA INOX LUC. | S.STEEL TOP SECTION 2GR ARGENTA | PROFILS SUP. INOX 2GR ARGENTA | STAHL-OBERUMRANDUNG 2GR ARGENTA |



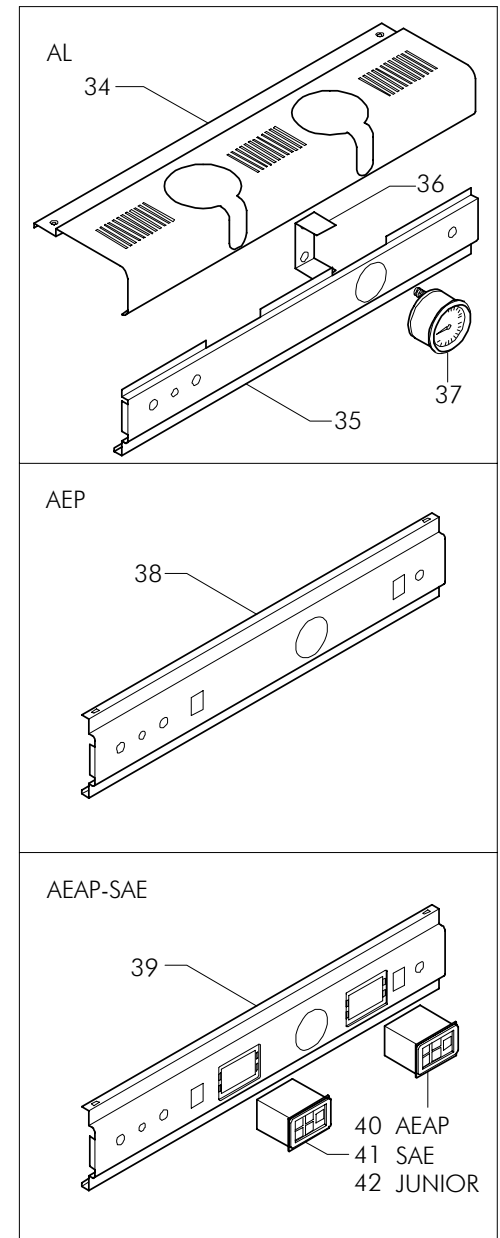
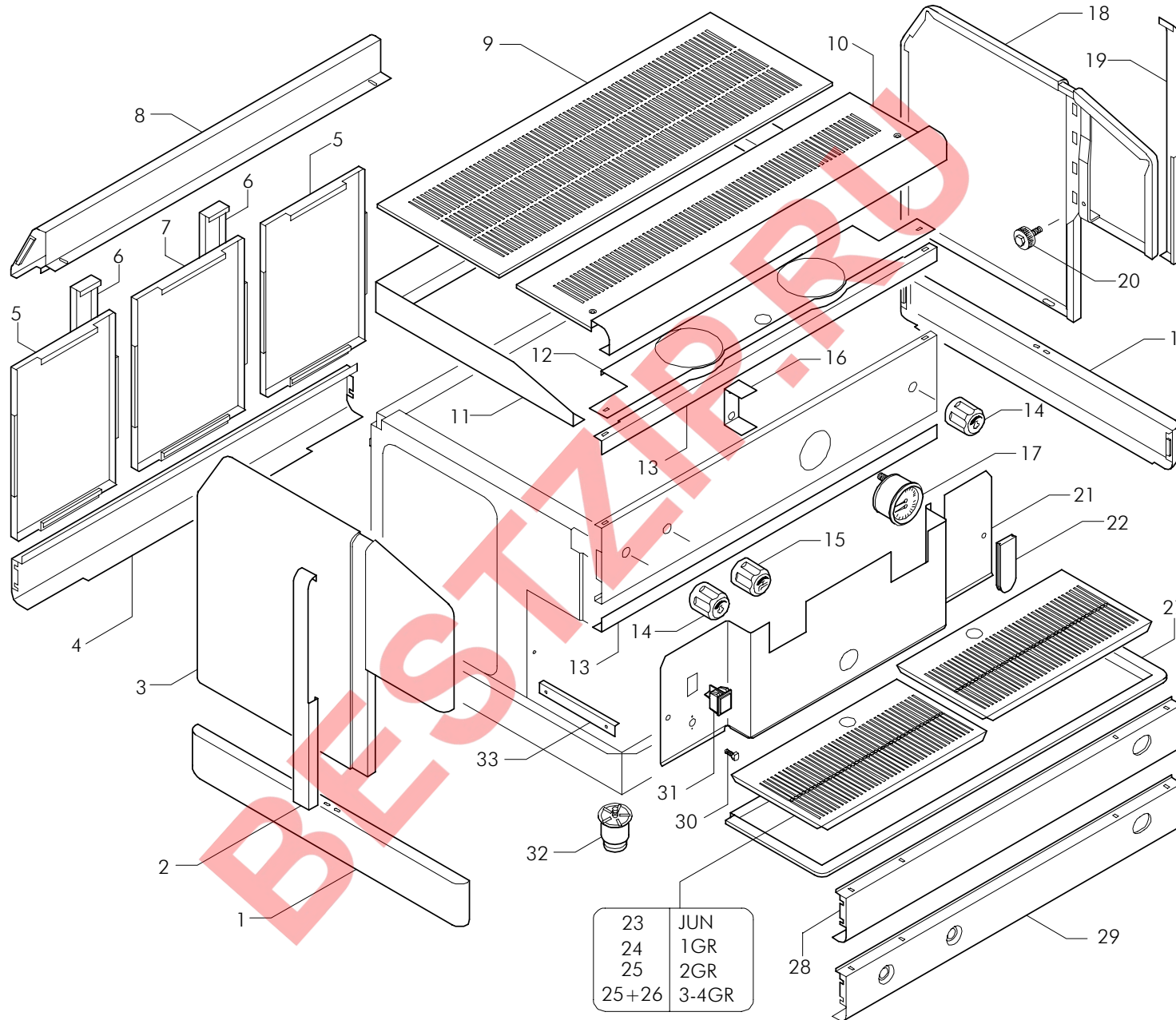
| | |
|-------|-------|
| 23 | JUN |
| 24 | 1GR |
| 25 | 2GR |
| 25+26 | 3-4GR |



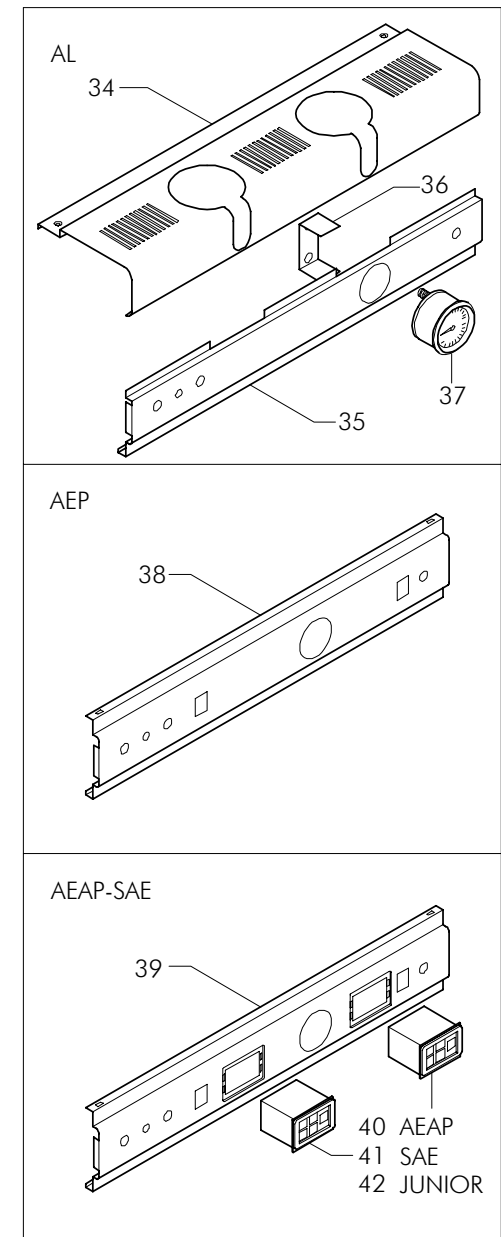
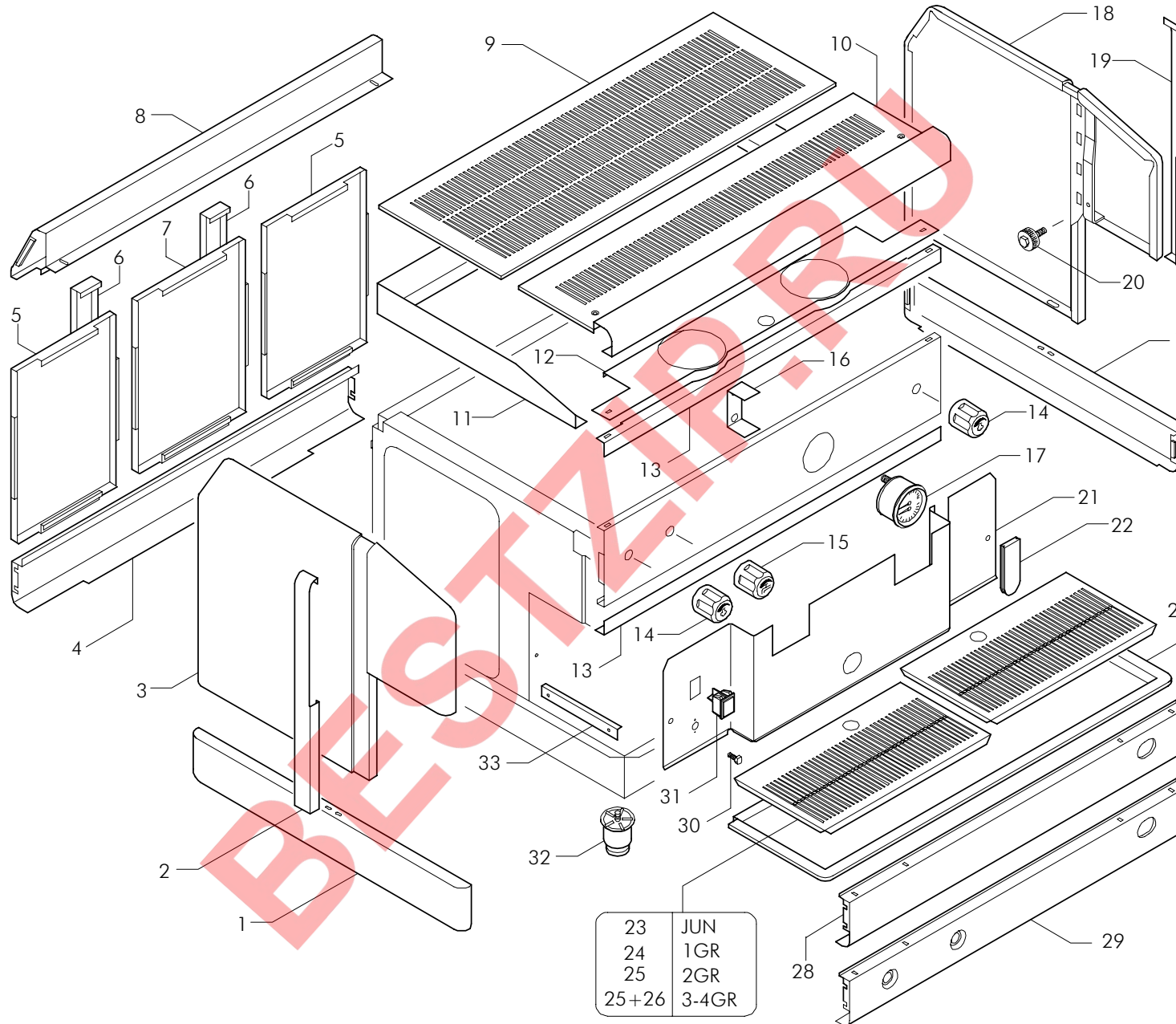
| Pos | Cod. | Denominazione - IT - | Denomination - GB - | Denomination - FR - | Denomination - DE - |
|-----|----------|--------------------------------------|-------------------------------------|-------------------------------------|-------------------------------------|
| 11 | 771973 | PROF.SUP.3GR ARGENTA INOX LUC. | S.STEEL TOP SECTION 3GR ARGENTA | PROFILS SUP. INOX 3GR ARGENTA | STAHL-OBERUMRANDUNG 3GR ARGENTA |
| 11 | 771974 | PROF.SUP.4GR ARGENTA INOX LUC. | S.STEEL TOP SECTION 4GR ARGENTA | PROFILS SUP. INOX 4GR ARGENTA | STAHL-OBERUMRANDUNG 4GR ARGENTA |
| 12 | 77274 | COPRIMPIANTO JUNIOR | CABLE-COVER JUNIOR | COUVRE-CABLAGE JUNIOR | VERDRAHTUNGDECKEL JUNIOR |
| 12 | 77275 | COPRIMPIANTO 1GR | CABLE-COVER 1GR | COUVRE-CABLAGE 1GR | VERDRAHTUNGDECKEL 1GR |
| 12 | 77276 | COPRIMPIANTO 2GR | CABLE-COVER 2GR | COUVRE-CABLAGE 2GR | VERDRAHTUNGDECKEL 2GR |
| 12 | 77277 | COPRIMPIANTO 3GR | CABLE-COVER 3GR | COUVRE-CABLAGE 3GR | VERDRAHTUNGDECKEL 3GR |
| 12 | 77278 | COPRIMPIANTO 4GR | CABLE-COVER 4GR | COUVRE-CABLAGE 4GR | VERDRAHTUNGDECKEL 4GR |
| 13 | 775702 | PROF.FRONT.1GR NERO/B ARGENTA | PANEL STRIP 1GR ARGENTA BLACK | PROFILSX PANNEAU 1GR ARGENTA NOIR | PROFILXTAFEL 1GR ARGENTA SCHWARZ |
| 13 | 775703 | PROF.FRONT.1GR RAME ARGENTA | SURROUNDXPANEL 1GR ARGENTA COPPER | PROFILSX PANNEAU 1GR ARGENTA CUIVRE | PROFILXTAFEL 1GR ARGENTA KUPFER |
| 13 | 775712 | PROF.FRONT.2GR NERO/B ARGENTA | SURROUND X PANEL 2GR ARGENTA BLACK | PROFILS X PANNEAU 2GR ARGENTA NOIR | PROFIL X TAFEL 2GR ARGENTA SCHWARZ |
| 13 | 775713 | PROF.FRONT.2GR RAME ARGENTA | SURROUND X PANEL 2GR ARGENTA COPPER | PROFILSX PANNEAU 2GR ARGENTA CUIVRE | PROFIL X TAFEL 2GR ARGENTA KUPFER |
| 13 | 775722 | PROF.FRONT.3GR NERO/B ARGENTA | SURROUND X PANEL 3GR ARGENTA BLACK | PROFILS X PANNEAU 3GR ARGENTA NOIR | PROFIL X TAFEL 3GR ARGENTA SCHWARZ |
| 13 | 775723 | PROF.FRONT.3GR RAME ARGENTA | SURROUND X PANEL 3GR ARGENTA COPPER | PROFILSX PANNEAU 3GR ARGENTA CUIVRE | PROFIL X TAFEL 3GR ARGENTA KUPFER |
| 13 | 775732 | PROF.FRONT.4GR NERO/B ARGENTA | SURROUND X PANEL 4GR ARGENTA BLACK | PROFILS X PANNEAU 4GR ARGENTA NOIR | PROFIL X TAFEL 4GR ARGENTA SCHWARZ |
| 13 | 775733 | PROF.FRONT.4GR RAME ARGENTA | SURROUND X PANEL 4GR ARGENTA COPPER | PROFILSX PANNEAU 4GR ARGENTA CUIVRE | PROFIL X TAFEL 4GR ARGENTA KUPFER |
| 13 | 775742 | PROF.FRONT.JUN.NERO/B ARGENTA | SURROUND X PANEL JUN ARGENTA BLACK | PROFILS X PANNEAU JUN ARGENTA NOIR | PROFIL X TAFEL JUN ARGENTA SCHWARZ |
| 13 | 775743 | PROF.FRONT.JUN.RAME ARGENTA | SURROUND X PANEL JUN ARGENTA COPPER | PROFILSX PANNEAU JUN ARGENTA CUIVRE | PROFIL X TAFEL JUN ARGENTA KUPFER |
| 14 | 15265 | MANOPOLA RUBINETTO VAPORE | STEAM TAP KNOB | POIGNEE ROBINET VAPEUR | DAMPFHAHNGRIF |
| 15 | 15264 | MANOPOLA RUBINETTO H2O | WATER TAP KNOB | POIGNEE ROBINET EAU | WASSERHAHNGRIF |
| 16 | 60110 | SUPPORTO MANOMETRO ER | GAUGE SUPPORT - DISTRIBUTION | SUPPORT MANOMETRE - DEBIT | MANOMETERHALTER - AUSGABE |
| 17 | 21100 | MANOMETRO D.SCALA "A" INOX | PRESSURE GAUGE 'A' -STAINLESS STEEL | MANOMETRE 'A' - INOX | MANOMETER 'A' - STAHL |
| 18 | 73143 | FIANCO DX ARGENTA INOX LUCIDO | RIGHT SIDE PANEL ARGENTA STEEL | COTE DROIT ARGENTA INOX | RECHTE SEITE ARGENTA STAHL |
| 19 | 77491 | PROF.FIANCO DX ARGENTA NERO/B | RIGHT SIDE STRIP ARG. BLACK | PROFILS POUR COTE DROIT ARG. NOIR | PROFIL FUR RECHTE SEITE ARG.SCHWARZ |
| 19 | 77492 | PROF.FIANCO DX ARGENTA RAME | SURROUND FOR RIGHT SIDE ARG.COPPER | PROFILS POUR COTE DROIT ARG.CUIVRE | PROFIL FUR RECHTE SEITE ARG.KUPFER |
| 20 | 23100 | POMELLO FISSAGGIO FIANCHETTO FE/Z | SIDE FIXING SCREW FE/Z | POMMEAU DE FIXAGE FE/Z | BEFESTIGUNGSGRIF FE/Z |
| 21 | 77840 | COPRICALDAIA JUN INOX/LUC | S.STEEL BOILER COVER JUN ARG. | COUVRE-CHAUDIERE INOX JUN ARG. | STAHLKESSELDECKEL JUN ARG. |
| 21 | 77841 | COPRICALDAIA 1GR INOX LUC. | S.STEEL BOILER COVER 1GR | COUVRE-CHAUDIERE INOX 1GR | KESSELDECKEL 1GR STAHL |
| 21 | 77842 | COPRICALDAIA 2GR INOX LUC. | S.STEEL BOILER COVER 2GR | COUVRE-CHAUDIERE INOX 2GR | KESSELDECKEL 2GR STAHL |
| 21 | 77843 | COPRICALDAIA 3GR INOX LUC. | S.STEEL BOILER COVER 3GR | COUVRE-CHAUDIERE INOX 3GR | KESSELDECKEL 3GR STAHL |
| 21 | 77844 | COPRICALDAIA 4GR INOX LUC. | S.STEEL BOILER COVER 4GR | COUVRE-CHAUDIERE INOX 4GR | STAHLKESSELDECKEL 4GR |
| 22 | 21200 | SEGNALIVELLO OVE TUV INCOLORE | LEVEL INDICATOR WINDOW OVE-TUV | INDICATEUR DE NIVEAU OVE-TUV | NIVEAUANZEIGER OVE-TUV |
| 23 | 76152000 | GRIGLIA INF.WN01 INOX LUC.316X201 | LOWER GRILL 316X201 - SHINY S.STEEL | GRILLE INF. INOX 316X201 | STAHL-UNTERGITTER 316X201 |
| 24 | 76153000 | GRIGLIA INF.WN01 INOX LUC.456X201 | LOWER GRILL 456X201 SHINY S.STEEL | GRILLE INF. INOX 456X201 | STAHL-UNTERGITTER 456X201 |
| 25 | 76154000 | GRIGLIA INF.DX WN01 IN/LUC.338.5X201 | RIGHT LOWER GRILL -SHINY S.STEEL | GRILLE INF.DROIT INOX 338,5X201 | STAHL-UNTER-RECHTEGITTER 338,5X201 |
| 25 | 76155000 | GRIGLIA INF.SX WN01 IN/LUC.338.5X201 | LEFT LOWER GRILL - SHINY S.STEEL | GRILLE INF.GAUCHE INOX 338,5X201 | STAHL-UNTER-LINKEGITTER 338,5X201 |
| 26 | 76156000 | GRIGLIA INF.WN01 INOX LUC. 253X201 | LOWER GRILL 253X201 - SHINY S.STEEL | GRILLE INF. INOX 253X201 | STAHL-UNTERGITTER 253X201 |
| 27 | 76094 | BACINELLA JUN INOX LUCIDO | TRAY JUN S.STEEL | CUVE JUN INOX | STAHSCHALE JUN |
| 27 | 76095 | BACINELLA 1GR INOX LUCIDO | 1GR GLOSSY STAINLESS STEEL | CUVE 1GR INOX BRILLANT | STAHSCHALE 1GR |
| 27 | 76096 | BACINELLA 2GR INOX LUCIDO | 2GR GLOSSY STAINLESS STEEL | CUVE 2GR INOX BRILLANT | STAHSCHALE 2GR |



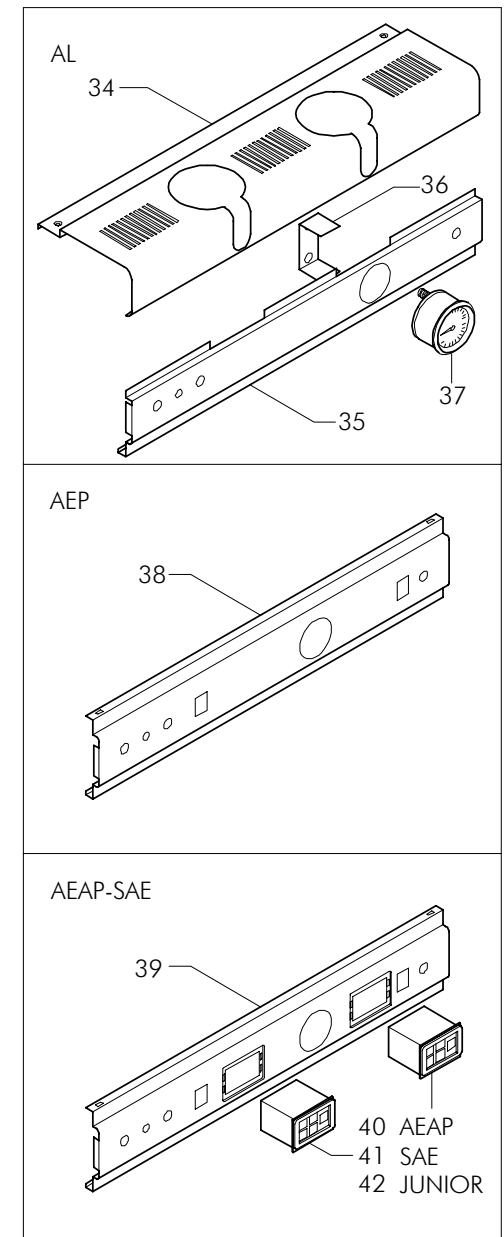
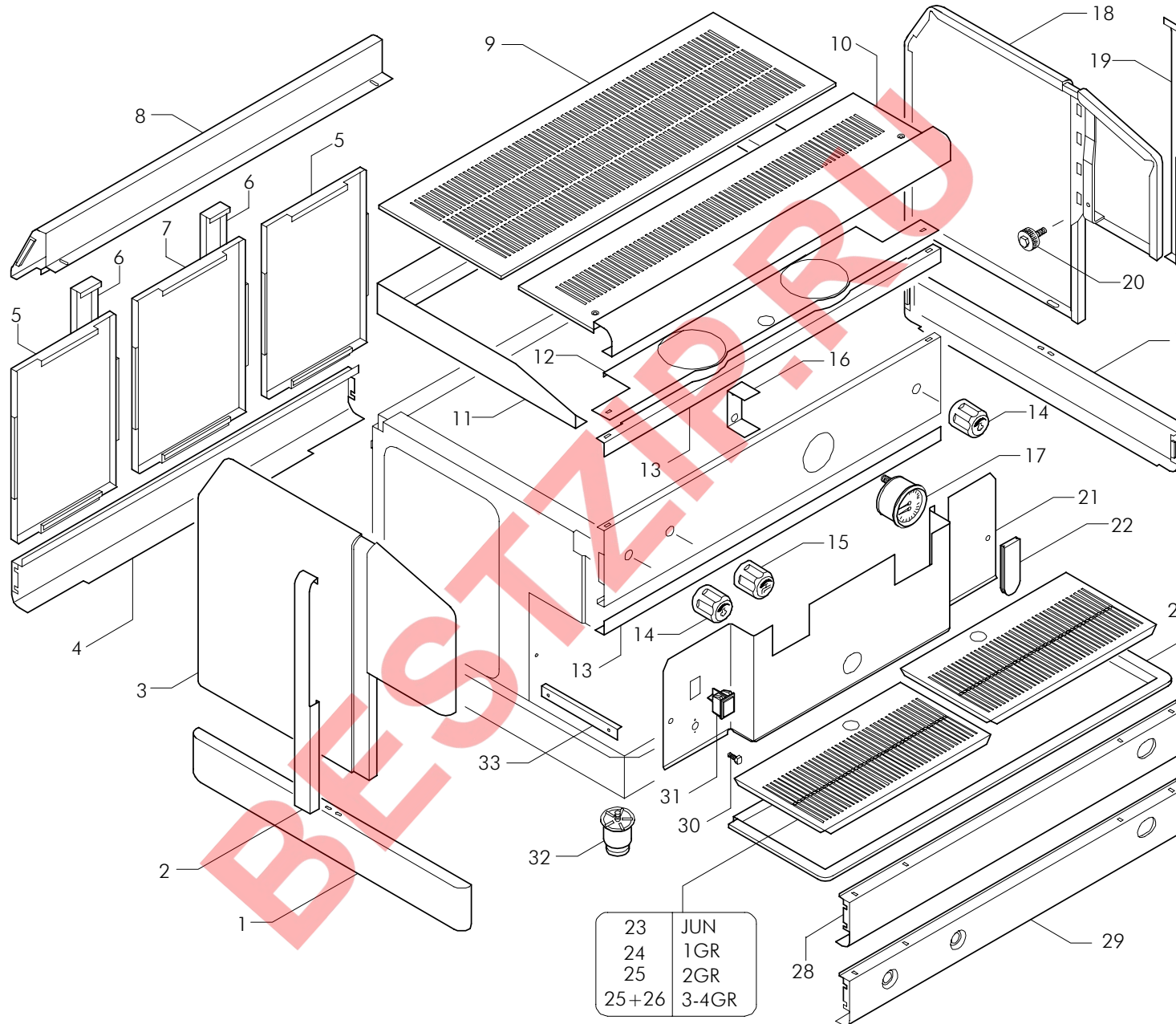
| Pos | Cod. | Denominazione - IT - | Denomination - GB - | Denomination - FR - | Denomination - DE - |
|-----|----------|---|---|------------------------------------|-------------------------------------|
| 27 | 76097 | BACINELLA 3GR INOX LUCIDO | 3GR GLOSSY STAINLESS STEEL | CUVE 3GR INOX BRILLANT | STAHLSCHALE 3GR |
| 27 | 76098 | BACINELLA 4GR INOX LUCIDO | 4GR GLOSSY STAINLESS STEEL | CUVE 4GR INOX BRILLANT | STAHLSCHALE 4GR |
| 28 | 77460 | PROF.BAS.ANT.1GR AR/WN NERO/BUC | FRONT BASE SURROUND 1GR ARG.BLACK | PROFILS BASE ANT.1GR ARG.NOIR | STIRN-GRUNDPROFIL 1GR ARG.SCHWARZ |
| 28 | 77461 | PROF.BAS.ANT.2GR AR/WN NERO/BUC | FRONT BASE SURROUND 2GR ARG.BLACK | PROFILS BASE ANT.2GR ARG.NOIR | STIRN-GRUNDPROFIL 2GR ARG.SCHWARZ |
| 28 | 77462 | PROF.BAS.ANT.3GR AR/WN NERO/BUC | FRONT BASE SURROUND 3GR ARG.BLACK | PROFILS BASE ANT.3GR ARG.NOIR | STIRN-GRUNDPROFIL 3GR ARG.SCHWARZ |
| 28 | 77463 | PROF.BAS.ANT.4GR AR/WN NERO/BUC | FRONT BASE SURROUND 4GR ARG.BLACK | PROFILS BASE ANT.4GR ARG.NOIR | STIRN-GRUNDPROFIL 4GR ARG.SCHWARZ |
| 28 | 77464 | PROF.BAS.ANT.JUN.AR/WN NERO/BUC | FRONT BASE SURROUND JUN ARG.BLACK | PROFILS BASE ANT. JUN ARG.NOIR | STIRN-GRUNDPROFIL JUN ARG.SCHWARZ |
| 28 | 77466 | PROF.BAS.ANT.1GR AR/WN RAME | FRONT BASE SURROUND 1GR ARG.COPPER | PROFILS BASE ANT.1GR ARG.CUIVRE | STIRN-GRUNDPROFIL 1GR ARG.KUPFER |
| 28 | 77467 | PROF.BAS.ANT.2GR AR/WN RAME | FRONT BASE SURROUND 2GR ARG.COPPER | PROFILS BASE ANT.2GR ARG.CUIVRE | STIRN-GRUNDPROFIL 2GR ARG.KUPFER |
| 28 | 77468 | PROF.BAS.ANT.3GR AR/WN RAME | FRONT BASE SURROUND 3GR ARG.COPPER | PROFILS BASE ANT.3GR ARG.CUIVRE | STIRN-GRUNDPROFIL 3GR ARG.KUPFER |
| 28 | 77469 | PROF.BAS.ANT.4GR AR/WN RAME | FRONT BASE SURROUND 4GR ARG.COPPER | PROFILS BASE ANT. 4GR ARG.CUIVRE | STIRN-GRUNDPROFIL 4GR ARG.KUPFER |
| 28 | 77470 | PROF.BAS.ANT.JUN.AR/WN RAME | FRONT BASE SURROUND JUN ARG.COPPER | PROFILS BASE ANT.JUN ARG.CUIVRE | STIRN-GRUNDPROFIL JUN ARG. KUPFER |
| 29 | 774561 | PROF.BAS.ANT.1GR AR/WN NERO/BUC GAS | BASE SURROUND 1GR ARG.BLACK X GAS | PROFILS BASE 1GR ARG.NOIR X GAZ | GRUNDPROFIL 1GR ARG.SCHWARZ X GAS |
| 29 | 774562 | PROF.BAS.ANT.2GR AR/WN NERO/BUC GAS | BASE SURROUND 2GR ARG.BLACK X GAS | PROFILS BASE 2GR ARG.NOIR X GAZ | GRUNDPROFIL 2GR ARG.SCHWARZ X GAS |
| 29 | 774563 | PROF.BAS.ANT.3GR AR/WN NERO/BUC GAS | BASE SURROUND 3GR ARG.BLACK X GAS | PROFILS BASE 3GR ARG.NOIR X GAZ | GRUNDPROFIL 3GR ARG.SCHWARZ X GAS |
| 29 | 774564 | PROF.BAS.ANT.4GR AR/WN NERO/BUC GAS | BASE SURROUND 4GR ARG.BLACK X GAS | PROFILS BASE 4GR ARG.NOIR X GAZ | GRUNDPROFIL 4GR ARG.SCHWARZ X GAS |
| 29 | 774566 | PROF.BAS.ANT.1GR AR/WN RAME GAS | BASE SURROUND 1GR ARG.COPPER X GAS | PROFILS BASE 1GR ARG.CUIVRE X GAZ | GRUNDPROFIL 1GR ARG.KUPFER X GAS |
| 29 | 774567 | PROF.BAS.ANT.2GR AR/WN RAME GAS | BASE SURROUND 2GR ARG.COPPER X GAS | PROFILS BASE 2GR ARG.CUIVRE X GAZ | GRUNDPROFIL 2GR ARG.KUPFER X GAS |
| 29 | 774568 | PROF.BAS.ANT.3GR AR/WN RAME GAS | BASE SURROUND 3GR ARG.COPPER X GAS | PROFILS BASE 3GR ARG.CUIVRE X GAZ | GRUNDPROFIL 3GR ARG.KUPFER X GAS |
| 29 | 774569 | PROF.BAS.ANT.4GR AR/WN RAME GAS | BASE SURROUND 4GR ARG.COPPER X GAS | PROFILS BASE 4GR ARG.CUIVRE X GAZ | GRUNDPROFIL 4GR ARG.KUPFER X GAS |
| 30 | 23420 | VITE TE OTTONE M6X12 NICHELATA | M6X12NICKEL-PLATED BRASS HEX.HEAD SCREW | VIS TH LAITON M6X12 NICKELEE | SECHSKANTSCHRAUBE AUS MESSING M6X12 |
| 31 | 15486002 | TAPPO FORO INTERRUETTORE | SWITCH HOLE PLUG | CAPUCHON TROU INTERRUPT. | ABDECKUNG SCHALTERLOCH |
| 32 | 15315 | PIEDINO REGOLAB. CROM. 435 9-15 ETL | CHROMED ADJUSTABLE FOOT 435 9-15 ET | PIED REGLABLE CHROME 435 9-15 ETL | REGELBARER FUSS CHROM 435 9-15 ETL |
| 32 | 15316 | PIEDINO REGOLABILE NERO CROM. 435-PS3 | ADJUS.FOOT 435-PS3 BLACK-PI3.5 | PIED REGL. 435-PS3 BLACK-PI3.5 | REGELBARFUSS 435-PS3 BLACK-PI3.5 |
| 33 | 77741 | GUIDA DESTRA-SINISTRA BACINELLA X TELAI | R-L BASIN GUIDE FOR FRAMES | GUIDE DX-SX CUVE X CHASSIS | FÜHRUNG RECHTS-LINKS SCHALE FÜR RAH |
| 34 | 72700 | COPRIGRUPPO AL/1 ARGENTA INOX LUC. | S.STEEL GROUP-COVER AL/1 ARGENTA | COUVRE-GROUPE INOX AL/1 ARGENTA | STAHL/GRUPPENDECKEL AL/1 ARGENTA |
| 34 | 72701 | COPRIGRUPPO AL/2 ARGENTA INOX LUC. | S.STEEL GROUP-COVER AL/2 ARGENTA | COUVRE-GROUPE INOX AL/2 ARGENTA | STAHL/GRUPPENDECKEL AL/2 ARGENTA |
| 34 | 72702 | COPRIGRUPPO AL/3 ARGENTA INOX LUC. | S.STEEL GROUP-COVER AL/3 ARGENTA | COUVRE-GROUPE INOX AL/3 ARGENTA | STAHL/GRUPPENDECKEL AL/3 ARGENTA |
| 34 | 72703 | COPRIGRUPPO AL/4 ARGENTA INOX LUC. | S.STEEL GROUP-COVER AL/4 ARGENTA | COUVRE-GROUPE INOX AL/4 ARGENTA | STAHL/GRUPPENDECKEL AL/4 ARGENTA |
| 35 | 70704 | FRONT.AL/1 ARG. INOX LUCIDO | FRONT PANEL AL/1 ARGENTA STEEL | PANNEAU FRONTAL AL/1 ARGENTA INOX | STIRNTAFEL AL/1 ARGENTA STAHL |
| 35 | 70714 | FRONT.AL/2 ARG. INOX LUCIDO | FRONT PANEL AL/2 ARGENTA STEEL | PANNEAU FRONTAL AL/2 ARGENTA INOX | STIRNTAFEL AL/2 ARGENTA STAHL |
| 35 | 70724 | FRONT.AL/3 ARG. INOX LUCIDO | FRONT PANEL AL/3 ARGENTA STEEL | PANNEAU FRONTAL AL/3 ARGENTA INOX | STIRNTAFEL AL/3 ARGENTA STAHL |
| 35 | 70734 | FRONT.AL/4 ARG. INOX LUCIDO | FRONT PANEL AL/4 ARGENTA STEEL | PANNEAU FRONTAL AL/4 ARGENTA INOX | STIRNTAFEL AL/4 ARGENTA STAHL |
| 36 | 60115 | SUPPORTO MANOMETRO AL | GAUGE SUPPORT - AL | SUPPORT MANOMETRE - AL | MANOMETERHALTER - AL |
| 37 | 21101 | MANOMETRO 3 ATM "B" INOX | STEEL PRESSURE GAUGE 3 ATM "B" | MANOMETRE INOX 3 ATM "B" | STAHLMANOMETER 3 ATM "B" |
| 38 | 70744 | FRONT.AEP/1 ARG. INOX LUCIDO | FRONT PANEL AEP/1 ARGENTA STEEL | PANNEAU FRONTAL AEP/1 ARGENTA INOX | STIRNTAFEL AEP/1 ARGENTA STAHL |
| 38 | 70754 | FRONT.AEP/2 ARG. INOX LUCIDO | FRONT PANEL AEP/2 ARGENTA STEEL | PANNEAU FRONTAL AEP/2 ARGENTA INOX | STIRNTAFEL AEP/2 ARGENTA STAHL |
| 38 | 70759 | FRONT.AEP/2 ARG. INOX L. SCTV | FRONT PANEL AEP/2 X CW STEEL | PANNEAU FRONTAL AEP/2 X CT INOX | STIRNTAFEL AEP/2 X TW STAHL |
| 38 | 70764 | FRONT.AEP/3 ARG. INOX LUCIDO | FRONT PANEL AEP/3 ARGENTA STEEL | PANNEAU FRONTAL AEP/3 ARGENTA INOX | STIRNTAFEL AEP/3 ARGENTA STAHL |



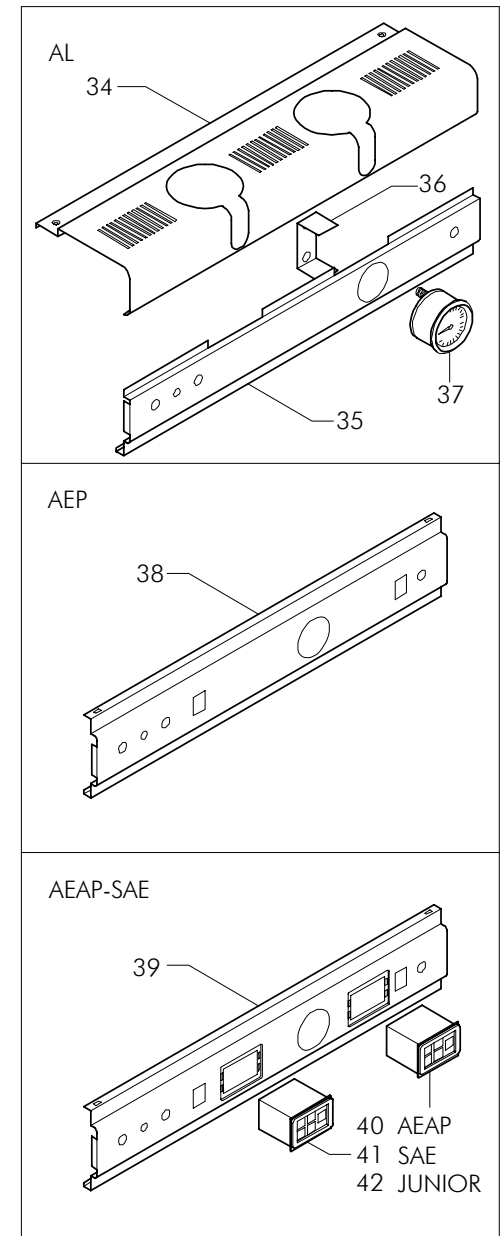
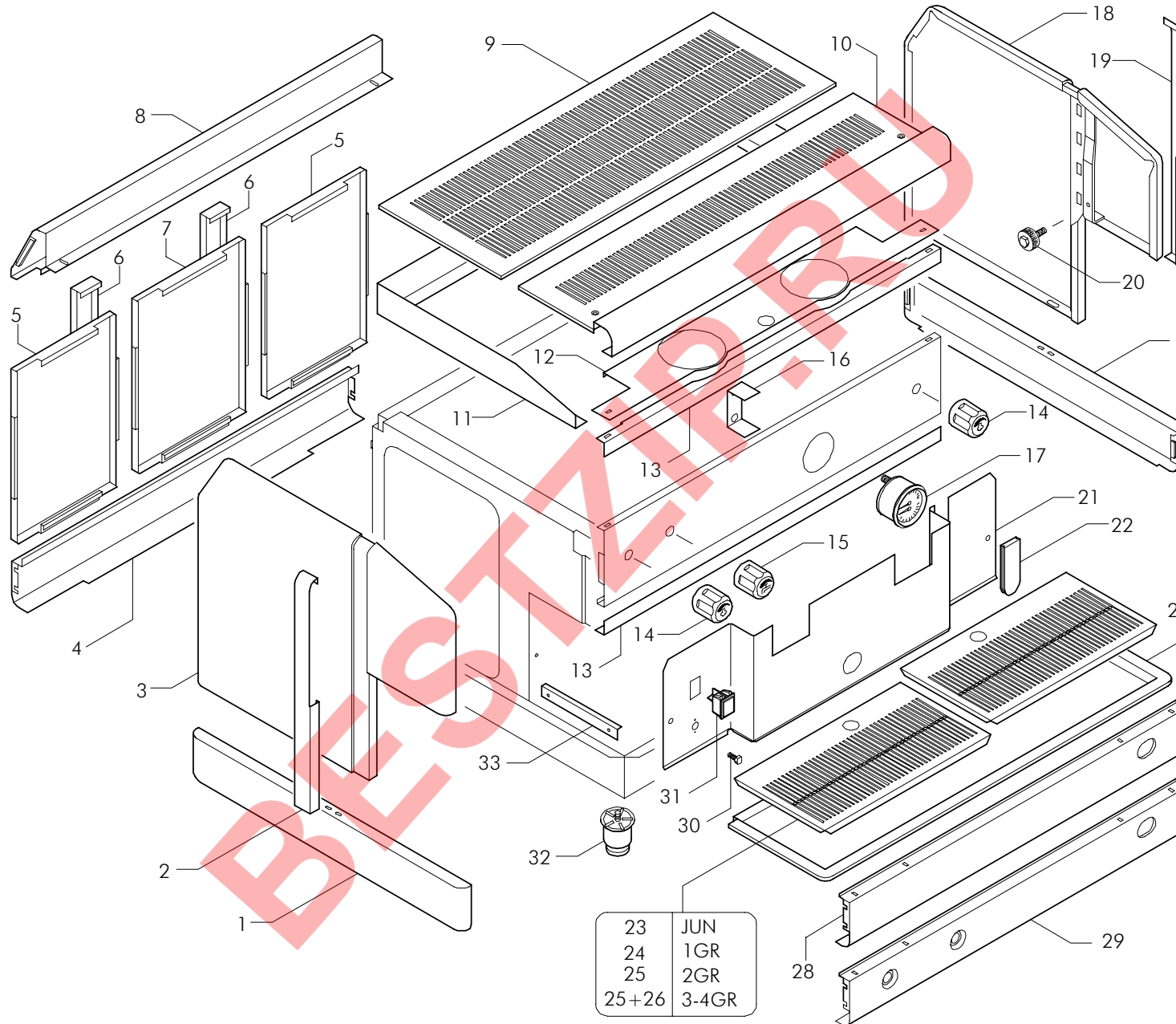
| Pos | Cod. | Denominazione - IT - | Denomination - GB - | Denomination - FR - | Denomination - DE - |
|-----|-------|-------------------------------------|------------------------------------|-------------------------------------|-----------------------------------|
| 38 | 70769 | FRONT.AEP/3 ARG. INOX L.SCTV | FRONT PANEL AEP/3 X CW STEEL | PANNEAU FRONTAL AEP/3 X CT INOX | STIRNTAFEL AEP/3 X TW STAHL |
| 38 | 70774 | FRONT.AEP/4 ARG. INOX LUCIDO | FRONT PANEL AEP/4 ARGENTA STEEL | PANNEAU FRONTAL AEP/4 ARGENTA INOX | STIRNTAFEL AEP/4 ARGENTA STAHL |
| 38 | 70779 | FRONT.AEP/4 ARG. INOX SCTV | FRONT PANEL AEP/4 X CW STEEL | PANNEAU FRONTAL AEP/4 X CT INOX | STIRNTAFEL AEP/4 X TW STAHL |
| 38 | 70784 | FRONT.AEP/JUN.ARG. INOX LUC. | FRONT PANEL AEP/JUN ARGENTA STEEL | PANNEAU FRONT. AEP/JUN ARGENTA INOX | STIRNTAFEL AEP/JUN ARGENTA STAHL |
| 38 | 70789 | FRONT.AEP/JUN.ARG. INOX M.I. | FRONT PANEL AEP/JUN ARGENTA STEEL | PANN.FRONT. AEP/JUN ARGENTA INOX | STIRNTAFEL AEP/JUN ARGENTA STAHL |
| 39 | 70794 | FRONT.AEAP/SAE 1GR ARG. INOX LUC | PANEL AEAP/SAE 1GR ARGENTA STEEL | PANNEAU AEAP/SAE 1GR ARGENTA INOX | TAFEL AEAP/SAE 1GR ARGENTA STAHL |
| 39 | 70804 | FRONT.AEAP/SAE 2GR ARG. INOX LUC | PANEL AEAP/SAE 2GR ARGENTA STEEL | PANNEAU AEAP/SAE 2GR ARGENTA INOX | TAFEL AEAP/SAE 2GR ARGENTA STAHL |
| 39 | 70810 | FRONT.AEAP/SAE 2GR ARG. INOX SCTV | PANEL AEAP/SAE 2GR X CW STEEL | PANNEAU AEAP/SAE 2GR X CT INOX | TAFEL AEAP/SAE 2GR X TW STAHL |
| 39 | 70814 | FRONT.AEAP/SAE 3GR ARG. INOX LUC | PANEL AEAP/SAE 3GR ARGENTA STEEL | PANNEAU AEAP/SAE 3GR ARGENTA INOX | TAFEL AEAP/SAE 3GR ARGENTA STAHL |
| 39 | 70820 | FRONT.AEAP/SAE 3GR ARG. INOX L.SCTV | PANEL AEAP/SAE 3GR X CW STEEL | PANNEAU AEAP/SAE 3GR X CT INOX | TAFEL AEAP/SAE 3GR X TW STAHL |
| 39 | 70824 | FRONT.AEAP-SAE/4 ARG. INOX LUC | PANEL AEAP/SAE 4GR ARGENTA STEEL | PANNEAU AEAP/SAE 4GR ARGENTA INOX | TAFEL AEAP/SAE 4GR ARGENTA STAHL |
| 39 | 70828 | FRONT.AEAP-SAE/4 ARG. INOX L. SCTV | PANEL AEAP/SAE 4GR X CW STEEL | PANNEAU AEAP/SAE 4GR X CT INOX | TAFEL AEAP/SAE 4GR X TW STAHL |
| 39 | 70834 | FRONT.AEAP/SAE JUN.ARG. INOX LUC | PANEL AEAP/SAE JUN ARGENTA STEEL | PANNEAU AEAP/SAE JUN ARGENTA INOX | TAFEL AEAP/SAE JUN ARGENTA STAHL |
| 39 | 70839 | FRONT.AEAP/SAE JUN.ARG. INOX M.I | FRONT PANEL AEAP/SAE JUN AR STEEL | PANN.FRONT. AEAP/SAE JUN AR INOX | STIRNTAFEL AEAP/SAE JUN AR STAHL |
| 40 | 21274 | TIMER 220/240V AEA 97 922051 | TIMER 220/240V | TIMER 220/240V | TIMER 220/240V |
| 40 | 21275 | TIMER 110/120V MOD.97 CON AEA CMA | TIMER 110/120V | TIMER 110/120V | TIMER 110/120V |
| 41 | 18077 | CENTRALINA 4GR UL 220V 951438 | GEARCASE MICROP.4GR 220V 950878 | CENTRALE MICROP.4GR 220V 950878 | MIKROP.STEUERUNG 4GR 220V 950878 |
| 42 | 18365 | PULS.TH SAE JUN 220V 951735 *97 | TOUCH PAD "TH" SAE JUN 220V 951605 | CLAVIER "TH" SAE JUN 220V 951605 | DRUCKKNOPFTAFEL "TH" SAE JUN 220V |
| 42 | 18366 | PULS.TH SAE JUN 110V 951736 *97 | TOUCH PAD "TH" SAE JUN 110V 951637 | CLAVIER "TH" SAE JUN 110V 951637 | DRUCKKNOPFTAFEL "TH" SAE JUN 110V |



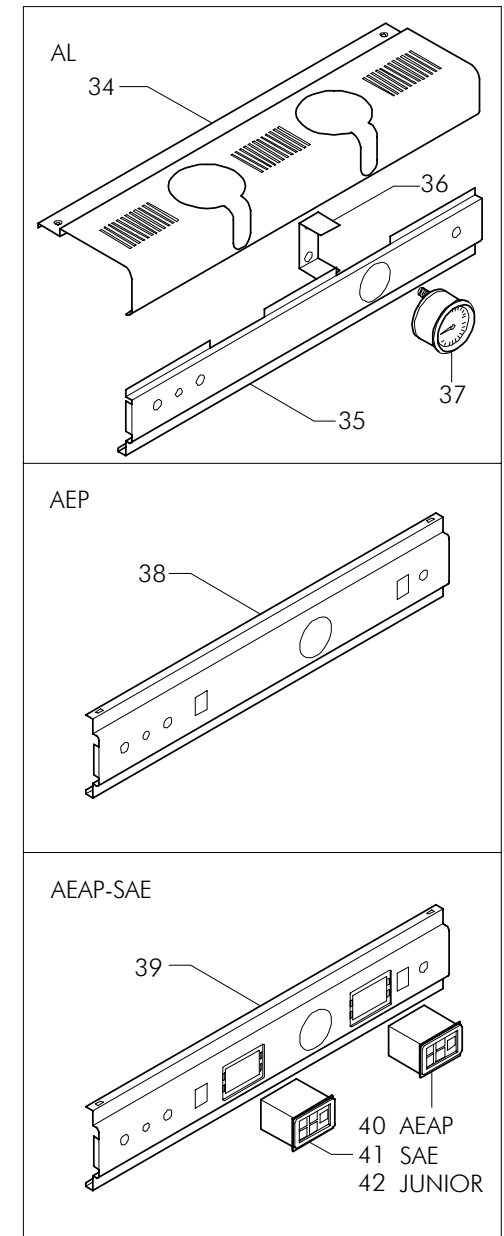
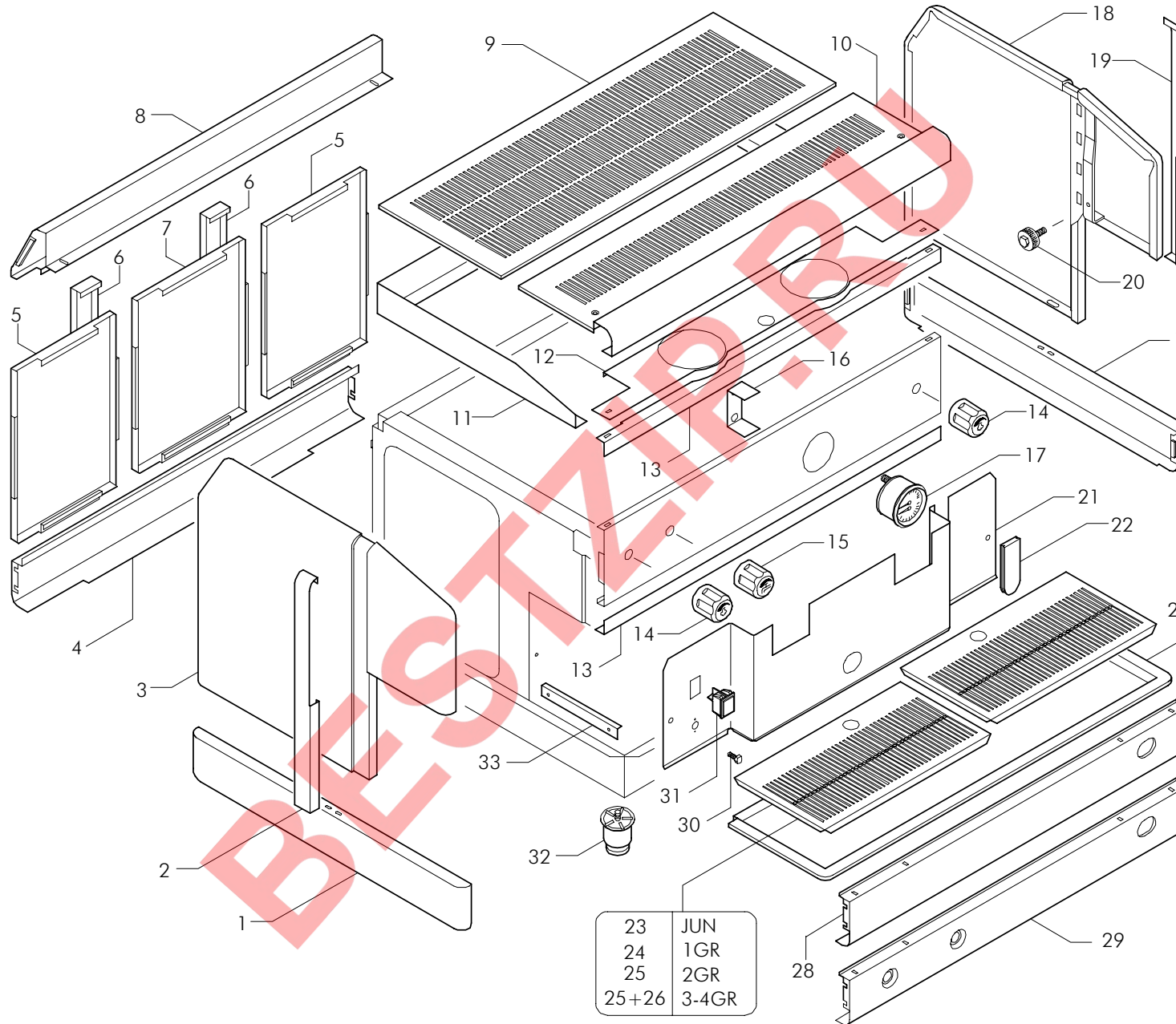
| Pos | Cod. | Denominazione - IT - | Denomination - GB - | Denomination - FR - | Denomination - DE - |
|-----|--------|--|--------------------------------------|-------------------------------------|-------------------------------------|
| 1 | 77455 | PROFILO BASAMENTO DESTRO-SINISTRO NERO/B | RH-LH BASE SECTION BLACK/PI | PROFIL BASE DX-SX NOIR/RECOU | GRUNDPROFIL RECHTS/LINKS SCHWA |
| 2 | 77496 | PROF.FIANCO SX ARGENTA NERO/B | LEFT SIDE STRIP ARG.BLACK | PROFILS POUR COTE GAUCHE ARG.NOIR | PROFIL FUR LINKE SEITE ARG.SCHWARZ |
| 3 | 73136 | FIANCO SX ARGENTA G/WINC | LEFT SIDE ARG.WINCHESTER | COTE G. ARGENTA WINCHESTER | SEITE LI. ARGENTA WINCESTER |
| 4 | 77472 | PROF.BAS.POST.1GR NERO/BUC | 1GR REAR BASE SECTION BLACK | PROFIL BASE POST. 1GR NOIR/R | HINTERGRUNDPROFIL1GR SCHWARZ/O |
| 4 | 77473 | PROF.BAS.POST.2GR NERO/BUC | 2GR REAR BASE SECTION BLACK | PROFIL BASE POST. 2GR NOIR/R | HINTER-GRUNDPROFIL.2GR SCHWARZ |
| 4 | 77474 | PROF.BAS.POST.3GR NERO/BUC | 3GR REAR BASE SECTION BLACK | PROFIL BASE POST. 3GR ARG. NOIR/R | HINTER-GRUNDPROFIL 3GR SCHWARZ |
| 4 | 77475 | PROF.BAS.POST.4GR NERO/BUC | 4GR REAR BASE SECTION BLACK | PROFIL BASE POST. 4GR NOIR | HINTER-GRUNDPROFIL 4GR SCHWARZ |
| 4 | 77476 | PROF.BAS.POST.JUN NERO/BUC | JUN REAR BASE SECTION BLACK | PROFIL BASE POST. JUN NOIR | HINTER-GRUNDPROFIL JUN SCHWARZ |
| 5 | 75281 | PANN.2-3-4GR ARGENTA G/WINC | PANEL 2-3-4GR ARG. WINCHESTER | PANNEAU 1-2-3-4 GR. ARG. | TAFEL 1-2-3-4 GR. ARG. WINCESTER |
| 6 | 77485 | PROF.PANN.NERO/BUC ARGENTA | PANEL STRIP ARGENTA - BLACK | PROFILS POUR PANNEAU ARG. - NOIR | PROFIL FUR TAFEL ARGENTA - SCHWARZ |
| 7 | 75275 | PANN.1-2-3-4GR ARGENTA G/WINC | PANEL 1-2-3-4GR ARG.WINCHESTER | PANNEAU 1-2-3-4 GR. ARG. | TAFEL 1-2-3-4 GR. ARGENTA WINCESTER |
| 7 | 75286 | PANN.JUN ARGENTA G/WINC | PANEL JUN ARG. - WINCHESTER | PANNEAU JUN ARG. | TAFEL JUN ARG. WINCESTER |
| 8 | 75516 | PANN.SUP.1GR NERO/BUC ARGENTA | TOP PANEL 1GR ARGENTA - BLACK | PANNEAU SUP.1GR ARGENTA - NOIR | OBERTAFEL 1GR ARGENTA - SCHWARZ |
| 8 | 75522 | PANN.SUP.2GR NERO/BUC ARGENTA | TOP PANEL 2GR ARGENTA - BLACK | PANNEAU SUP. 2GR ARGENTA - NOIR | OBERTAFEL 2GR ARGENTA - SCHWARZ |
| 8 | 75528 | PANN.SUP.3GR NERO/BUC ARGENTA | TOP PANEL 3GR ARGENTA - BLACK | PANNEAU SUP. 3GR ARGENTA - NOIR | OBERTAFEL 3GR ARGENTA - SCHWARZ |
| 8 | 75534 | PANN.SUP.4GR.NERO/BUC ARGENTA | TOP PANEL 4GR ARGENTA - BLACK | PANNEAU SUP. 4GR ARGENTA - NOIR | OBERTAFEL 4GR ARGENTA - SCHWARZ |
| 8 | 75540 | PANN.SUP.JUN NERO/BUC ARGENTA | TOP PANEL JUN ARGENTA - BLACK | PANNEAU SUP.JUN ARGENTA - NOIR | OBERTAFEL JUN ARGENTA - SCHWARZ |
| 9 | 76601 | GRIGLIA SUP.JUNIOR ARGENTA INOX LUC | TOP GRATE JUNIOR ARGENTA S.STEEL | GRILLE SUP. JUNIOR ARGENTA INOX | OBERGITTER JUNIOR ARGENTA STAHL |
| 9 | 76602 | GRIGLIA SUP.1GR ARGENTA INOX LUC. | TOP GRATE 1GR ARGENTA S.STEEL | GRILLE SUP.1GR ARGENTA INOX | OBERGITTER 1GR ARGENTA STAHL |
| 9 | 76603 | GRIGLIA SUP.2GR ARGENTA INOX LUC. | TOP GRATE 2GR ARGENTA S.STEEL | GRILLE SUP.2GR ARGENTA INOX | OBERGITTER 2GR ARGENTA STAHL |
| 9 | 76604 | GRIGLIA SUP.3GR ARGENTA INOX LUC. | TOP GRATE 3GR ARGENTA S.STEEL | GRILLE SUP.3GR ARGENTA INOX | OBERGITTER 3GR ARGENTA STAHL |
| 9 | 76605 | GRIGLIA SUP.4GR ARGENTA INOX LUC. | TOP GRATE 4GR ARGENTA S.STEEL | GRILLE SUP.4GR ARGENTA INOX | OBERGITTER 4GR ARGENTA STAHL |
| 10 | 72720 | COPRIGRUPPO ER.JUN.ARGENTA INOX LUC | GROUP-COVER DISTR.JUN ARG. -S.STEEL | COUVRE-GROUPE DEBIT JUN ARG. -INOX | GRUPPENDECKEL AUSG.JUN ARG. -STAHL |
| 10 | 72721 | COPRIGRUPPO ER.1GR ARGENTA INOX LUC | GROUP COVER DISTR.1GR ARG. -S.STEEL | COUVRE-GROUPE DEBIT 1GR ARG. -INOX | GRUPPENDECKEL AUSG.1GR ARG. -STAHL |
| 10 | 72722 | COPRIGRUPPO ER.2GR ARGENTA INOX LUC | GROUP-COVER DISTR.2GR ARG. -S.STEEL | COUVRE-GROUPE DEBIT 2GR ARG. -INOX | GRUPPENDECKEL AUSG.2GR ARG. -STAHL |
| 10 | 72723 | COPRIGRUPPO ER.3GR ARGENTA INOX LUC | GROUP-COVER DISTR.3GR ARG. -S.STEEL | COUVRE-GROUPE DEBIT 3GR ARG. -INOX | GRUPPENDECKEL AUSG.3GR ARG. - STAHL |
| 10 | 72724 | COPRIGRUPPO ER.4GR ARGENTA INOX LUC | GROUP-COVER DISTR.4GR ARG. - S.STEEL | COUVRE-GROUPE DEBIT 4GR ARG. - INOX | GRUPPENDECKEL AUSG.4GR ARG. - STAHL |
| 11 | 771970 | PROF.SUP.JUN.ARGENTA INOX LUC. | S.STEEL TOP SECTION JUN ARGENTA | PROFILS SUP. INOX JUN ARGENTA | STAHL-OBERUMRANDUNG JUN ARGENTA |
| 11 | 771971 | PROF.SUP.1GR ARGENTA INOX LUC. | S.STEEL TOP SECTION 1GR ARGENTA | PROFILS SUP. INOX 1GR ARGENTA | STAHL-OBERUMRANDUNG 1GR ARGENTA |
| 11 | 771972 | PROF.SUP.2GR ARGENTA INOX LUC. | S.STEEL TOP SECTION 2GR ARGENTA | PROFILS SUP. INOX 2GR ARGENTA | STAHL-OBERUMRANDUNG 2GR ARGENTA |
| 11 | 771973 | PROF.SUP.3GR ARGENTA INOX LUC. | S.STEEL TOP SECTION 3GR ARGENTA | PROFILS SUP. INOX 3GR ARGENTA | STAHL-OBERUMRANDUNG 3GR ARGENTA |
| 11 | 771974 | PROF.SUP.4GR ARGENTA INOX LUC. | S.STEEL TOP SECTION 4GR ARGENTA | PROFILS SUP. INOX 4GR ARGENTA | STAHL-OBERUMRANDUNG 4GR ARGENTA |
| 12 | 77274 | COPRIMPIANTO JUNIOR | CABLE-COVER JUNIOR | COUVRE-CABLAGE JUNIOR | VERDRAHTUNGDECKEL JUNIOR |
| 12 | 77275 | COPRIMPIANTO 1GR | CABLE-COVER 1GR | COUVRE-CABLAGE 1GR | VERDRAHTUNGDECKEL 1GR |
| 12 | 77276 | COPRIMPIANTO 2GR | CABLE-COVER 2GR | COUVRE-CABLAGE 2GR | VERDRAHTUNGDECKEL 2GR |
| 12 | 77277 | COPRIMPIANTO 3GR | CABLE-COVER 3GR | COUVRE-CABLAGE 3GR | VERDRAHTUNGDECKEL 3GR |
| 12 | 77278 | COPRIMPIANTO 4GR | CABLE-COVER 4GR | COUVRE-CABLAGE 4GR | VERDRAHTUNGDECKEL 4GR |
| 13 | 775702 | PROF.FRONT.1GR NERO/B ARGENTA | PANEL STRIP 1GR ARGENTA BLACK | PROFILSPANNEAU 1GR ARGENTA NOIR | PROFILXTAFEL 1GR ARGENTA SCHWARZ |
| 13 | 775712 | PROF.FRONT.2GR NERO/B ARGENTA | SURROUND X PANEL 2GR ARGENTA BLACK | PROFILS X PANNEAU 2GR ARGENTA NOIR | PROFIL X TAFEL 2GR ARGENTA SCHWARZ |



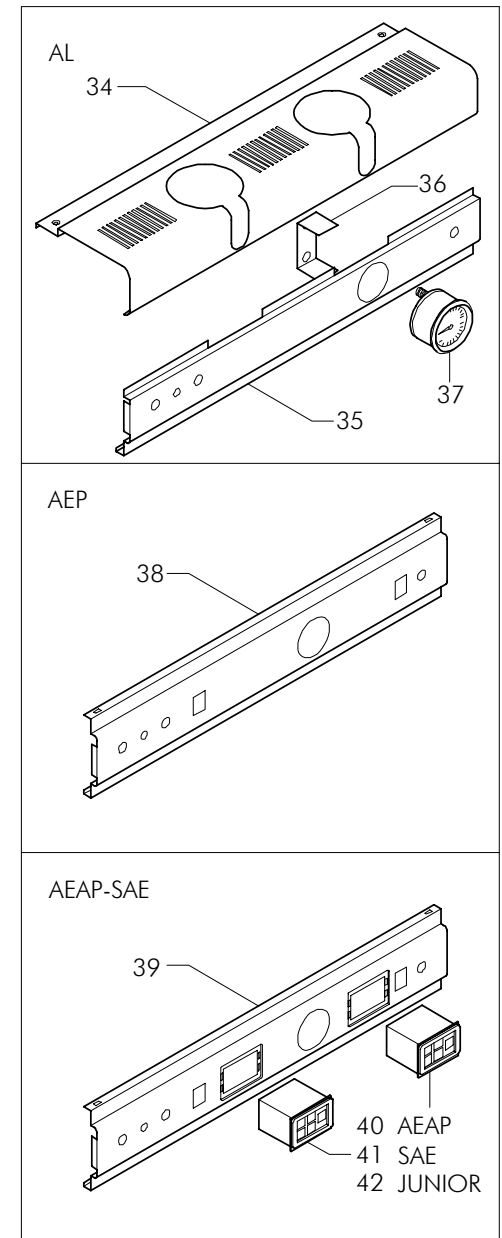
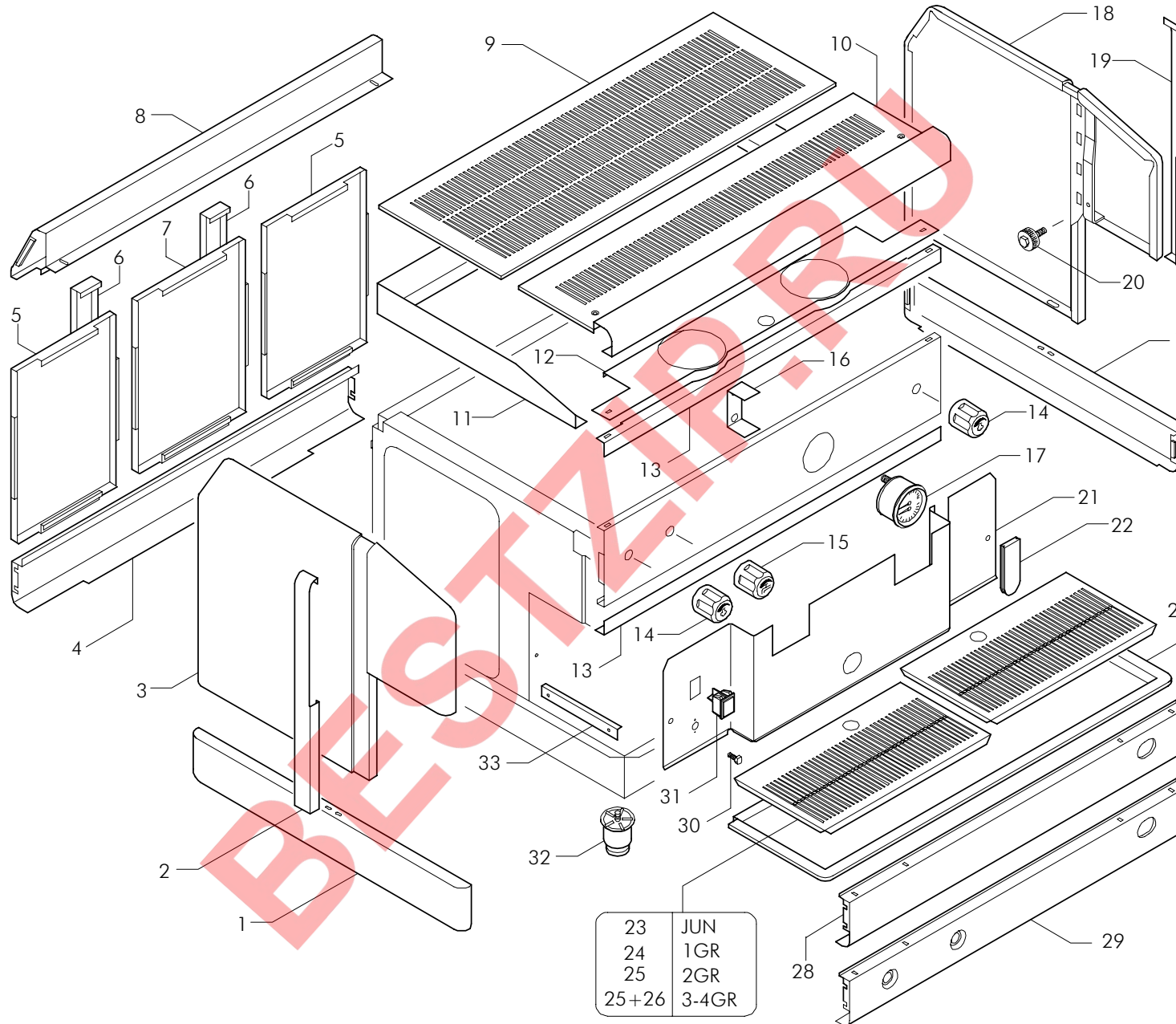
| Pos | Cod. | Denominazione - IT - | Denomination - GB - | Denomination - FR - | Denomination - DE - |
|-----|----------|---------------------------------------|---|------------------------------------|-------------------------------------|
| 13 | 775722 | PROF.FRONT.3GR NERO/B ARGENTA | SURROUND X PANEL 3GR ARGENTA BLACK | PROFILS X PANNEAU 3GR ARGENTA NOIR | PROFIL X TAFEL 3GR ARGENTA SCHWARZ |
| 13 | 775732 | PROF.FRONT.4GR NERO/B ARGENTA | SURROUND X PANEL 4GR ARGENTA BLACK | PROFILS X PANNEAU 4GR ARGENTA NOIR | PROFIL X TAFEL 4GR ARGENTA SCHWARZ |
| 13 | 775742 | PROF.FRONT.JUN.NERO/B ARGENTA | SURROUND X PANEL JUN ARGENTA BLACK | PROFILS X PANNEAU JUN ARGENTA NOIR | PROFIL X TAFEL JUN ARGENTA SCHWARZ |
| 14 | 15265 | MANOPOLA RUBINETTO VAPORE | STEAM TAP KNOB | POIGNEE ROBINET VAPEUR | DAMPFHAHNGRIFF |
| 15 | 15264 | MANOPOLA RUBINETTO H2O | WATER TAP KNOB | POIGNEE ROBINET EAU | WASSERHAHNGRIFF |
| 16 | 60110 | SUPPORTO MANOMETRO ER | GAUGE SUPPORT - DISTRIBUTION | SUPPORT MANOMETRE - DEBIT | MANOMETERHALTER - AUSGABE |
| 17 | 21100 | MANOMETRO D.SCALA "A" INOX | PRESSURE GAUGE 'A' -STAINLESS STEEL | MANOMETRE 'A' - INOX | MANOMETER 'A' - STAHL |
| 18 | 73145 | FIANCO DX ARGENTA G/WINC | RIGHT SIDE ARG. WINCHESTER | PANNEAU LATERAL DX WINCESTER | BLLENDE RE. ARG. WINCESTER |
| 19 | 77491 | PROF.FIANCO DX ARGENTA NERO/B | RIGHT SIDE STRIP ARG. BLACK | PROFILS POUR COTE DROIT ARG. NOIR | PROFIL FUR RECHTE SEITE ARG.SCHWARZ |
| 20 | 23100 | POMELLO FISSAGGIO FIANCHETTO FE/Z | SIDE FIXING SCREW FE/Z | POMMEAU DE FIXAGE FE/Z | BEFESTIGUNGSGRIFF FE/Z |
| 21 | 77840 | COPRICALDAIA JUN INOX/LUC | S.STEEL BOILER COVER JUN ARG. | COUVRE-CHAUDIERE INOX JUN ARG. | STAHLKESSELDECKEL JUN ARG. |
| 21 | 77841 | COPRICALDAIA 1GR INOX LUC. | S.STEEL BOILER COVER 1GR | COUVRE-CHAUDIERE INOX 1GR | KESSELDECKEL 1GR STAHL |
| 21 | 77842 | COPRICALDAIA 2GR INOX LUC. | S.STEEL BOILER COVER 2GR | COUVRE-CHAUDIERE INOX 2GR | KESSELDECKEL 2GR STAHL |
| 21 | 77843 | COPRICALDAIA 3GR INOX LUC. | S.STEEL BOILER COVER 3GR | COUVRE-CHAUDIERE INOX 3GR | KESSELDECKEL 3GR STAHL |
| 21 | 77844 | COPRICALDAIA 4GR INOX LUC. | S.STEEL BOILER COVER 4GR | COUVRE-CHAUDIERE INOX 4GR | STAHLKESSELDECKEL 4GR |
| 22 | 21200 | SEGNALIVELLO OVE TUV INCOLORE | LEVEL INDICATOR WINDOW OVE-TUV | INDICATEUR DE NIVEAU OVE-TUV | NIVEAUANZEIGER OVE-TUV |
| 23 | 76152000 | GRIGLIA INF.WN01 INOX LUC.316X201 | LOWER GRILL 316X201 - SHINY S.STEEL | GRILLE INF.INOX 316X201 | STAHL-UNTERGITTER 316X201 |
| 24 | 76153000 | GRIGLIA INF.WN01 INOX LUC.456X201 | LOWER GRILL 456X201 SHINY S.STEEL | GRILLE INF.INOX 456X201 | STAHL-UNTERGITTER 456X201 |
| 25 | 76154000 | GRIGLIA INF.DX WN01 IN/LUC.338.5X201 | RIGHT LOWER GRILL -SHINY S.STEEL | GRILLE INF.DROIT INOX 338,5X201 | STAHL-UNTER-RECHTEGITTER 338,5X201 |
| 25 | 76155000 | GRIGLIA INF.SX WN01 IN/LUC.338.5X201 | LEFT LOWER GRILL - SHINY S.STEEL | GRILLE INF.GAUCHE INOX 338,5X201 | STAHL-UNTER-LINKEGITTER 338,5X201 |
| 26 | 76156000 | GRIGLIA INF.WN01 INOX LUC. 253X201 | LOWER GRILL 253X201 - SHINY S.STEEL | GRILLE INF.INOX 253X201 | STAHL-UNTERGITTER 253X201 |
| 27 | 76094 | BACINELLA JUN INOX LUCIDO | TRAY JUN S.STEEL | CUVE JUN INOX | STAHLSCHALE JUN |
| 27 | 76095 | BACINELLA 1GR INOX LUCIDO | 1GR GLOSSY STAINLESS STEEL | CUVE 1GR INOX BRILLANT | STAHLSCHALE 1GR |
| 27 | 76096 | BACINELLA 2GR INOX LUCIDO | 2GR GLOSSY STAINLESS STEEL | CUVE 2GR INOX BRILLANT | STAHLSCHALE 2GR |
| 27 | 76097 | BACINELLA 3GR INOX LUCIDO | 3GR GLOSSY STAINLESS STEEL | CUVE 3GR INOX BRILLANT | STAHLSCHALE 3GR |
| 27 | 76098 | BACINELLA 4GR INOX LUCIDO | 4GR GLOSSY STAINLESS STEEL | CUVE 4GR INOX BRILLANT | STAHLSCHALE 4GR |
| 28 | 77460 | PROF.BAS.ANT.1GR AR/WN NERO/BUC | FRONT BASE SURROUND 1GR ARG.BLACK | PROFILS BASE ANT.1GR ARG.NOIR | STIRN-GRUNDPROFIL 1GR ARG.SCHWARZ |
| 28 | 77461 | PROF.BAS.ANT.2GR AR/WN NERO/BUC | FRONT BASE SURROUND 2GR ARG.BLACK | PROFILS BASE ANT.2GR ARG.NOIR | STIRN-GRUNDPROFIL 2GR ARG.SCHWARZ |
| 28 | 77462 | PROF.BAS.ANT.3GR AR/WN NERO/BUC | FRONT BASE SURROUND 3GR ARG.BLACK | PROFILS BASE ANT.3GR ARG.NOIR | STIRN-GRUNDPROFIL 3GR ARG.SCHWARZ |
| 28 | 77463 | PROF.BAS.ANT.4GR AR/WN NERO/BUC | FRONT BASE SURROUND 4GR ARG.BLACK | PROFILS BASE ANT.4GR ARG.NOIR | STIRN-GRUNDPROFIL 4GR ARG.SCHWARZ |
| 28 | 77464 | PROF.BAS.ANT.JUN.AR/WN NERO/BUC | FRONT BASE SURROUND JUN ARG.BLACK | PROFILS BASE ANT. JUN ARG.NOIR | STIRN-GRUNDPROFIL JUN ARG.SCHWARZ |
| 29 | 774561 | PROF.BAS.ANT.1GR AR/WN NERO/BUC GAS | BASE SURROUND 1GR ARG.BLACK X GAS | PROFILS BASE 1GR ARG.NOIR X GAZ | GRUNDPROFIL 1GR ARG.SCHWARZ X GAS |
| 29 | 774562 | PROF.BAS.ANT.2GR AR/WN NERO/BUC GAS | BASE SURROUND 2GR ARG.BLACK X GAS | PROFILS BASE 2GR ARG.NOIR X GAZ | GRUNDPROFIL 2GR ARG.SCHWARZ X GAS |
| 29 | 774563 | PROF.BAS.ANT.3GR AR/WN NERO/BUC GAS | BASE SURROUND 3GR ARG.BLACK X GAS | PROFILS BASE 3GR ARG.NOIR X GAZ | GRUNDPROFIL 3GR ARG.SCHWARZ X GAS |
| 29 | 774564 | PROF.BAS.ANT.4GR AR/WN NERO/BUC GAS | BASE SURROUND 4GR ARG.BLACK X GAS | PROFILS BASE 4GR ARG.NOIR X GAZ | GRUNDPROFIL 4GR ARG.SCHWARZ X GAS |
| 30 | 23420 | VITE TE OTTONE M6X12 NICHELATA | M6X12NICKEL-PLATED BRASS HEX.HEAD SCREW | VIS TH LAITON M6X12 NICKEL | SECHSKANTSCHRAUBE AUS MESSING M6X12 |
| 31 | 15486002 | TAPPO FORO INTERRUPTORE | SWITCH HOLE PLUG | CAPUCHON TROU INTERRUPT. | ABDECKUNG SCHALTERLOCH |
| 32 | 15315 | PIEDINO REGOLAB. CROM. 435 9-15 ETL | CHROMED ADJUSTABLE FOOT 435 9-15 ETL | PIED REGLABLE CHROME 435 9-15 ETL | REGELBARER FUSS CHROM 435 9-15 ETL |
| 32 | 15316 | PIEDINO REGOLABILE NERO CROM. 435-PS3 | ADJUS.FOOT 435-PS3 BLACK-PI3.5 | PIED REGL. 435-PS3 BLACK-PI3.5 | REGELBARFUSS 435-PS3 BLACK-PI3.5 |



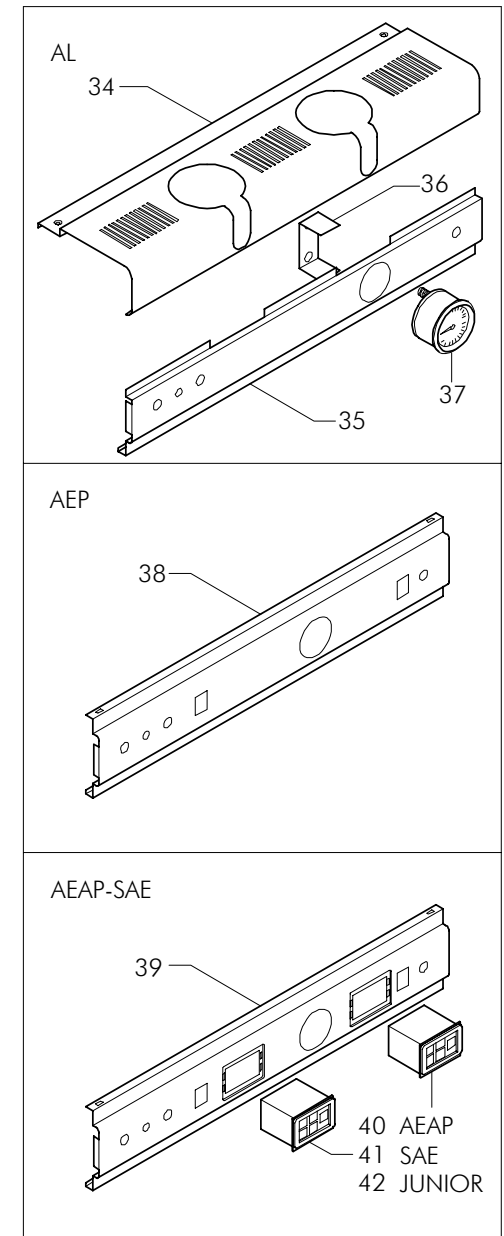
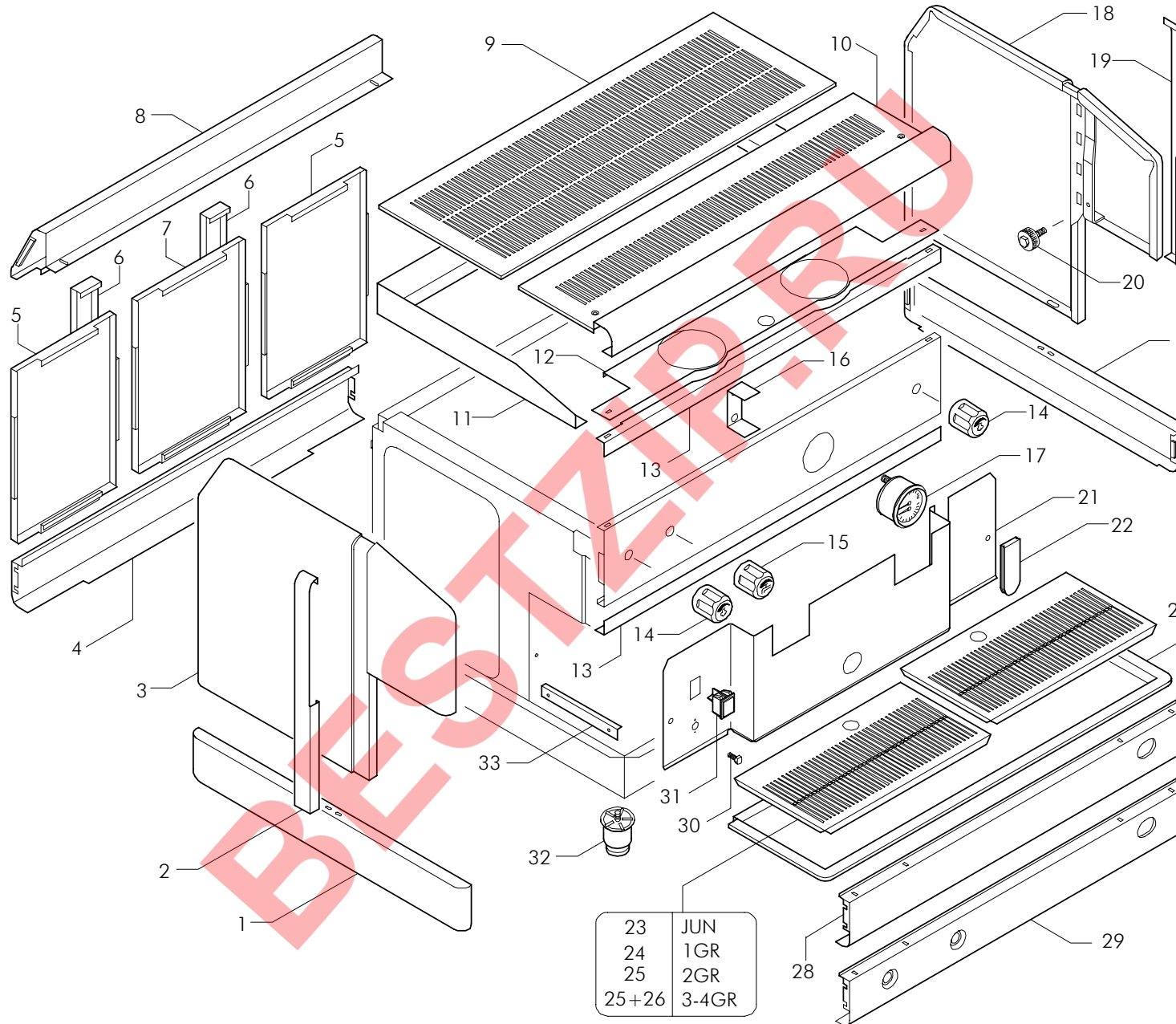
| Pos | Cod. | Denominazione - IT - | Denomination - GB - | Denomination - FR - | Denomination - DE - |
|-----|--------|---|--|--|---|
| 33 | 77741 | GUIDA DESTRA-SINISTRA BACINELLA X TELAI | R-L BASIN GUIDE FOR FRAMES | GUIDE DX-SX CUVE X CHASSIS | FÜHRUNG RECHTS-LINKS SCHALE FÜR RAH |
| 34 | 72700 | COPRIGRUPPO AL/1 ARGENTA INOX LUC. | S.STEEL GROUP-COVER AL/1 ARGENTA | COUVRE-GROUPE INOX AL/1 ARGENTA | STAHL/GRUPPENDECKEL AL/1 ARGENTA |
| 34 | 72701 | COPRIGRUPPO AL/2 ARGENTA INOX LUC. | S.STEEL GROUP-COVER AL/2 ARGENTA | COUVRE-GROUPE INOX AL/2 ARGENTA | STAHL/GRUPPENDECKEL AL/2 ARGENTA |
| 34 | 72702 | COPRIGRUPPO AL/3 ARGENTA INOX LUC. | S.STEEL GROUP-COVER AL/3 ARGENTA | COUVRE-GROUPE INOX AL/3 ARGENTA | STAHL/GRUPPENDECKEL AL/3 ARGENTA |
| 34 | 72703 | COPRIGRUPPO AL/4 ARGENTA INOX LUC. | S.STEEL GROUP-COVER AL/4 ARGENTA | COUVRE-GROUPE INOX AL/4 ARGENTA | STAHL/GRUPPENDECKEL AL/4 ARGENTA |
| 35 | 70705 | FRONT .AL/1 ARG.G/WINC | FRONT PANEL AL/1 ARGENTA WINCESTER | PANNEAU AL/1 ARGENTA WINCESTER | STIRNTAFEL AL/1 ARGENTA WINCESTER |
| 35 | 70715 | FRONT .AL/2 ARG.G/WINC | FRONT PANEL AL/2 ARGENTA WINCESTER | PANNEAU FRONTAL AL/2 ARGENTA WINCESTER | STIRNTAFEL AL/2 ARGENTA WINCESTER |
| 35 | 70725 | FRONT .AL/3 ARG.G/WINC | FRONT PANEL AL/3 ARGENTA WINCESTER | PANNEAU FRONTAL AL/3 ARGENTA WINCESTER | STIRNTAFEL AL/3 ARGENTA WINCESTER |
| 35 | 70735 | FRONT .AL/4 ARG.G/WINC | FRONT PANEL AL/4 ARGENTA WINCESTER | PANNEAU FRONTAL AL/4 ARGENTA WINCESTER | STIRNTAFEL AL/4 ARGENTA WINCESTER |
| 36 | 60115 | SUPPORTO MANOMETRO AL | GAUGE SUPPORT - AL | SUPPORT MANOMETRE - AL | MANOMETERHALTER - AL |
| 37 | 21101 | MANOMETRO 3 ATM "B" INOX | STEEL PRESSURE GAUGE 3 ATM "B" | MANOMETRE INOX 3 ATM "B" | STAHLMANOMETER 3 ATM "B" |
| 38 | 70745 | FRONT .AEP/1 ARG.G/WINC | FRONT PANEL AEP/1 ARGENTA WINCESTER | PANNEAU FRONTAL AEP/1 ARGENTA WINCESTER | STIRNTAFEL AEP/1 ARGENTA WINCESTER |
| 38 | 70755 | FRONT .AEP/2 ARG.G/WINC | FRONT PANEL AEP/2 ARGENTA WINCESTER | PANNEAU FRONTAL AEP/2 ARGENTA WINCESTER | STIRNTAFEL AEP/2 ARGENTA WINCESTER |
| 38 | 70760 | FRONT .AEP/2 ARG.G/WINC SCTV | FRONT PANEL AEP/2 X C.W. ARG.WINCESTER | PANNEAU FRONTAL AEP/2 X C-T ARG.WINCESTE | STIRNTAFEL AEP/2 X T.W.ARG.WINCESTER |
| 38 | 70765 | FRONT .AEP/3 ARG.G/WINC | FRONT PANEL AEP/3 ARGENTA WINCESTER | PANNEAU FRONTAL AEP/3 ARGENTA WINCESTER | STIRNTAFEL AEP/3 ARGENTA WINCESTER |
| 38 | 70770 | FRONT .AEP/3 ARG.G/WINC SCTV | FRONT PANEL AEP/3 X C.W.ARGENTA WINCESTE | PANNEAU FRONTAL AEP/3 X C-T ARG.WINCESTE | STIRNTAFEL AEP/3 X T.W.ARG.WINCESTER |
| 38 | 70775 | FRONT .AEP/4 ARG.G/WINC | FRONT PANEL AEP/4 ARGENTA WINCESTER | PANNEAU FRONTAL AEP/4 ARGENTA WINCESTER | STIRNTAFEL AEP/4 ARGENTA WINCESTER |
| 38 | 70780 | FRONT .AEP/4 ARG.G/WINC SCTV | FRONT PANEL AEP/4 X C.W. WINCESTER | PANNEAU FRONTAL AEP/4 X C.T. WINCESTER | STIRNTAFEL AEP/4 X C.T. WINCESTER |
| 39 | 70796 | FRONT .AEAP/SAE 1GR ARG.G/WINC | PANEL AEAP/SAE 1GR ARGENTA WINCESTER | PANNEAU AEAP/SAE 1GR ARGENTA WINCESTER | STRINTAFEL AEAP/SAE 1GR ARGENTA WINCESTE |
| 39 | 708050 | FRONT .AEAP/SAE 2GR ARG.G/WINC | PANEL AEAP/SAE 2GR ARGENTA WINCESTER | PANNEAU AEAP/SAE 2GR ARGENTA WINCESTER | STRINTAFEL AEAP/SAE 2GR ARGENTA WINCESTE |
| 39 | 70809 | FRONT .AEAP/SAE 2GR ARG.G/WINC SCTV | FRONT PANEL AEAP/SAE 2GRXCW ARG.WINCESTE | PANNEAU AEAP/SAE 2GRXCT ARG.WINCESTER | STRINTAFEL AEAP/SAE 2GRXTW ARG.WINCESTER |
| 39 | 70815 | FRONT .AEAP/SAE 3GR ARG.G/WINC | PANEL AEAP/SAE 3GR ARGENTA WINCESTER | PANNEAU AEAP/SAE 3GR ARGENTA WINCESTER | STIRNTAFEL AEAP/SAE 3GR ARGENTA WINCESTE |
| 39 | 70819 | FRONT .AEAP/SAE 3GR ARG.G/WINC SCTV | PANEL AEAP/SAE 3GRXCW ARG.WINCESTER | PANNEAU AEAP/SAE 3GRXCT ARG.WINCESTER | STRINTAFEL AEAP/SAE 3GRXTW ARG.WINCESTER |
| 39 | 70825 | FRONT .AEAP-SAE/4 ARG.G/WINC | PANEL AEAP/SAE 4GR ARGENTA WINCESTER | PANNEAU AEAP/SAE 4GR ARGENTA WINCESTER | STIRNTAFEL AEAP/SAE 4GR ARGENTA WINCESTER |
| 39 | 70830 | FRONT .AEAP-SAE/4 ARG.G/WINC SCTV | FRONT PANEL AEAP/SAE 4GR X CW WINCESTER | PANNEAU FRONTAL AEAP/SAE 4GR X CT WINCES | STIRNTAFEL AEAP/SAE 4GR X TW WINCESTER |
| 39 | 70835 | FRONT .AEAP/SAE JUN ARG.G/WINC | FRONT PANEL AEAP/SAE JUN ARG.WINCESTER | PANNEAU FRONTAL AEAP/SAE JUN ARG.WINCEST | STIRNTAFEL AEAP/SAE JUN ARG.WINCESTER |
| 39 | 70840 | FRONT .AEAP/SAE JUN ARG.G/WINC M. I | FRONT PANEL AEAP/SAE JUN ARG.M. I. WINC. | PANNEAU FRONTAL AEAP/SAE JUN ARG.M. I. WIN | STIRNTAFEL AEAP/SAE JUN ARG.M. I. WINC. |
| 40 | 21274 | TIMER 220/240V AEA 97 922051 | TIMER 220/240V | TIMER 220/240V | TIMER 220/240V |
| 40 | 21275 | TIMER 110/120V MOD.97 CON AEA CMA | TIMER 110/120V | TIMER 110/120V | TIMER 110/120V |
| 41 | 18077 | CENTRALINA 4GR UL 220V 951438 | GEARCASE MICROP. 4GR 220V 950878 | CENTRALE MICROP. 4GR 220V 950878 | MIKROP. STEUERUNG 4GR 220V 950878 |
| 42 | 18365 | PULS. TH SAE JUN 220V 951735 *97 | TOUCH PAD "TH" SAE JUN 220V 951605 | CLAVIER "TH" SAE JUN 220V 951605 | DRUCKKNOPFTAFEL "TH" SAE JUN 220V |
| 42 | 18366 | PULS. TH SAE JUN 110V 951736 *97 | TOUCH PAD "TH" SAE JUN 110V 951637 | CLAVIER "TH" SAE JUN 110V 951637 | DRUCKKNOPFTAFEL "TH" SAE JUN 110V |



| Pos | Cod. | Denominazione - IT - | Denomination - GB - | Denomination - FR - | Denomination - DE - |
|-----|--------|--|---|--------------------------------------|-------------------------------------|
| 1 | 77455 | PROFILO BASAMENTO DESTRO-SINISTRO NERO/B | RH-LH BASE SECTION BLACK/PI | PROFIL BASE DX-SX NOIR/RECOU | GRUNDPROFIL RECHTS/LINKS SCHWA |
| 2 | 77495 | PROFILO FIANCO SINISTRO OTTONATO | SURROUND FOR LEFT SIDE BRASS | PROFILS POUR COTE GAUCHE LAITON | PROFIL FUR LINKE SEITE MESSING |
| 3 | 73135 | FIANCO SX ARGENTA NERO LUCIDO | LEFT SIDE ARGENTA SHINY BLACK | COTE GAUCHE NOIR | SEITE SCHWARZ |
| 4 | 77472 | PROF.BAS.POST.1GR NERO/BUC | 1GR REAR BASE SECTION BLACK | PROFIL BASE POST. 1GR NOIR/R | HINTERGRUNDPROFIL1GR SCHWARZ/O |
| 4 | 77473 | PROF.BAS.POST.2GR NERO/BUC | 2GR REAR BASE SECTION BLACK | PROFIL BASE POST. 2GR NOIR/R | HINTER-GRUNDPROFIL.2GR SCHWARZ |
| 4 | 77474 | PROF.BAS.POST.3GR NERO/BUC | 3GR REAR BASE SECTION BLACK | PROFIL BASE POST. 3GR ARG. NOIR/R | HINTER-GRUNDPROFIL 3GR SCHWARZ |
| 4 | 77475 | PROF.BAS.POST.4GR NERO/BUC | 4GR REAR BASE SECTION BLACK | PROFIL BASE POST. 4GR NOIR | HINTER-GRUNDPROFIL 4GR SCHWARZ |
| 4 | 77476 | PROF.BAS.POST.JUN NERO/BUC | JUN REAR BASE SECTION BLACK | PROFIL BASE POST. JUN NOIR | HINTER-GRUNDPROFIL JUN SCHWARZ |
| 5 | 75280 | PANN.2-3-4GR NERO LUCIDO ARGENTA | ARGENTA 2-3-4 GROUP PANEL SHINY BLACK | PANNEAU 2-3-4GR NOIR | TAFEL 2-3-4GR SCHEARZ |
| 6 | 77484 | PROFILO PANNELLO OTTONATO | SURROUND FOR PANEL BRASS | PROFILS POUR PANNEAU LAITON | PROFIL FUR TAFEL MESSING |
| 7 | 75274 | PANN.1-2-3-4GR NERO LUCIDO ARGENTA | ARGENTA 1-2-3-4 GROUP PANEL SHINY BLACK | PANNEAU 1-2-3-4GR NOIR | TAFEL 1-2-3-4GR SCHWARZ |
| 7 | 75287 | PANN.JUN NERO LUCIDO ARGENTA | PANEL JUN BLACK | PANNEAU JUN NOIR | TAFEL JUN SCHWARZ |
| 8 | 75519 | PANN.SUP.1GR NERO/LUC ARGENTA | TOP PANEL 1GR BLACK | PANNEAU SUP. 1GR NOIR | TAFEL 1GR SCHWARZ |
| 8 | 75525 | PANN.SUP.2GR NERO/LUC ARGENTA | TOP PANEL 2GR BLACK | PANNEAU SUP. 2GR NOIR | TAFEL 2GR SCHWARZ |
| 8 | 75531 | PANN.SUP.3GR NERO/LUC ARGENTA | TOP PANEL 3GR BLACK | PANNEAU SUP. 3GR NOIR | TAFEL 3GR SCHWARZ |
| 8 | 75537 | PANN.SUP.4GR NERO/LUC ARGENTA | TOP PANEL 4GR BLACK | PANNEAU SUP. 4GR NOIR | TAFEL 4GR SCHWARZ |
| 8 | 75543 | PANN.SUP.JUN NERO/LUC ARGENTA | TOP PANEL JUN BLACK | PANNEAU SUO. 4GR NOIR | TAFEL 4GR SCHWARZ |
| 9 | 76601 | GRIGLIA SUP.JUNIOR ARGENTA INOX LUC | TOP GRATE JUNIOR ARGENTA S.STEEL | GRILLE SUP. JUNIOR ARGENTA INOX | OBERGITTER JUNIOR ARGENTA STAHL |
| 9 | 76602 | GRIGLIA SUP.1GR ARGENTA INOX LUC. | TOP GRATE 1GR ARGENTA S.STEEL | GRILLE SUP.1GR ARGENTA INOX | OBERGITTER 1GR ARGENTA STAHL |
| 9 | 76603 | GRIGLIA SUP.2GR ARGENTA INOX LUC. | TOP GRATE 2GR ARGENTA S.STEEL | GRILLE SUP.2GR ARGENTA INOX | OBERGITTER 2GR ARGENTA STAHL |
| 9 | 76604 | GRIGLIA SUP.3GR ARGENTA INOX LUC. | TOP GRATE 3GR ARGENTA S.STEEL | GRILLE SUP.3GR ARGENTA INOX | OBERGITTER 3GR ARGENTA STAHL |
| 9 | 76605 | GRIGLIA SUP.4GR ARGENTA INOX LUC. | TOP GRATE 4GR ARGENTA S.STEEL | GRILLE SUP.4GR ARGENTA INOX | OBERGITTER 4GR ARGENTA STAHL |
| 10 | 72720 | COPRIGRUPPO ER.JUN.ARGENTA INOX LUC | GROUP-COVER DISTR.JUN ARG. -S.STEEL | COUVRE-GROUPE DEBIT JUN ARG. -INOX | GRUPPENDECKEL AUSG.JUN ARG. -STAHL |
| 10 | 72721 | COPRIGRUPPO ER.1GR ARGENTA INOX LUC | GROUP COVER DISTR.1GR ARG. -S.STEEL | COUVRE-GROUPE DEBIT 1GR ARG. -INOX | GRUPPENDECKEL AUSG.1GR ARG. -STAHL |
| 10 | 72722 | COPRIGRUPPO ER.2GR ARGENTA INOX LUC | GROUP-COVER DISTR.2GR ARG. -S.STEEL | COUVRE-GROUPE DEBIT 2GR ARG. -INOX | GRUPPENDECKEL AUSG.2GR ARG. -STAHL |
| 10 | 72723 | COPRIGRUPPO ER.3GR ARGENTA INOX LUC | GROUP-COVER DISTR.3GR ARG. -S.STEEL | COUVRE-GROUPE DEBIT 3GR ARG. -INOX | GRUPPENDECKEL AUSG.3GR ARG. - STAHL |
| 10 | 72724 | COPRIGRUPPO ER.4GR ARGENTA INOX LUC | GROUP-COVER DISTR.4GR ARG. - S.STEEL | COUVRE-GROUPE DEBIT 4GR ARG. - INOX | GRUPPENDECKEL AUSG.4GR ARG. - STAHL |
| 11 | 771970 | PROF.SUP.JUN.ARGENTA INOX LUC. | S.STEEL TOP SECTION JUN ARGENTA | PROFILS SUP. INOX JUN ARGENTA | STAHL-OBERUMRANDUNG JUN ARGENTA |
| 11 | 771971 | PROF.SUP.1GR ARGENTA INOX LUC. | S.STEEL TOP SECTION 1GR ARGENTA | PROFILS SUP. INOX 1GR ARGENTA | STAHL-OBERUMRANDUNG 1GR ARGENTA |
| 11 | 771972 | PROF.SUP.2GR ARGENTA INOX LUC. | S.STEEL TOP SECTION 2GR ARGENTA | PROFILS SUP. INOX 2GR ARGENTA | STAHL-OBERUMRANDUNG 2GR ARGENTA |
| 11 | 771973 | PROF.SUP.3GR ARGENTA INOX LUC. | S.STEEL TOP SECTION 3GR ARGENTA | PROFILS SUP. INOX 3GR ARGENTA | STAHL-OBERUMRANDUNG 3GR ARGENTA |
| 11 | 771974 | PROF.SUP.4GR ARGENTA INOX LUC. | S.STEEL TOP SECTION 4GR ARGENTA | PROFILS SUP. INOX 4GR ARGENTA | STAHL-OBERUMRANDUNG 4GR ARGENTA |
| 12 | 77274 | COPRIMPIANTO JUNIOR | CABLE-COVER JUNIOR | COUVRE-CABLAGE JUNIOR | VERDRAHTUNGDECKEL JUNIOR |
| 12 | 77275 | COPRIMPIANTO 1GR | CABLE-COVER 1GR | COUVRE-CABLAGE 1GR | VERDRAHTUNGDECKEL 1GR |
| 12 | 77276 | COPRIMPIANTO 2GR | CABLE-COVER 2GR | COUVRE-CABLAGE 2GR | VERDRAHTUNGDECKEL 2GR |
| 12 | 77277 | COPRIMPIANTO 3GR | CABLE-COVER 3GR | COUVRE-CABLAGE 3GR | VERDRAHTUNGDECKEL 3GR |
| 12 | 77278 | COPRIMPIANTO 4GR | CABLE-COVER 4GR | COUVRE-CABLAGE 4GR | VERDRAHTUNGDECKEL 4GR |
| 13 | 775701 | PROF.FRONT.1GR OTTONATO ARGENTA | SURROUND X PANEL 1GR ARGENTA BRASS | PROFILS X PANNEAU 1GR ARGENTA LAITON | PROFIL X TAFEL 1GR ARGENTA MESSING |
| 13 | 775711 | PROF.FRONT 2GR OTTONATO ARGENTA | SURROUND X PANEL 2GR ARGENTA BRASS | PROFILS X PANNEAU 2GR ARGENTA LAIT. | PROFIL X TAFEL 2GR ARGENTA MESSING |



| Pos | Cod. | Denominazione - IT - | Denomination - GB - | Denomination - FR - | Denomination - DE - |
|-----|----------|---------------------------------------|---|-----------------------------------|-------------------------------------|
| 13 | 775721 | PROF.FRONT.3GR OTTONATO ARGENTA | SURROUND X PANEL 3GR ARGENTA BRASS | PROFILSPANNEAU 3GR ARGENTA LAITON | PROFIL X TAFEL 3GR ARGENTA MESSING |
| 13 | 775731 | PROF.FRONT.4GR OTTONATO ARGENTA | SURROUND X PANEL 4GR ARGENTA BRASS | PROFILSPANNEAU 4GR ARGENTA LAITON | PROFIL X TAFEL 4GR ARGENTA MESSING |
| 13 | 775741 | PROF.FRONT.JUN.OTTONATO ARGENTA | SURROUND X PANEL JUN ARGENTA BRASS | PROFILSPANNEAU JUN ARGENTA LAITON | PROFIL X TAFEL JUN ARGENTA MESSING |
| 14 | 15265 | MANOPOLA RUBINETTO VAPORE | STEAM TAP KNOB | POIGNEE ROBINET VAPEUR | DAMPFHAHNGRIFF |
| 15 | 15264 | MANOPOLA RUBINETTO H2O | WATER TAP KNOB | POIGNEE ROBINET EAU | WASSERHAHNGRIFF |
| 16 | 60110 | SUPPORTO MANOMETRO ER | GAUGE SUPPORT - DISTRIBUTION | SUPPORT MANOMETRE - DEBIT | MANOMETERHALTER - AUSGABE |
| 17 | 21100 | MANOMETRO D.SCALA "A" INOX | PRESSURE GAUGE 'A' -STAINLESS STEEL | MANOMETRE 'A' - INOX | MANOMETER 'A' - STAHL |
| 18 | 73140 | FIANCO DESTRO MILLECOLORI | RIGHT SIDE PANEL 1000COLOUR | COTE DROIT 1000COULEURS | RECHTE SEITE TAUSENDFARBIG |
| 19 | 77490 | PROFILO FIANCO DESTRO OTTONATO | RIGHT SIDE STRIP BRASS | PROFILS POUR COTE DROIT LAITON | PROFIL FUR RECHTE SEITE MESSING |
| 20 | 23100 | POMELLO FISSAGGIO FIANCHETTO FE/Z | SIDE FIXING SCREW FE/Z | POMMEAU DE FIXAGE FE/Z | BEFESTIGUNGSGRIFF FE/Z |
| 21 | 77840 | COPRICALDAIA JUN INOX/LUC | S.STEEL BOILER COVER JUN ARG. | COUVRE-CHAUDIERE INOX JUN ARG. | STAHLKESSELDECKEL JUN ARG. |
| 21 | 77841 | COPRICALDAIA 1GR INOX LUC. | S.STEEL BOILER COVER 1GR | COUVRE-CHAUDIERE INOX 1GR | KESSELDECKEL 1GR STAHL |
| 21 | 77842 | COPRICALDAIA 2GR INOX LUC. | S.STEEL BOILER COVER 2GR | COUVRE-CHAUDIERE INOX 2GR | KESSELDECKEL 2GR STAHL |
| 21 | 77843 | COPRICALDAIA 3GR INOX LUC. | S.STEEL BOILER COVER 3GR | COUVRE-CHAUDIERE INOX 3GR | KESSELDECKEL 3GR STAHL |
| 21 | 77844 | COPRICALDAIA 4GR INOX LUC. | S.STEEL BOILER COVER 4GR | COUVRE-CHAUDIERE INOX 4GR | STAHLKESSELDECKEL 4GR |
| 22 | 21200 | SEGNALIVELLO OVE TUV INCOLORE | LEVEL INDICATOR WINDOW OVE-TUV | INDICATEUR DE NIVEAU OVE-TUV | NIVEAUANZEIGER OVE-TUV |
| 23 | 76152000 | GRIGLIA INF.WN01 INOX LUC.316X201 | LOWER GRILL 316X201 - SHINY S.STEEL | GRILLE INF.INOX 316X201 | STAHL-UNTERGITTER 316X201 |
| 24 | 76153000 | GRIGLIA INF.WN01 INOX LUC.456X201 | LOWER GRILL 456X201 SHINY S.STEEL | GRILLE INF.INOX 456X201 | STAHL-UNTERGITTER 456X201 |
| 25 | 76154000 | GRIGLIA INF.DX WN01 IN/LUC.338.5X201 | RIGHT LOWER GRILL -SHINY S.STEEL | GRILLE INF.DROIT INOX 338,5X201 | STAHL-UNTER-RECHTEGITTER 338,5X201 |
| 25 | 76155000 | GRIGLIA INF.SX WN01 IN/LUC.338.5X201 | LEFT LOWER GRILL - SHINY S.STEEL | GRILLE INF.GAUCHE INOX 338,5X201 | STAHL-UNTER-LINKEGITTER 338,5X201 |
| 26 | 76156000 | GRIGLIA INF.WN01 INOX LUC. 253X201 | LOWER GRILL 253X201 - SHINY S.STEEL | GRILLE INF.INOX 253X201 | STAHL-UNTERGITTER 253X201 |
| 27 | 76094 | BACINELLA JUN INOX LUCIDO | TRAY JUN S.STEEL | CUVE JUN INOX | STAHLSCHALE JUN |
| 27 | 76095 | BACINELLA 1GR INOX LUCIDO | 1GR GLOSSY STAINLESS STEEL | CUVE 1GR INOX BRILLANT | STAHLSCHALE 1GR |
| 27 | 76096 | BACINELLA 2GR INOX LUCIDO | 2GR GLOSSY STAINLESS STEEL | CUVE 2GR INOX BRILLANT | STAHLSCHALE 2GR |
| 27 | 76097 | BACINELLA 3GR INOX LUCIDO | 3GR GLOSSY STAINLESS STEEL | CUVE 3GR INOX BRILLANT | STAHLSCHALE 3GR |
| 27 | 76098 | BACINELLA 4GR INOX LUCIDO | 4GR GLOSSY STAINLESS STEEL | CUVE 4GR INOX BRILLANT | STAHLSCHALE 4GR |
| 28 | 77460 | PROF.BAS.ANT.1GR AR/WN NERO/BUC | FRONT BASE SURROUND 1GR ARG.BLACK | PROFILS BASE ANT.1GR ARG.NOIR | STIRN-GRUNDPROFIL 1GR ARG.SCHWARZ |
| 28 | 77461 | PROF.BAS.ANT.2GR AR/WN NERO/BUC | FRONT BASE SURROUND 2GR ARG.BLACK | PROFILS BASE ANT.2GR ARG.NOIR | STIRN-GRUNDPROFIL 2GR ARG.SCHWARZ |
| 28 | 77462 | PROF.BAS.ANT.3GR AR/WN NERO/BUC | FRONT BASE SURROUND 3GR ARG.BLACK | PROFILS BASE ANT.3GR ARG.NOIR | STIRN-GRUNDPROFIL 3GR ARG.SCHWARZ |
| 28 | 77463 | PROF.BAS.ANT.4GR AR/WN NERO/BUC | FRONT BASE SURROUND 4GR ARG.BLACK | PROFILS BASE ANT.4GR ARG.NOIR | STIRN-GRUNDPROFIL 4GR ARG.SCHWARZ |
| 28 | 77464 | PROF.BAS.ANT.JUN.AR/WN NERO/BUC | FRONT BASE SURROUND JUN ARG.BLACK | PROFILS BASE ANT. JUN ARG.NOIR | STIRN-GRUNDPROFIL JUN ARG.SCHWARZ |
| 29 | 774561 | PROF.BAS.ANT.1GR AR/WN NERO/BUC GAS | BASE SURROUND 1GR ARG.BLACK X GAS | PROFILS BASE 1GR ARG.NOIR X GAZ | GRUNDPROFIL 1GR ARG.SCHWARZ X GAS |
| 29 | 774562 | PROF.BAS.ANT.2GR AR/WN NERO/BUC GAS | BASE SURROUND 2GR ARG.BLACK X GAS | PROFILS BASE 2GR ARG.NOIR X GAZ | GRUNDPROFIL 2GR ARG.SCHWARZ X GAS |
| 29 | 774563 | PROF.BAS.ANT.3GR AR/WN NERO/BUC GAS | BASE SURROUND 3GR ARG.BLACK X GAS | PROFILS BASE 3GR ARG.NOIR X GAZ | GRUNDPROFIL 3GR ARG.SCHWARZ X GAS |
| 29 | 774564 | PROF.BAS.ANT.4GR AR/WN NERO/BUC GAS | BASE SURROUND 4GR ARG.BLACK X GAS | PROFILS BASE 4GR ARG.NOIR X GAZ | GRUNDPROFIL 4GR ARG.SCHWARZ X GAS |
| 30 | 23420 | VITE TE OTTONE M6X12 NICHELATA | M6X12NICKEL-PLATED BRASS HEX.HEAD SCREW | VIS TH LAITON M6X12 NICKEL | SECHSKANTSCHRAUBE AUS MESSING M6X12 |
| 31 | 15486002 | TAPPO FORO INTERRUPTORE | SWITCH HOLE PLUG | CAPUCHON TROU INTERRUPT. | ABDECKUNG SCHALTERLOCH |
| 32 | 15315 | PIEDINO REGOLAB. CROM. 435 9-15 ETL | CHROMED ADJUSTABLE FOOT 435 9-15 ETL | PIED REGLABLE CHROME 435 9-15 ETL | REGELBARER FUSS CHROM 435 9-15 ETL |
| 32 | 15316 | PIEDINO REGOLABILE NERO CROM. 435-PS3 | ADJUS.FOOT 435-PS3 BLACK-PI3.5 | PIED REGL. 435-PS3 BLACK-PI3.5 | REGELBARFUSS 435-PS3 BLACK-PI3.5 |



| Pos | Cod. | Denominazione - IT - | Denomination - GB - | Denomination - FR - | Denomination - DE - |
|-----|----------|---|------------------------------------|--------------------------------------|-------------------------------------|
| 33 | 77741 | GUIDA DESTRA-SINISTRA BACINELLA X TELAI | R-L BASIN GUIDE FOR FRAMES | GUIDE DX-SX CUVE X CHASSIS | FÜHRUNG RECHTS-LINKS SCHALE FÜR RAH |
| 34 | 72700 | COPRIGRUPPO AL/1 ARGENTA INOX LUC. | S.STEEL GROUP-COVER AL/1 ARGENTA | COUVRE-GROUPE INOX AL/1 ARGENTA | STAHL/GRUPPENDECKEL AL/1 ARGENTA |
| 34 | 72701 | COPRIGRUPPO AL/2 ARGENTA INOX LUC. | S.STEEL GROUP-COVER AL/2 ARGENTA | COUVRE-GROUPE INOX AL/2 ARGENTA | STAHL/GRUPPENDECKEL AL/2 ARGENTA |
| 34 | 72702 | COPRIGRUPPO AL/3 ARGENTA INOX LUC. | S.STEEL GROUP-COVER AL/3 ARGENTA | COUVRE-GROUPE INOX AL/3 ARGENTA | STAHL/GRUPPENDECKEL AL/3 ARGENTA |
| 34 | 72703 | COPRIGRUPPO AL/4 ARGENTA INOX LUC. | S.STEEL GROUP-COVER AL/4 ARGENTA | COUVRE-GROUPE INOX AL/4 ARGENTA | STAHL/GRUPPENDECKEL AL/4 ARGENTA |
| 35 | 70706 | FRONT .AL/1 ARG.NERO/LUC | FRONT PANEL AL/1 BLACK | PANNEAU FRONTAL AL/1 NOIR | STIRNTAFEL AL/1 SCHWARZ |
| 35 | 70710 | FRONT .AL/2 ARG.NERO LUCIDO | FRONT PANEL AL/2 BLACK | PANNEAU FRONTAL AL/2 NOIR | STIRNTAFEL AL/2 SCHWARZ |
| 35 | 70724001 | FRONT .AL/3 ARG.NERO/LUC | FRONT PANEL AL/3 BLACK | PANNEAU FRONTAL AL/3 NOIR | STIRNTAFEL AL/3 SCHWARZ |
| 35 | 70734001 | FRONT .AL/4 ARG.NERO/LUC | FRONT PANEL AL/4 BLACK | PANNEAU FRONTAL AL/4 NOIR | STIRNTAFEL AL/4 SCHWARZ |
| 36 | 60115 | SUPPORTO MANOMETRO AL | GAUGE SUPPORT - AL | SUPPORT MANOMETRE - AL | MANOMETERHALTER - AL |
| 37 | 21101 | MANOMETRO 3 ATM "B" INOX | STEEL PRESSURE GAUGE 3 ATM "B" | MANOMETRE INOX 3 ATM "B" | STAHLMANOMETER 3 ATM "B" |
| 38 | 70746 | FRONT .AEP/1 ARG.NERO LUCIDO | FRONT PANEL AEP/1 BLACK | PANNEAU FRONTAL AEP/1 NOIR | STIRNTAFEL AEP/1 SCHWARZ |
| 38 | 70755A | FRONT .AEP/2 ARG.NERO LUCIDO | FRONT PANEL AEP/2 BLACK | PANNEAU FRONTAL AEP/2 NOIR | STIRNTAFEL AEP/2 SCHWARZ |
| 38 | 70755B | FRONT .AEP/2 ARG.NERO LUCIDO SCTZ | FRONT PANEL AEP/2 X CW BLACK | PANNEAU FRONTAL AEP/2 X CT NOIR | STIRNTAFEL AEP/2 X TW SCHWARZ |
| 38 | 70765002 | FRONT .AEP/3 ARG.NERO LUCIDO | FRONT PANEL AEP/3 BLACK | PANNEAU FRONTAL AEP/3 NOIR | STIRNTAFEL AEP/3 SCHWARZ |
| 38 | 70770002 | FRONT .AEP/3 ARG.NERO LUC SCTV | FRONT PANEL AEP/3 X CW BLACK | PANNEAU FRONTAL AEP/3 X CT NOIR | STIRNTAFEL AEP/3 X TW SCHWARZ |
| 38 | 70775002 | FRONT .AEP/4 ARG.NERO LUCIDO | FRONT PANEL AEP/4 BLACK | PANNEAU FRONTAL AEP/4 NOIR | STIRNTAFEL AEP/4 SCHWARZ |
| 38 | 70780002 | FRONT .AEP/4 ARG.NERO/LUC SCTV | FRONT PANEL AEP/4 X CW BLACK | PANNEAU FRONTAL AEP/4 X CT NOIR | STIRNTAFEL AEP/4 X TW SCHWARZ |
| 38 | 70783A | FRONT .AEP/JUN ARG.NERO/LUC | FRONT PANEL AEP/J BLACK | PANNEAU FRONTAL AEP/J NOIR | STIRNTAFEL AEP/J SCHWARZ |
| 39 | 70795 | FRONT .AEAP/SAE 1GR ARG.NERO LUC | FRONT PANEL AEAP-SAE/1 BLACK | PANNEAU FRONTAL AEAP-SAE/1 NOIR | STIRNTAFEL AEAP-SAE/1 SCHWARZ |
| 39 | 70805 | FRONT .AEAP/SAE 2GR ARG.NERO LUC | FRONT PANEL AEAP-SAE/2 BLACK | PANNEAU FRONTAL AEAP-SAE/2 NOIR | STIRNTAFEL AEAP-SAE/2 SCHWARZ |
| 39 | 70815002 | FRONT .AEAP/SAE 3GR ARG.NERO LUC | FRONT PANEL AEAP-SAE/3 BLACK | PANNEAU FRONTAL AEAP-SAE/3 NOIR | STIRNTAFEL AEAP-SAE/3 SCHWARZ |
| 39 | 70819002 | FRONT .AEAP/SAE 3GR ARG.NERO L. SCTV | FRONT PANEL AEAP-SAE/3 X CW BLACK | PANNEAU FRONTAL AEAP/3 X CW NOIR | STIRNTAFEL AEAP-SAE/3 X TW SCHWARZ |
| 39 | 70825002 | FRONT .AEAP-SAE/4 ARG.NERO LUCIDO | FRONT PANEL AEAP-SAE/4 BLACK | PANNEAU FRONTAL AEAP-SAE/4 NOIR | STIRNTAFEL AEAP-SAE/4 SCHWARZ |
| 39 | 70830002 | FRONT .AEAP-SAE/4 ARG.NERO LUC SCTV | FRONT PANEL AEAP-SAE/4 X CW BLACK | PANNEAU FRONTAL AEAP-SAE/4 X CT NOIR | STIRNTAFEL AEAP-SAE/4 SCHWARZ |
| 39 | 708330 | FRONT .AEAP/SAE JUN ARG.NERO/LUCIDO | FRONT PANEL AEAP-SAE/J BLACK | PANNEAU FRONTAL AEAP-SAE/J NOIR | STIRNTAFEL AEAP-SAE/J SCHWARZ |
| 40 | 21274 | TIMER 220/240V AEA 97 922051 | TIMER 220/240V | TIMER 220/240V | TIMER 220/240V |
| 40 | 21275 | TIMER 110/120V MOD.97 CON AEA CMA | TIMER 110/120V | TIMER 110/120V | TIMER 110/120V |
| 41 | 18077 | CENTRALINA 4GR UL 220V 951438 | GEARCASE MICROP.4GR 220V 950878 | CENTRALE MICROP.4GR 220V 950878 | MIKROP. STEUERUNG 4GR 220V 950878 |
| 42 | 18365 | PULS. TH SAE JUN 220V 951735 *97 | TOUCH PAD "TH" SAE JUN 220V 951605 | CLAVIER "TH" SAE JUN 220V 951605 | DRUCKKNOPFTAFEL "TH" SAE JUN 220V |
| 42 | 18366 | PULS. TH SAE JUN 110V 951736 *97 | TOUCH PAD "TH" SAE JUN 110V 951637 | CLAVIER "TH" SAE JUN 110V 951637 | DRUCKKNOPFTAFEL "TH" SAE JUN 110V |

RAR

INDICE - INDEX - SOMMAIRE - VERZEICHNIS

RAR-01

Rubinetti **ACQUA** - Taps **WATER**
Robinets **EAU** - **WASSERHAHN**

RAR-02

Rubinetti **VAPORE** - Taps **STEAM**
Robinets **VAPEUR** - **DAMPFHAHN**

RAR-03

Acqua miscelata - Mixer for aut. water
Mixage eau autom. - Aut. Mischung teewasser

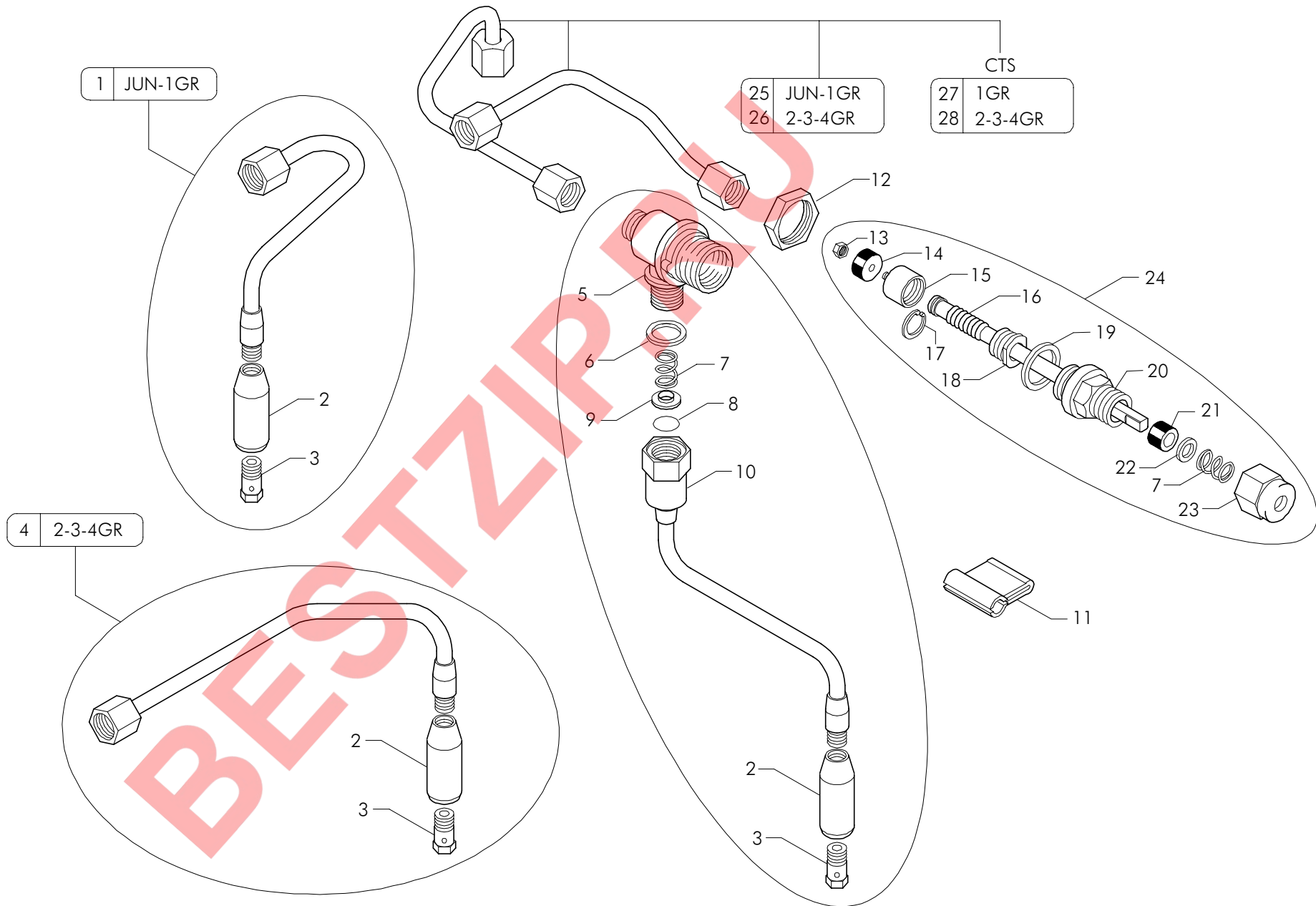
*Rubinetti
acqua e vapore*

*Water and
steam taps*

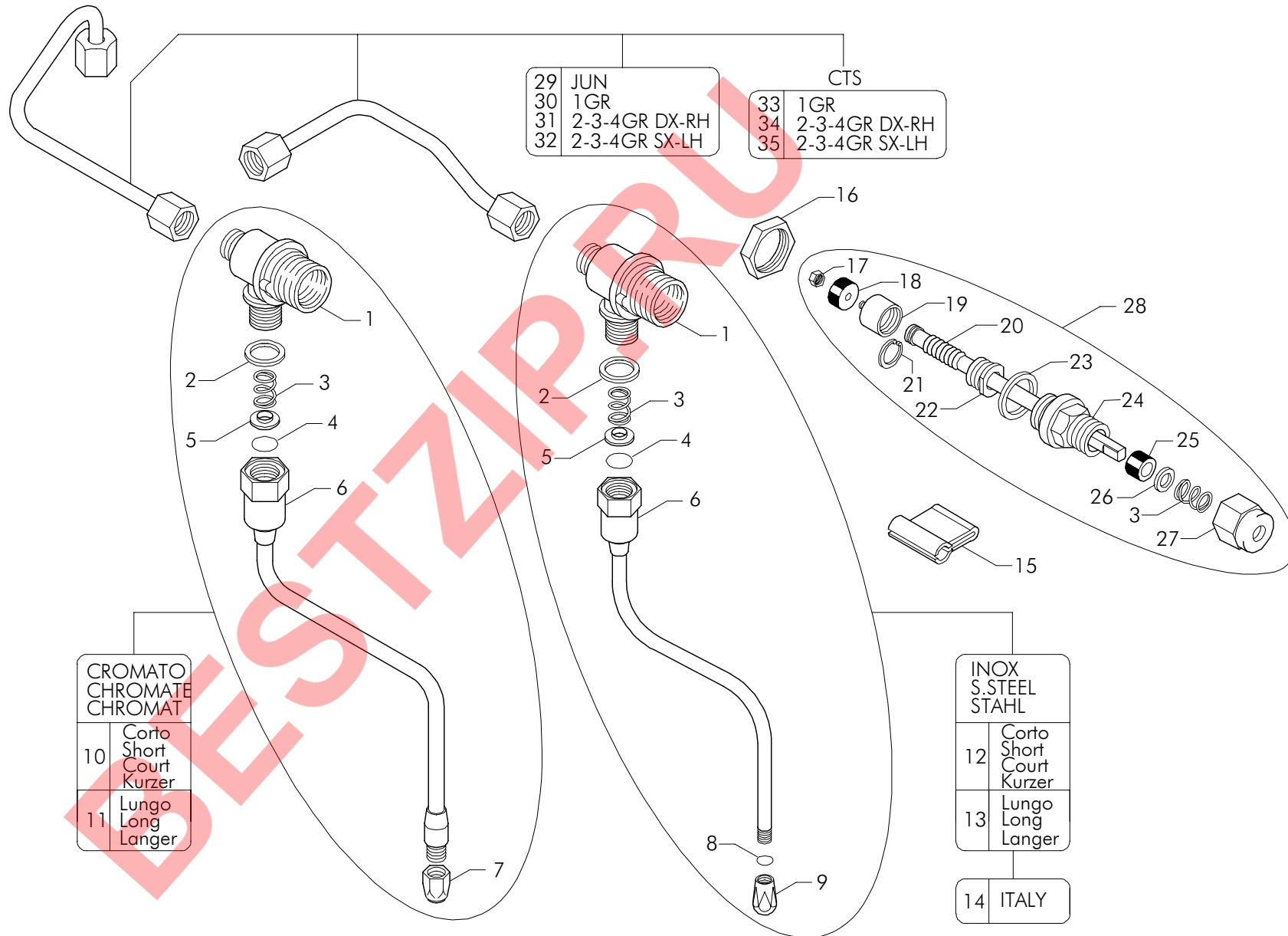
*Robinets eau et
vapeur*

Wasser-dampfhahn

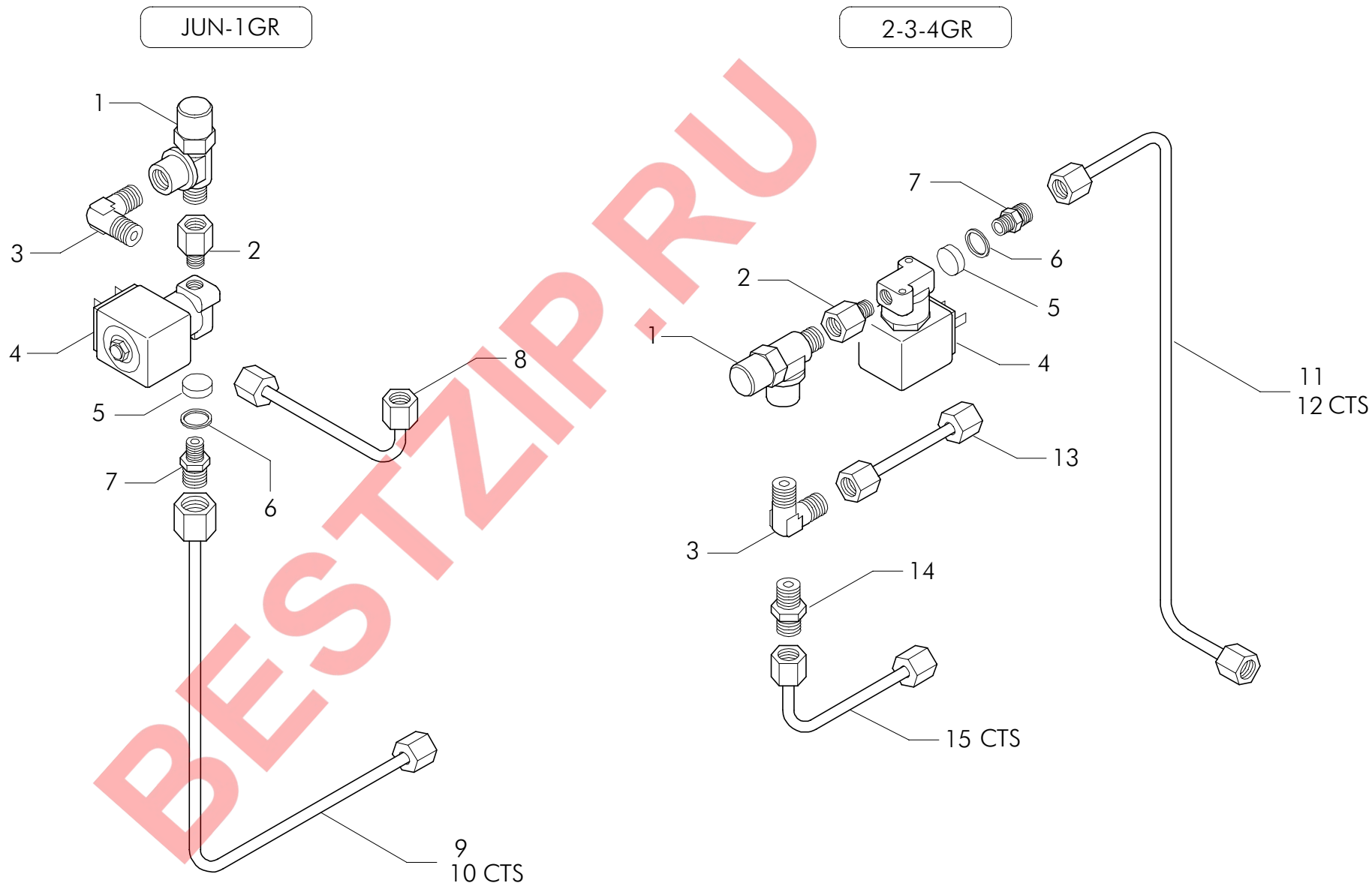
ARGENTA



| Pos | Cod. | Denominazione - IT - | Denomination - GB - | Denomination - FR - | Denomination - DE - |
|-----|----------|---------------------------------------|-------------------------------------|-------------------------------------|---------------------------------------|
| 1 | 56119020 | ASS.TUBO H2O FISSA A 54/R | WATER PIPE A54/R | TUYAU EAU A54/R | ROHR WASSER A54/R |
| 2 | 30250 | SPRUZZATORE ESTERNO H2O OTT CROMATO | EXTERNAL SPRAYER H2O CHROMIUM PLATE | PULVERISATEUR EXTERNE H2O LAITON CH | AUSSENSPRITZDÜSE H2O MESSING, VERCH |
| 3 | 25761 | SPRUZZATORE INTERNO H2O | INTERNAL SPRAY H2O | PULVERISATEUR INT. H2O | H2O - INNENSPRITZDÜSE |
| 4 | 56119003 | ASS.TUBO H2O FISSA A/54C | WATER PIPE A54/C | TUYAU EAU A54/C | ROHR WASSER A54/C |
| 4 | 56119026 | ASS.TUBO H2O FISSA 4GR A/54D | WATER PIPE 4GR A54/D | TUYAU EAU 4GR A54/D | ROHR WASSER 4GR A54/D |
| 5 | 53003 | CORPO RUBINETTO | TAP BODY | CORPS DE ROBINET | HAHNKÖRPER |
| 6 | 12010 | GUARNIZIONE TEFLON X H2O/VAP 21X17X2 | W/S PIPE GASKET KLINGERSIL4400 | JOINT TUYAU TEFLON EAU/VAP KLINGER. | TEFLON-DICHTUNG X H2O/VAP 21X17X2 CNN |
| 7 | 10452 | MOLLA RUBINETTO H2O/VAPORE N4 | WATER/STEAM TAP SPRING N4 | RESSORT DE ROBINET EAU-VAPEUR N4 | WASSER/DAMPF HAHNFEDER N4 |
| 8 | 12300 | GUARNIZIONE OR 113 NBR/70 | O RING GASKET 113 NBR/70 | JOINT OR 113 NBR/70 | OR-DICHTUNG 113 NBR/70 |
| 9 | 25657 | RONDELLA MOLLA VAPORE | STEAM SPRING WASHER | RONDELLE RESSORT VAPEUR | SCHEIBE FÜR DAMPFEDER |
| 10 | 25391 | DADO CANNA VAP/H2O X MOLLA CROMATO | NUT PIPE WATER/STEAM FOR SPRING | ECROU TUYAU VAPEUR/EAU POUR RESSORT | WASSER/DAMPF ROHRMUTTER FÜR FEDER |
| 11 | 15295 | CLIPS ANTISCOTTATURA NERA | BLACK ANTISCORCHING CLIP | CLIP ANTI-BRULURES NOIRE | VERBRENNUNGSSCHUTZKLIPS |
| 12 | 25384 | DADO OTTONE M26X1.5 | BRASS NUT 26X1.5 | ECROU LAITON 26X1.5 | MESSING-MUTTER 26X1.5 |
| 13 | 23050 | DADO OTTONE M3 UNI 5587 | BRASS NUT M3 UNI 5587 | ECROU LAITON M3 UNI 5587 | MESSING-MUTTER M3 UNI 5587 |
| 14 | 12203 | GUARNIZIONE GOMMA 15X4X4 | RUBBER GASKET 15X4X4 | JOINT EN CAOUTCHOUC 15X4X4 | GUMMIDICHTUNG 15X4X4 |
| 15 | 25616 | PISTONCINO RUBINETTO | TAP JUMPER | PISTON ROBINET | HAHNKOLBEN |
| 16 | 25309 | ASTA RUBINETTO CROMATA | CHROMED TAP SHAFT | TIGE ROBINET CHROME | HAHNSTANGE CHROM |
| 17 | 10001 | ANELLO ARRESTO D6 INOX 316 DIN 6799 | STEEL CIRCLIP 316 DIN 6799 | CIRCLIP INOX 316 DIN 6799 | STAHLHALTENRING 316 DIN 6799 |
| 18 | 25461 | GHIERA RUBINETTO | TAP RING NUT | EMBOUT ROBINET | HAHNZWINGE |
| 19 | 12158 | GUARNIZIONE CU RUB.26X20.5X2 | 3/8 22X17X1.5 COPPER SEAL | JOINT CUIVRE 3/8 22X17X1.5 | KUPFERDICHTUNG 3/8 22X17X1.5 |
| 20 | 25678001 | RACCORDO RUBINETTO | TAP FITTING | RACCORD ROBINET | HAHNANSCHLUSSTUCK |
| 21 | 12204 | GUARNIZ. GOMMA RUBINETTO H2O/VAP 12.5 | W/S TAP RUBBER GASKET 12.5X7.5X9 | JOINT CAOUTCHOUC ROB. EAU/VAP 12.5 | HAHNDICHTUNG W/D 12.5X7.5X9 |
| 22 | 25655 | RONDELLA RUBINETTO | TAP WASHER | RONDELLE ROBINET | HAHNSCHEIBE |
| 23 | 25385 | DADO PREMISTOPPA RUBINETTO | TAP STUFFING NUT | ECROU DE PRESSE-ETOUPE ROBINET | STOPFBUCHSE MUTTER - HAHN |
| 24 | 56100 | ASSIEME RUBINETTO H2O/VAPORE | WATER/STEAM TAP UNIT | ENSEMBLE ROBINET EAU/VAPEUR | WASSER/DAMPF ROHRSATZ |
| 25 | 52001011 | TUB.D-8 L.330 G 12 CALDAIA | TUBE D-8 L.330 | TUYAU D-8 L.330 | ROHR D-8 L.330 |
| 26 | 52001306 | TUB.D-8 L.275 2-4GR LD 7 CALDAIA | TUBE D-8 L.275 2-4GR LD 7 | TUYAU D-8 L.275 2-4GR LD 7 | ROHR D-8 L.275 2-4GR LD 7 |
| 27 | 52001438 | TUB.D-8 L.245 1GR CTS AR 61 CALDAIA | TUBE D-8 L.245 1GR CTS AR61 | TUYAU D-8 L.245 1GR CTS AR61 | ROHR D-8 L.245 1GR CTS AR61 |
| 28 | 52001435 | TUB.D-8 L.310 2-3GR CTS AR 58 | TUBE D-8 L.310 2-3GR CTS AR58 | TUYAU D-8 L.310 2-3GR CTS AR58 | ROHR D-8 L.310 2-3GR CTS AR58 |



| Pos | Cod. | Denominazione - IT - | Denomination - GB - | Denomination - FR - | Denomination - DE - |
|-----|----------|---------------------------------------|----------------------------------|-------------------------------------|---------------------------------------|
| 1 | 53003 | CORPO RUBINETTO | TAP BODY | CORPS DE ROBINET | HAHNKÖRPER |
| 2 | 12010 | GUARNIZIONE TEFLON X H2O/VAP 21X17X2 | W/S PIPE GASKET KLINGERSIL4400 | JOINT TUYAU TEFLON EAU/VAP KLINGER. | TEFLON-DICHTUNG X H2O/VAP 21X17X2 CNN |
| 3 | 10452 | MOLLA RUBINETTO H2O/VAPORE N4 | WATER/STEAM TAP SPRING N4 | RESSORT DE ROBINET EAU-VAPEUR N4 | WASSER/DAMPF HAHNFEDER N4 |
| 4 | 12300 | GUARNIZIONE OR 113 NBR/70 | O RING GASKET 113 NBR/70 | JOINT OR 113 NBR/70 | OR-DICHTUNG 113 NBR/70 |
| 5 | 25657 | RONDELLA MOLLA VAPORE | STEAM SPRING WASHER | RONDELLE RESSORT VAPEUR | SCHEIBE FÜR DAMPFEDER |
| 6 | 25391 | DADO CANNA VAP/H2O X MOLLA CROMATO | NUT PIPE WATER/STEAM FOR SPRING | ECROU TUYAU VAPEUR/EAU POUR RESSORT | WASSER/DAMPF ROHRMUTTER FÜR FEDER |
| 7 | 25762 | SPRUZZATORE VAPORE CROMATO | STEAM NOZZLE - CHROMED | ATOMISEUR VAPEUR - CHROME' | DAMPFDUSE - CHROM |
| 8 | 12300013 | GUARNIZ. OR SILICONE ROSSO 6X1 70SH | O RING 6X1 70SH | JOINT OR 6X1 70SH | O RING 6X1 70SH |
| 9 | 25762A | SPRUZZATORE VAPORE INOX AISI 303 | STEEL STEAM SPRAYER AISI 303 | VAPORISATEUR INOX AISI 303 | STAHLDAMPFER AISI 303 |
| 10 | 56119107 | TUBO ASS.VAP.CR.CORTO A56/A | CHROMED STEAM PIPE A56/A | TUYAU VAPEUR CHROME A56/A | CHROM DAMPFROHRSATZ A56/A |
| 11 | 56119108 | TUBO ASS.VAP.CR.LUNGO CMA A56/C | CHROMED LONG STEAM PIPE A56/C | TUYAU VAPEUR CHROME LONG A56/C | CHROM/LANG DAMPFROHRSATZ A56/C |
| 12 | 56115100 | TUBO VAP.INOX L.290 +CORPO | STEEL STEAM PIPE L.290 | TUYAU VAPEUR INOX L.290 | STAHL DAMPFROHRSATZ L.290 |
| 13 | 56114100 | TUBO VAP.INOX L.325 +CORPO | STEEL STEAM PIPE L.325 | TUYAU VAPEUR INOX L.325 | STAHL DAMPFROHRSATZ L.325 |
| 14 | 56106100 | TUBO VAP.INOX ITALIA | STEEL STEAM PIPE ITALY | TUYAU VAPEUR INOX ITALY | STAHL DAMPFROHRSATZ ITALY |
| 15 | 15295 | CLIPS ANTISCOTTATURA NERA | BLACK ANTISCORCHING CLIP | CLIP ANTI-BRULURES NOIRE | VERBRENNUNGSSCHUTZKLIPS |
| 16 | 25384 | DADO OTTONE M26X1.5 | BRASS NUT 26X1.5 | ECROU LAITON 26X1.5 | MESSING-MUTTER 26X1.5 |
| 17 | 23050 | DADO OTTONE M3 UNI 5587 | BRASS NUT M3 UNI 5587 | ECROU LAITON M3 UNI 5587 | MESSING-MUTTER M3 UNI 5587 |
| 18 | 12203 | GUARNIZIONE GOMMA 15X4X4 | RUBBER GASKET 15X4X4 | JOINT EN CAOUTCHOUC 15X4X4 | GUMMIDICHTUNG 15X4X4 |
| 19 | 25616 | PISTONCINO RUBINETTO | TAP JUMPER | PISTON ROBINET | HAHNKOLBEN |
| 20 | 25309 | ASTA RUBINETTO CROMATA | CHROMED TAP SHAFT | TIGE ROBINET CHROME | HAHNSTANGE CHROM |
| 21 | 10001 | ANELLO ARRESTO D6 INOX 316 DIN 6799 | STEEL CIRCLIP 316 DIN 6799 | CIRCLIP INOX 316 DIN 6799 | STAHLHALTENRING 316 DIN 6799 |
| 22 | 25461 | GHIERA RUBINETTO | TAP RING NUT | EMBOUT ROBINET | HAHNZWINGE |
| 23 | 12158 | GUARNIZIONE CU RUB.26X20.5X2 | 3/8 22X17X1.5 COPPER SEAL | JOINT CUIVRE 3/8 22X17X1.5 | KUPFERDICHTUNG 3/8 22X17X1.5 |
| 24 | 25678001 | RACCORDO RUBINETTO | TAP FITTING | RACCORD ROBINET | HAHNANSCHLUSSTUCK |
| 25 | 12204 | GUARNIZ. GOMMA RUBINETTO H2O/VAP 12.5 | W/S TAP RUBBER GASKET 12.5X7.5X9 | JOINT CAOUTCHOUC ROB. EAU/VAP 12.5. | HAHNDICHTUNG W/D 12.5X7.5X9 |
| 26 | 25655 | RONDELLA RUBINETTO | TAP WASHER | RONDELLE ROBINET | HAHNSCHEIBE |
| 27 | 25385 | DADO PREMISTOPPA RUBINETTO | TAP STUFFING NUT | ECROU DE PRESSE-ETOUPE ROBINET | STOPFBUCHSE MUTTER - HAHN |
| 28 | 56100 | ASSIEME RUBINETTO H2O/VAPORE | WATER/STEAM TAP UNIT | ENSEMBLE ROBINET EAU/VAPEUR | WASSER/DAMPF ROHRSATZ |
| 29 | 52001001 | TUB.D-8 L.320 G 2 CALDAIA | TUBE D-8 L.320 | TUYAU D-8 L.320 | ROHR D-8 L.320 |
| 30 | 52001400 | TUB.D-8 L.380 1GR AR 1 CALDAIA | TUBE D-8 L.380 1GR AR 1 | TUYAU D-8 L.380 1GR AR 1 | ROHR D-8 L.380 1GR AR 1 |
| 31 | 52001401 | TUB.D-8 L.290 2-4GR AR 2 CALDAIA | TUBE D-8 L.290 2-4GR AR 2 | TUYAU D-8 L.290 2-4GR AR 2 | ROHR D-8 L.290 2-4GR AR 2 |
| 32 | 52001304 | TUB.D-8 L.310 2-4GR LD 5 CALDIA | TUBE D-8 L.310 2-4GR LD 5 | TUYAU D-8 L.310 2-4GR LD 5 | ROHR D-8 L.310 2-4GR LD 5 |
| 33 | 52001439 | TUB.D-8 L.225 1GR CTS AR 62 | TUBE D-8 L.225 1GR CTS AR62 | TUYAU D-8 L.225 1GR CTS AR62 | RIHR D-8 L.225 1GR CTS AR62 |
| 34 | 52001434 | TUB.D-8 L.280 2-3GR CTS AR 57 | TUBE D-8 L.280 2-3GR CTS AR57 | TUYAU D-8 L.280 2-3GR CTS AR57 | ROHR D-8 L.280 2-3GR CTS AR57 |
| 35 | 52001436 | TUB.D-8 L.220 2-3GR CTS AR 59 | TUBE D-8 L.220 2-3GR CTS AR59 | TUYAU D-8 L.220 2-3GR CTS AR59 | ROHR D-8 L.220 2-3GR CTS AR59 |



| Pos | Cod. | Denominazione - IT - | Denomination - GB - | Denomination - FR - | Denomination - DE - |
|-----|----------|---------------------------------------|------------------------------------|-----------------------------------|----------------------------------|
| 1 | 25715001 | RACCORDO MISCELATORE GRUPPI ITALIA | ITALIA MIXER FITTING | RACC. MELANGEUR GROUPES ITALIA | ANSCHLUSS MISCHER EINHEITEN |
| 2 | 25743 | RIDUZIONE 1/4FX1/8M V.A.R. | REDUCTION 1/4FX1/8M V.A.R. | REDUCTION 1/4FX1/8M V.A.R. | REDUKTION 1/4FX1/8M V.A.R. |
| 3 | 23203 | RACCORDO OTT.GOM.D6.2 1/4X1/4 CON | ELBOW BRASS CONNECTOR D6.2 1/4X1/4 | RACCORD COUDE LAITON D6.2 1/4X1/4 | MESSING-ANSCHLUSS D6.2 1/4X1/4 |
| 4 | 18162 | ELETTRIVAL. 230V AEA VE140.2IR VDE/UL | SOL.VALVE WATER REFILL 230V PARKER | ELECTROVANNE REA 230V PARKER | ELEKTROVENTIL AWZ 230V PARKER |
| 4 | 18195 | ELETTRIVAL. 120V VE140.2IR VDE/UL PAR | SOLENOID VALVE SCEM 2/2 110V 60HZ | ELECTROVANNE SCEM 2/2 110V 60HZ | MAGNETVENTIL SCEM 2/2 110V 60HZ |
| 5 | 10251001 | FILTRO IN ACCIAIO D-8 SP.0,3 | STEEL FILTER D-8 - 0.3 THICK | FILTRE EN ACIER D-8 EP.0,3 | STAHLFILTER D-8 SP.0,3 |
| 6 | 12155 | GUARNIZIONE CU 8.5X5X1 | COPPER GASKET 8.5X5X1 | JOINT CU 8.5X5X1 | CU DICHTUNG 8.5X5X1 |
| 7 | 25707 | RACCORDO 1/8X1/4 | CONNECTOR 1/8X1/4 | RACCORD 1/8X1/4 | ANSCHLUSS 1/8X1/4 |
| 8 | 52000334 | TBS.D-6 L.130 DV 55/B EV MIX | D-6 130 L PIPE DV 55/B | TUYAU D-6 L.130 DV 55/ | ROHR D. 6 L.130 DV 55/ |
| 9 | 52001453 | TUB.D-6 L.520 1GR THE MISC. | TUBE D-6 L.520 1GR AR54/A | TUYAU D-6 L.520 1GR AR54/A | ROHR D-6 L.520 1GR AR54/A |
| 10 | 52000331 | TUB.D-6 L.415 DV 42/B DV 42/A | D-6 415 L PIPE DV 42/B | TUYAU D-6 L.415 DV 42/ | ROHR D. 6 L.415 DV 42/ |
| 11 | 52000227 | TUB.D-6 L.375 2GR DV 28 TUBETTO | D-6 375 L PIPE DV 28 | TUYAU D-6 L.375 DV 2 | ROHR D. 6 L.375 DV 2 |
| 11 | 52000328 | TUB.D-6 L.545 3GR DV 37/A | D-6 545 L PIPE DV 37/A | TUYAU D-6 L.545 DV 37/ | ROHR D. 6 L.545 DV 37/ |
| 11 | 52000329 | TUB.D-6 L.740 4GR DV 37/B | D-6 740 L 4GR PIPE DV 37/B | TUYAU D-6 L.740 4GR DV 37/ | ROHR D. 6 L.740 4GR DV 37/ |
| 12 | 52001447 | TUBO D-6 L.435 | TUBE D-6 L.435 | TUYAU D-6 L.435 | ROHR D-6 L.435 |
| 12 | 52001461 | TUBO D-6 L.655 | TUBE D-6 L.655 | TUYAU D-6 L.655 | ROHR D-6 L.655 |
| 12 | 52001473 | TBS.D-6 L.740 4GR THE MISC. | TUBE D-6 L.740 4GR AR94 | TUYAU D-6 L.740 4GR AR94 | ROHR D-6 L.740 4GR AR94 |
| 13 | 52001428 | TBS.D-6 L.50 2GR THE MISC AR/53 | D-6 50 L PIPE 2GR TEA MIX AR/53 | TUYAU D-6 L.50 2GR THE MISC AR/53 | ROHR D-6 L.50 2GR THE MISC AR/53 |
| 14 | 25686 | RACCORDO 1/4X1/4 FLANGIA | CONNECTOR 1/4 X 1/4 FLANGE | RACCORD 1/4 X 1/4 BRIDE | ANSCHLUSS 1/4X1/4 FLANSCH |
| 15 | 52000204 | TBS.D-6 L.60 DV 5 TUB. DV39 | TUBE D-6 L.60 DV5 | TUYAU D-6 L.60 DV5 | ROHR D-6 L.60 DV5 |

IAE

INDICE - INDEX - SOMMAIRE - VERZEICHNIS

IAE-01

Automatico entrata acqua - Automatic water refill
Remplissage eau automatique - Automatische wasserzufuhr

JUN-1GR

IAE-02

Automatico entrata acqua - Automatic water refill
Remplissage eau automatique - Automatische wasserzufuhr

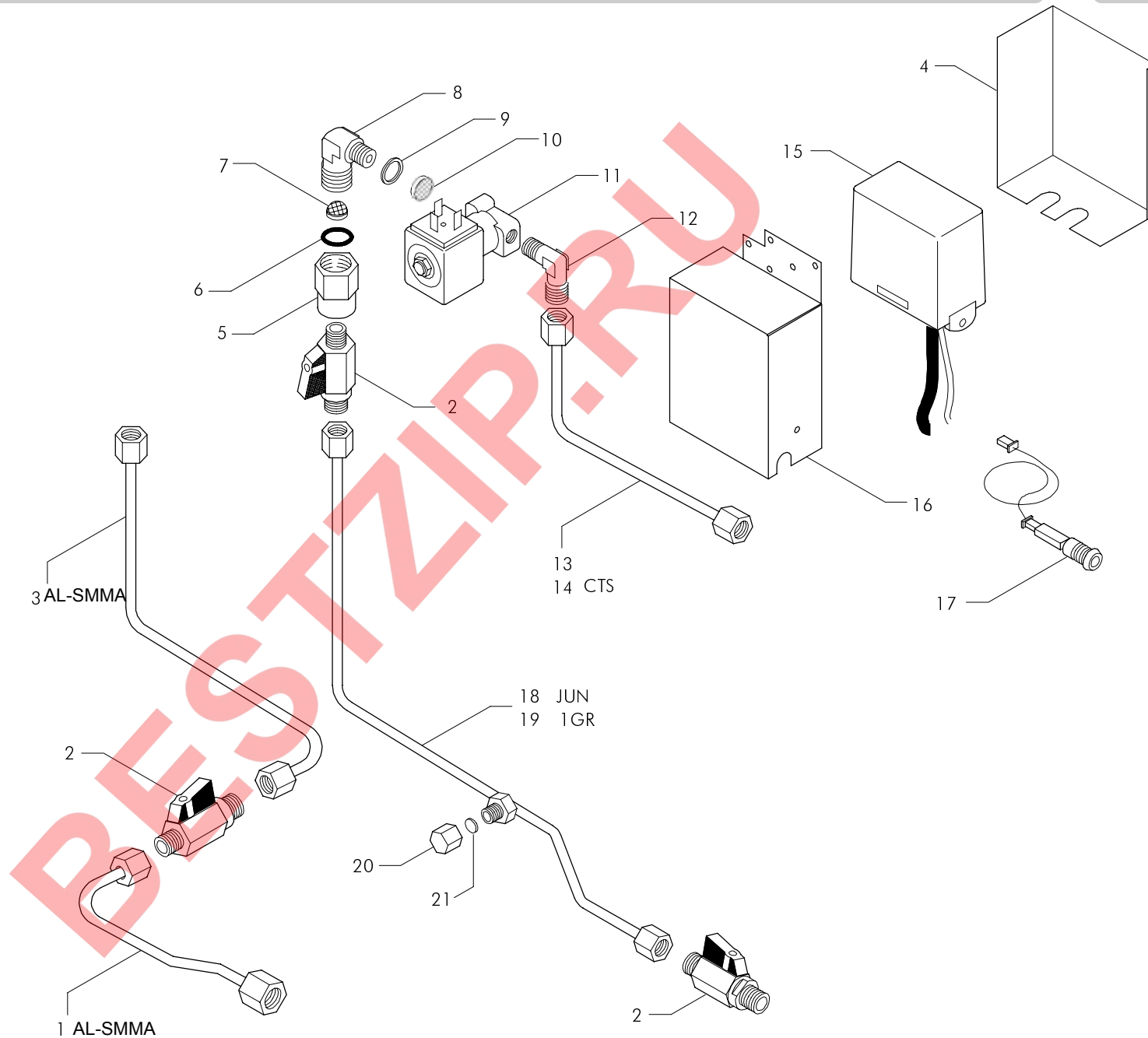
2-3-4GR

*Automatico
entrata acqua*

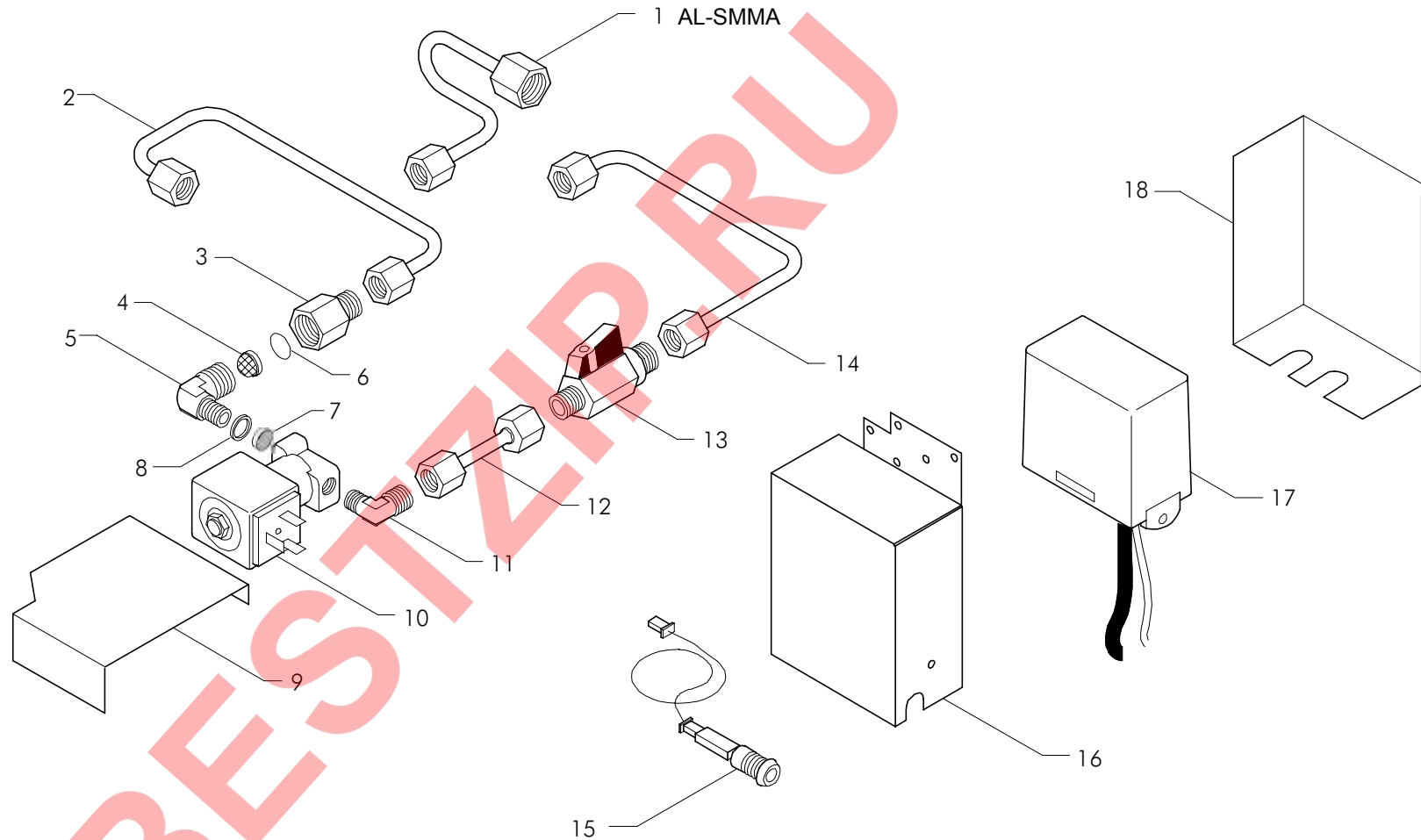
*Automatic
water refill*

*Remplissage
eau
automatique*

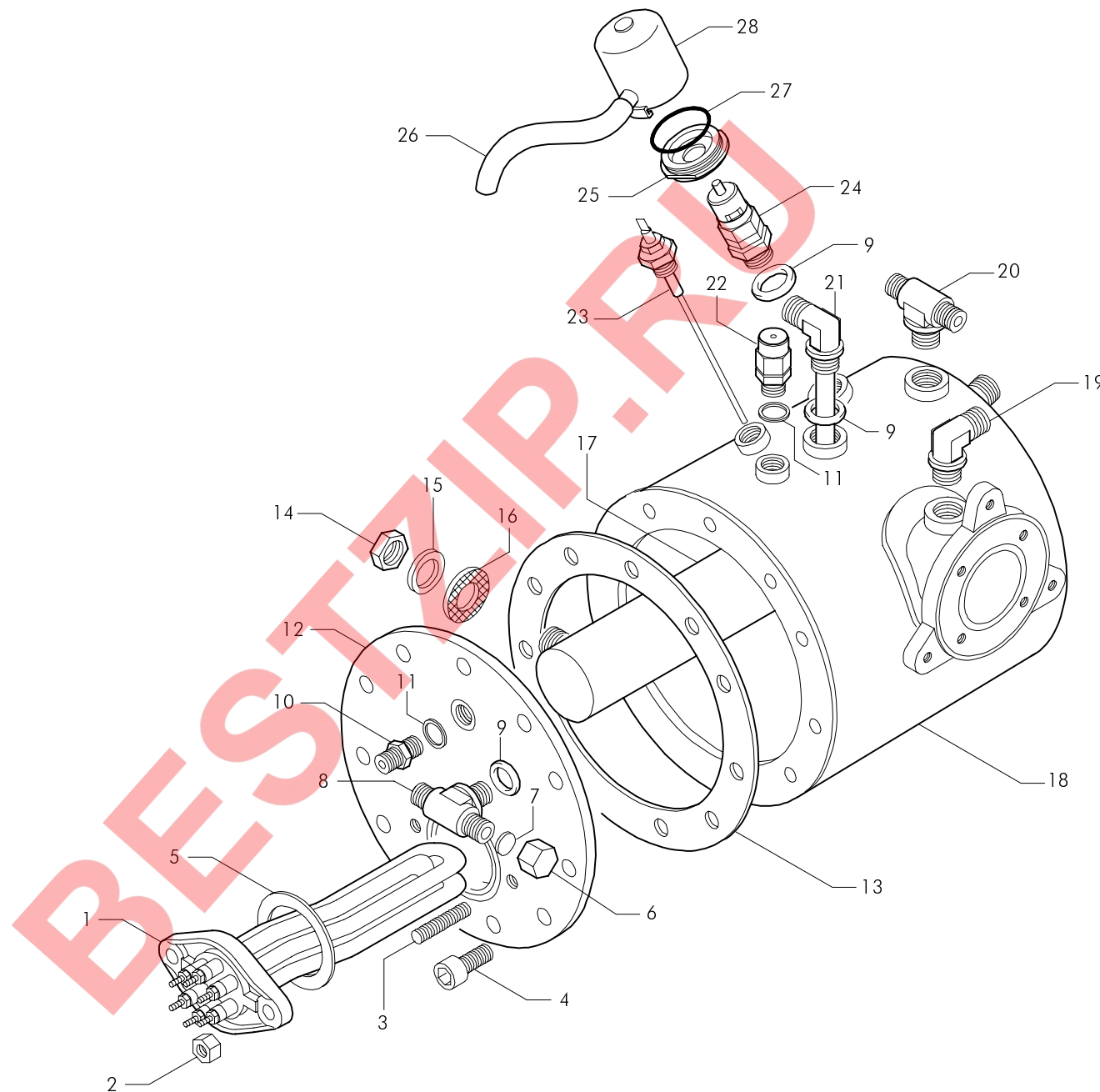
*Automatische
wasserzufuhr*



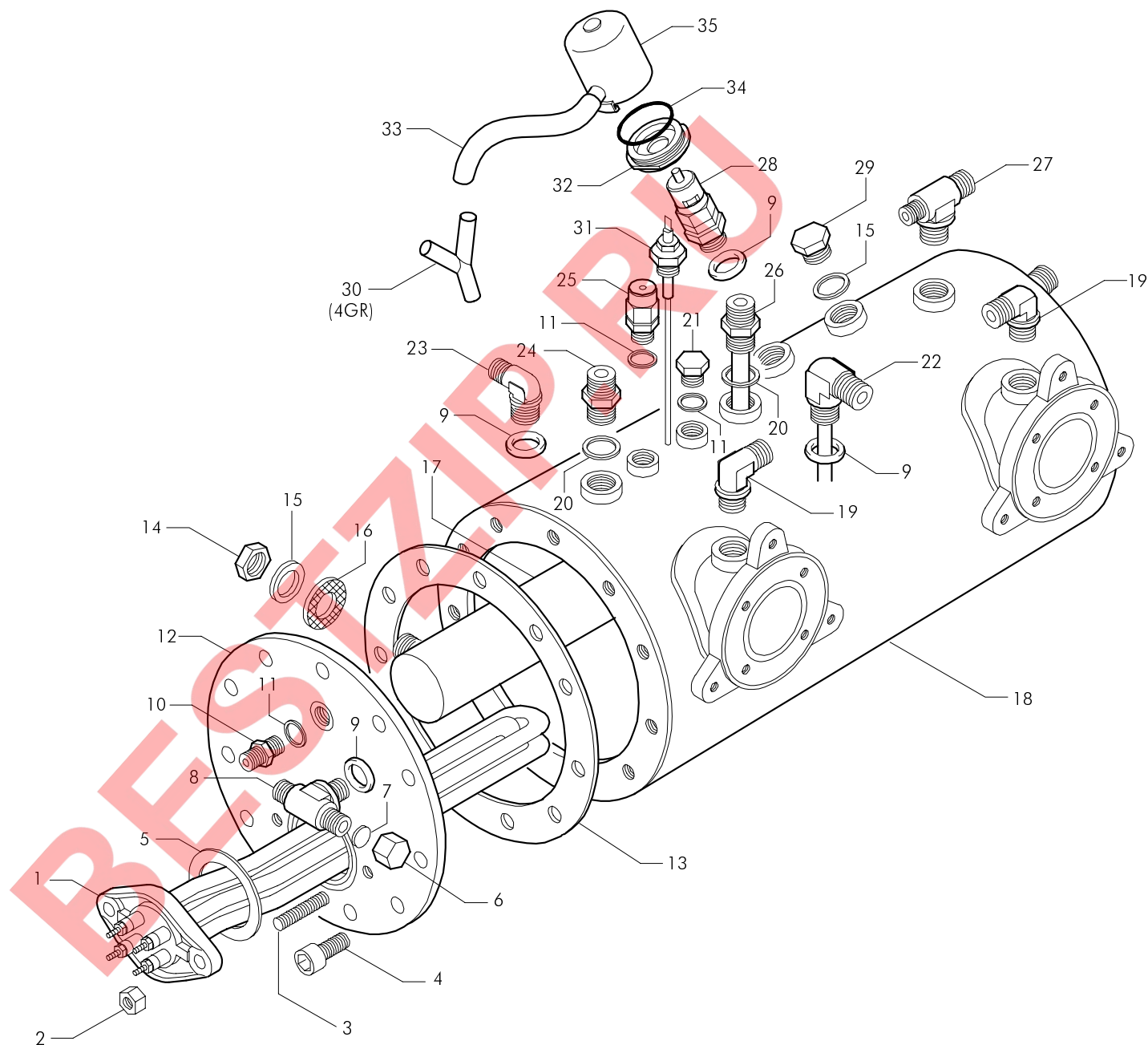
| Pos | Cod. | Denominazione - IT - | Denomination - GB - | Denomination - FR - | Denomination - DE - |
|-----|----------|---------------------------------------|-------------------------------------|-------------------------------------|-------------------------------------|
| 1 | 52001346 | TBS.D-8 L.155 1-4GR AL LD 37 | TUBE D-8 L.155 | TUYAU D-8 L.155 | ROHR D-8 L.155 |
| 2 | 20354 | VALVOLA CHIUSURA AEA | PRESSURE RELEASE TAP BULK UNIT | CLAPET FERMETURE AUT.ARRIVEE EAU | ABSPERRVENTIL X AUT.WASSERZUFUHR |
| 3 | 52000111 | TBS.D-8 L.480 1GR A 47 VALVOLA | TUBE D-8 L.480 1GR A/47 | TUYAU D-8 L. 480 1GR A 47 | ROHR D-8 L. 480 1GR A47 |
| 4 | 77691F | PROTEZIONE CENTRALINA RL30 | RL30 GEARCASE PROTECTION FOR SUPP. | PROTECTION RL30 | SCHUTZGITTER RL30 |
| 5 | 25741 | RIDUZIONE AEA MOTORE INCORPORATO | AUTOMATIC WATER REFILL REDUCTION | REDUCTION REMPLISSAGE EAU AUTOMAT. | REDUKTION AUT.WASSERFULLUNG |
| 6 | 12312 | GUARNIZIONE OR FILTRO AEA 10X2 | O RING FOR WATER REFILL FILTER 10X2 | JOINT OR FILTRE AUT.REM.EAU 10X2 | OR DICHTUNG FUR WASSERFULLUNGFILTER |
| 7 | 10254 | FILTRO ACCIAIO 160-200 MESH | STEEL FILTER 160-200 MESH | FILTRE EN ACIER 160-200 MESH | STAHLFILTER 160-200 MESH |
| 8 | 23206 | RACCORDO GOM.D10 3/8X1/8CON F3 | ELBOW BRASS CONNECTOR D10 3/8X1/8 | RACCORD COUDE LAITON D10 3/8X1/8 | MESSING FITTING D10 3/8X1/8 |
| 9 | 12155 | GUARNIZIONE CU 8.5X5X1 | COPPER GASKET 8.5X5X1 | JOINT CU 8.5X5X1 | CU DICHTUNG 8.5X5X1 |
| 10 | 10251001 | FILTRO IN ACCIAIO D-8 SP.0,3 | STEEL FILTER D-8 - 0.3 THICK | FILTRE EN ACIER D-8 EP.0,3 | STAHLFILTER D-8 SP.0,3 |
| 11 | 18162 | ELETTRIVAL. 230V AEA VE140.2IR VDE/UL | SOL.VALVE WATER REFILL 230V PARKER | ELECTROVANNE REA 230V PARKER | ELEKTROVENTIL AWZ 230V PARKER |
| 11 | 18195 | ELETTRIVAL. 120V VE140.2IR VDE/UL PAR | SOLENOID VALVE SCEM 2/2 110V 60HZ | ELECTROVANNE SCEM 2/2 110V 60HZ | MAGNETVENTIL SCEM 2/2 110V 60HZ |
| 12 | 23201 | RACCORDO OTT.GOM.D6.2 1/4X1/8-AEA | ELBOW BRASS CONNECTOR D6.2 1/4X1/8 | RACCORD COUDE LAITON D6.2 1/4X1/8 | MESSING-ANSCHLUSS D6.2 1/4X1/8 |
| 13 | 52000115 | TUB.D-6 L.160 1-4GR NUOVE A 48/A . | TUBE D-6 L.160 1-4GR NEW A 48/A | TUYAU D-6 L.160 1-4GR NOUVEAUA 48/A | ROHR D-6 L. 160 1-4 GR A 48/A |
| 14 | 52000242 | TUB.D-6 L.190 DV 43 EV AEA | D-6 190 L PIPE DV 43 | TUYAU D-6 L.190 DV 4 | ROHR D. 6 L.190 DV 4 |
| 15 | 18080001 | REGOLAT. LIVELLO RL30/T.O.220/240V | LEVEL CONTROL RL30/T.O.220/240V | CONTROLE NIVEAU RL30/T.O.220/240V | WASSERNIVEAUREGLER RL30/TO 220/240V |
| 15 | 18081001 | REGOLAT. LIVELLO RL30/TIMEOUT 120V | LEVEL CONTROL RL30/TIMEOUT 120V | CONTROLE NIVEAU RL30/TIMEOUT 120V | WASSERNIVEAUREGLER RL30/TO 120V |
| 16 | 78200 | SUPPORTO AEA RL30 X TUTTI I TELAI | AWR BEARING RL30XALL MODUL.FRAMES | SUPPORT REA RL30 POUR TOUS CHASSIS | AWF HALTER RL30XFUR ALLE MOD.RAHMEN |
| 17 | 22625 | CAVO 1/2GR RL30/TIMEOUT CON LED | 1/2 CABLE TIMEOUT UNIT WITH LED | CABLE 1/2 GR. RL30/TIMEOUT LED | KABEL 1/2GR. RL30/TIMEOUT MIT LED |
| 18 | 52000344 | TBS.D-6 L.550 1GR DV 42/C | TUBE D-6 L.530 | TUYAU D-6 L.530 | ROHR D-6 L.530 |
| 19 | 52003303 | TUB.D-6 L.600 CW 4 | TUBE D-6 L.600 CW 4 | TUYAU D-6 L.600 CW 4 | ROHR D-6 L.600 CW 4 |
| 20 | 25782 | TAPPO FEMMINA 1/4 GAS | 1/4 GAS FEMALE TAP | BOUCHON FEMELLE 1/4 GAZ | INNENANSCHLUSSSTÖPSEL 1/4 GAS |
| 21 | 12007 | GUARNIZIONE KLINGERSIL4400 | KLINGERSIL4400 COPPER SEAL | JOINT KLINGERSIL4400 POUR BOUCHON | DICHTUNG KLINGER SIL4400 X DECKEL |



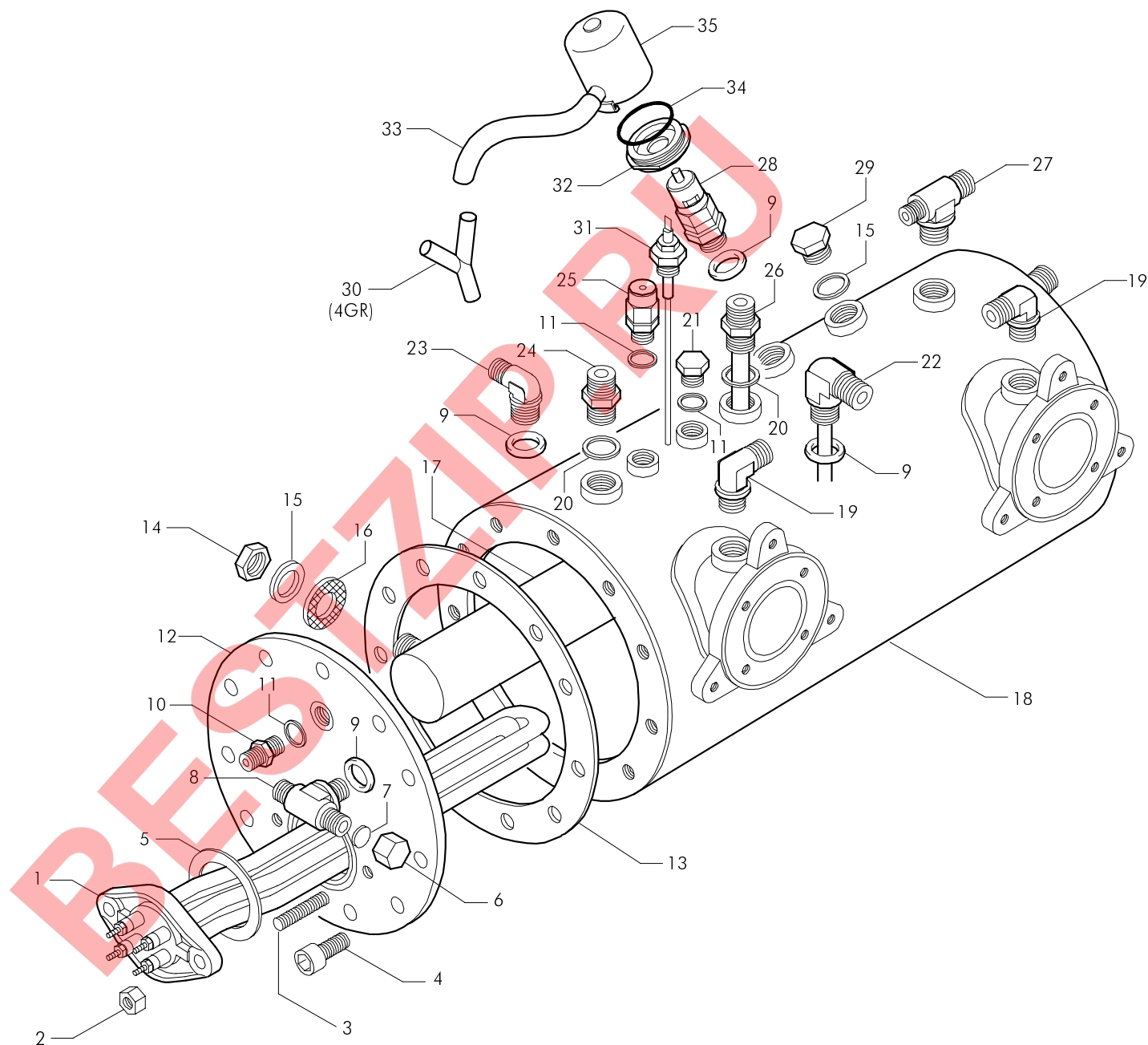
| Pos | Cod. | Denominazione - IT - | Denomination - GB - | Denomination - FR - | Denomination - DE - |
|-----|----------|---------------------------------------|-------------------------------------|------------------------------------|-------------------------------------|
| 1 | 52001475 | TBS.D-6 L.150 AL/2>4GR AEA AR 96 | TUBE D-6 L.150 | TUYAU D-6 L.150 | ROHR D-6 L.150 |
| 2 | 52000321 | TBS.D-6 L.255 DV 5/A | D-6 255 L PIPE DV 5/A | TUYAU D-6 L.255 DV 5/ | ROHR D. 6 L.255 DV 5/ |
| 3 | 25705 | RACCORDO FILTRO AEA | AUT.WATER REFILL FILTER CONNECTOR | RACCORD FILTRE REM.EAU.AUT. | FILTERFITTING AUT.WASSERFULLUNG |
| 4 | 10254 | FILTRO ACCIAIO 160-200 MESH | STEEL FILTER 160-200 MESH | FILTRE EN ACIER 160-200 MESH | STAHLFILTER 160-200 MESH |
| 5 | 23206 | RACCORDO GOM.D10 3/8X1/8CON F3 | ELBOW BRASS CONNECTOR D10 3/8X1/8 | RACCORD COUDE LAITON D10 3/8X1/8 | MESSING FITTING D10 3/8X1/8 |
| 6 | 12312 | GUARNIZIONE OR FILTRO AEA 10X2 | O RING FOR WATER REFILL FILTER 10X2 | JOINT OR FILTRE AUT.REM.EAU 10X2 | OR DICHTUNG FUR WASSERFULLUNGFILTER |
| 7 | 10251001 | FILTRO IN ACCIAIO D-8 SP.0,3 | STEEL FILTER D-8 - 0.3 THICK | FILTRE EN ACIER D-8 EP.0,3 | STAHLFILTER D-8 SP.0,3 |
| 8 | 12155 | GUARNIZIONE CU 8.5X5X1 | COPPER GASKET 8.5X5X1 | JOINT CU 8.5X5X1 | CU DICHTUNG 8.5X5X1 |
| 9 | 77604 | COPRIELETTOVALVOLA AEA WO/WN | AEA SOLENOID VALVE COVER | COUVRE-ELECTROVANNE AEA | ABDECKUNG ELEKTROVENTIL AEA |
| 10 | 18162 | ELETTRIVAL. 230V AEA VE140.2IR VDE/UL | SOL.VALVE WATER REFILL 230V PARKER | ELECTROVANNE REA 230V PARKER | ELEKTROVENTIL AWZ 230V PARKER |
| 10 | 18195 | ELETTRIVAL. 120V VE140.2IR VDE/UL PAR | SOLENOID VALVE SCEN 2/2 110V 60HZ | ELECTROVANNE SCEN 2/2 110V 60HZ | MAGNETVENTIL SCEN 2/2 110V 60HZ |
| 11 | 23201 | RACCORDO OTT.GOM.D6.2 1/4X1/8-AEA | ELBOW BRASS CONNECTOR D6.2 1/4X1/8 | RACCORD COUDE LAITON D6.2 1/4X1/8 | MESSING-ANSCHLUSS D6.2 1/4X1/8 |
| 12 | 52000202 | TBS.D-6 L.65 DV 3 | D-6 65 L PIPE DV 3 | TUYAU D-6 L.65 DV | ROHR D. 6 L.65 DV |
| 13 | 20354 | VALVOLA CHIUSURA AEA | PRESSURE RELEASE TAP BULK UNIT | CLAPET FERMETURE AUT.ARRIVEE EAU | ABSPERRVENTIL X AUT.WASSERZUFUHR |
| 14 | 52000205 | TUB.D-6 L.230 DV 6 | D-6 230 L PIPE DV 6 | TUYAU D-6 L.230 DV | ROHR D. 6 L.230 DV |
| 15 | 22625 | CAVO 1/2GR RL30/TIMEOUT CON LED | 1/2 CABLE TIMEOUT UNIT WITH LED | CABLE 1/2 GR. RL30/TIMEOUT LED | KABEL 1/2GR. RL30/TIMEOUT MIT LED |
| 16 | 78200 | SUPPORTO AEA RL30 X TUTTI I TELAI | AWR BEARING RL30XALL MODUL.FRAMES | SUPPORT REA RL30 POUR TOUS CHASSIS | AWF HALTER RL30XFUR ALLE MOD.RAHMEN |
| 17 | 18080001 | REGOLAT. LIVELLO RL30/T.O.220/240V | LEVEL CONTROL RL30/T.O.220/240V | CONTROLE NIVEAU RL30/T.O.220/240V | WASSERNIVEAUREGLER RL30/TO 220/240V |
| 17 | 18081001 | REGOLAT. LIVELLO RL30/TIMEOUT 120V | LEVEL CONTROL RL30/TIMEOUT 120V | CONTROLE NIVEAU RL30/TIMEOUT 120V | WASSERNIVEAUREGLER RL30/TO 120V |
| 18 | 77691F | PROTEZIONE CENTRALINA RL30 | RL30 GEARCASE PROTECTION FOR SUPP. | PROTECTION RL30 | SCHUTZGITTER RL30 |



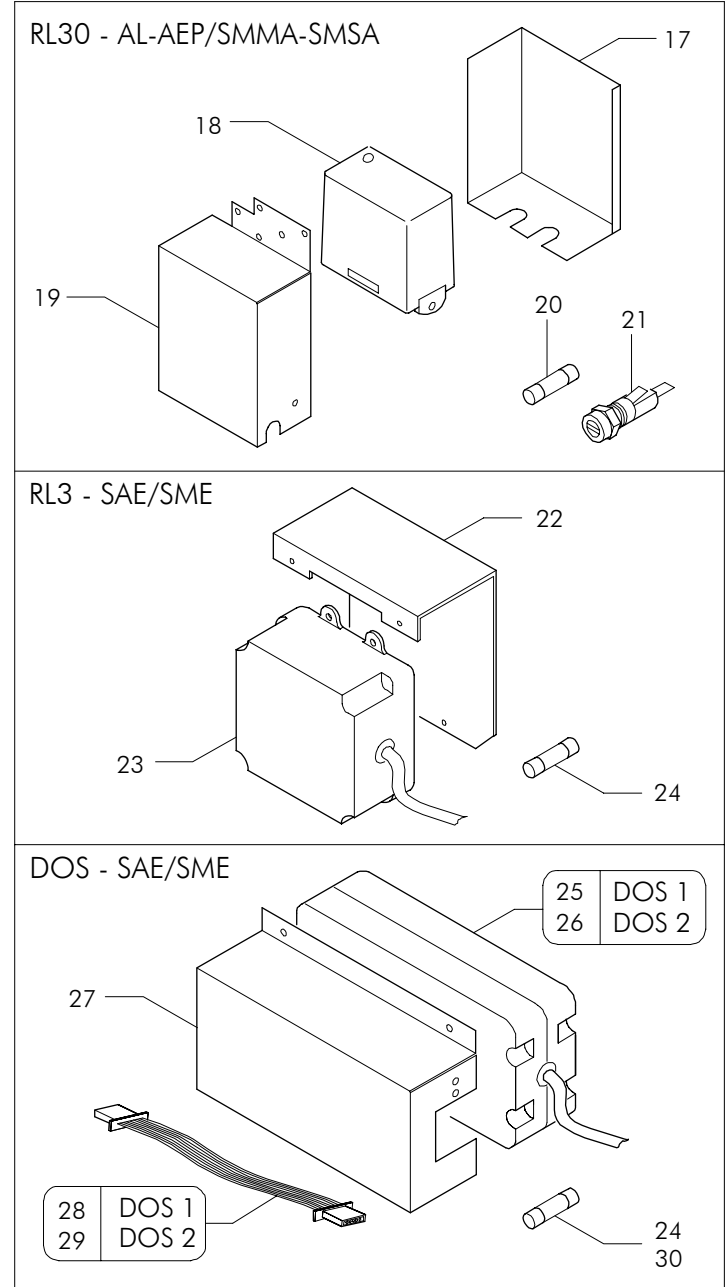
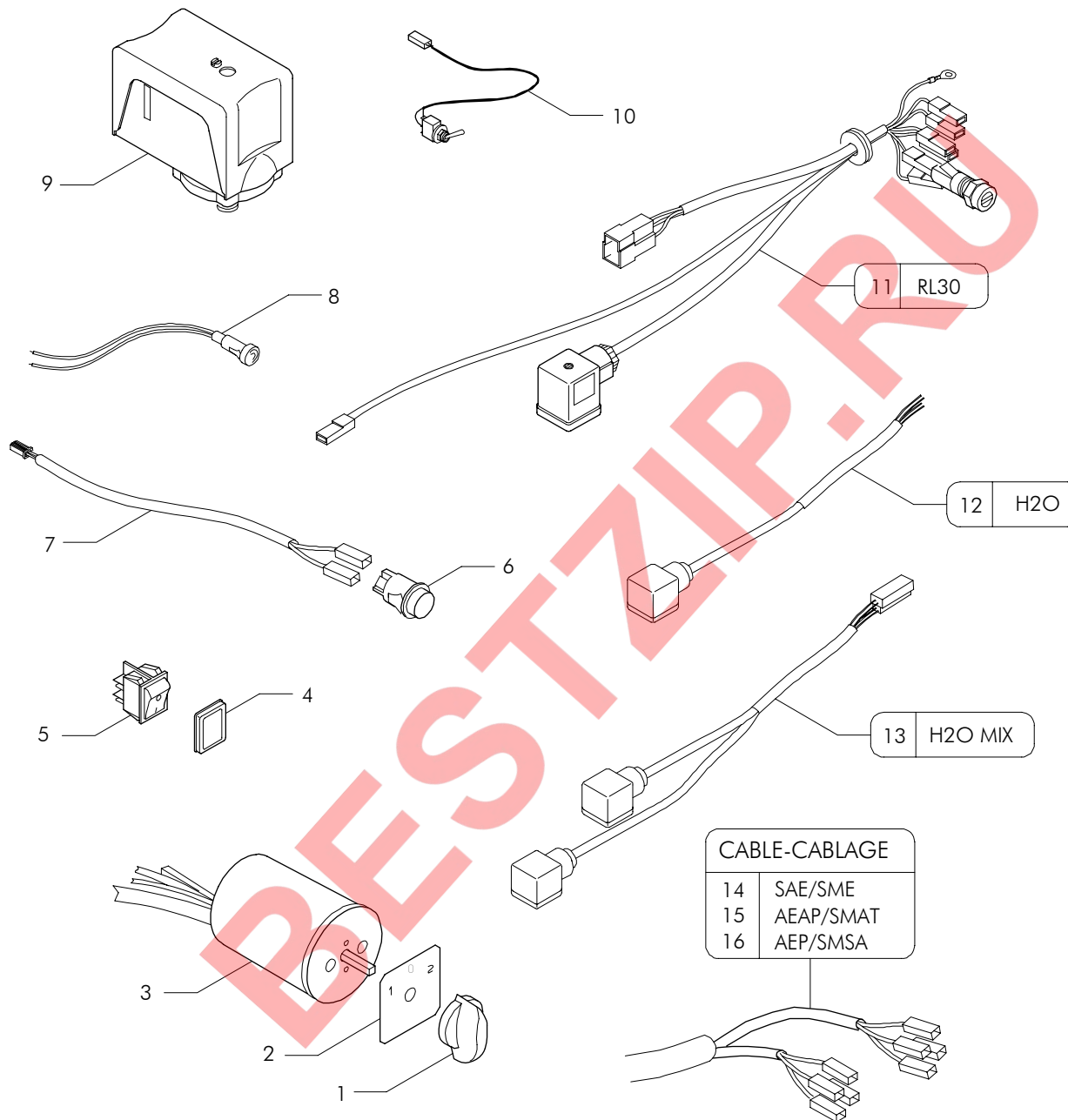
| Pos | Cod. | Denominazione - IT - | Denomination - GB - | Denomination - FR - | Denomination - DE - |
|-----|----------|--|-------------------------------------|--|--|
| 1 | 17000 | RES.1GR 4P 120V 1700W | HEATING ELEMENT 1GR 120V 1700W | RESISTANCE 1GR 120V 1700W | HEIZKORPER 1GR 120V 1700W |
| 1 | 17001 | RES.1GR 4P 120V 2000W | HEATING ELEMENT 1GR 110V-2000W | RESISTANCE ELECTRIQUE 1GR 110V2000W | HEIZKORPER 1 GR 110V 2000W |
| 1 | 17002 | RES.1GR 4P 230/240V 2000W | HEATING ELEMENT 1GR 220V/240V 2000W | RESISTANCE ELEC.1GR 220V/240V 2000W | HEIZKORPER 1GR 220V/240V 2000W |
| 1 | 17003 | RES.1GR 4P 230/240V 1700W | HEATING ELEMENT 1GR 230/240V 1700W | RESISTANCE 1GR 230/240V 1700W | HEIZKORPER 1GR 230/240V 1700W |
| 1 | 17006 | RES.1GR 6P 230/380V 1800W | HEAT.ELEMENT 1GR 220/380 2000W 6P | RESISTANCE 1GR 220/380 2000W 6POLES | HEIZKORPER 1GR 220/380 2000W |
| 2 | 23049 | DADO OTTONE M8 UNI 5587 | BRASS NUT M8 UNI 5587 | ECROU LAITON M8 UNI 5587 | MESSING-SCHRAUBENMUTTER M8 UNI 5587 |
| 3 | 23133 | PRIGIONIERO INOX AISI304 8X30 DIN 939 | STAINLESS STEEL BOLT AISI304 8X40 | VIS INOX AISI304 8X40 | STAHLSCHRAUBE 8X40 AISI304 8X40 |
| 4 | 23556 | VITE TCEI INOX 10X20 UNI5931 DIN912 | STEEL SCREW TCCE 10X20 | VIS INOX TCCE 10X20 | STAHLSCHRAUBE TCCE 10X20 |
| 5 | 12001 | GUARNIZIONE TEFLON VERGINE X RES/SCA 58X | TEFLON GASKET ELEMENT/EXCH. 58X43X2 | JOINT TEFLON RESIST/ECHANG. 58X43X2 | TEFLON DICHTUNG 58X23X2 |
| 6 | 25782 | TAPPO FEMMINA 1/4 GAS | 1/4 GAS FEMALE TAP | BOUCHON FEMELLE 1/4 GAZ | INNENANSCHLUSSSTÖPSEL 1/4 GAS |
| 7 | 12007 | GUARNIZIONE KLINGERSIL4400 | KLINGERSIL4400 COPPER SEAL | JOINT KLINGERSIL4400 POUR BOUCHON | DICHTUNG KLINGER SIL4400 X DECKEL |
| 8 | 43060 | RACCORDO 1/4X1/4X1/4 T | 'T' CONNECTOR 1/4 + 1/4 + 1/4 | RACCORD 'T' 1/4 + 1/4 + 1/4 | T' - ANSCHLUSS 1/4+1/4+1/4 |
| 9 | 12101 | GUARNIZIONE CU/ALIM 3/8 22X17X3 | 3/8 22X17X3 FEEDER/COPPER SEAL | JOINT CUIVRE/ALIM 3/8 22X17X3 | KUPFERDICHTUNG/SPEIS. 3/8 22X17X3 |
| 10 | 25686 | RACCORDO 1/4X1/4 FLANGIA | CONNECTOR 1/4 X 1/4 FLANGE | RACCORD 1/4 X 1/4 BRIDE | ANSCHLUSS 1/4X1/4 FLANSCH |
| 11 | 12153 | GUARNIZIONE CU 1/4 17X13.3X1.5 | 1/4 17X13.3X1.5 COPPER SEAL | JOINT CUIVRE 1/4 17X13.3X1.5 | KUPFERDICHTUNG 1/4 17X13.3X1.5 |
| 12 | 53011 | FLANGIA NORMALE SENZA FORI | FLANGE WITHOUT HOLES | BRIDE SANS TROUS | NORMALER FLANSCH OHNE LÖCHER |
| 13 | 12003 | GUARNIZIONE TEFLON VERGINEXCALDAIA 190X1 | BOILER TEFLON GASKET 190X139X2 | JOINT CHAUDIERE TEFLON 190X139X2 | TEFLON KESSELDICHTUNG 190X139X2 |
| 14 | 25356 | CONTRODADO OTTONE 3/8 | BRASS LOCK NUT 3/8 | CONTRE-ECROU LAITON 3/8 | MESSING-GEGENMUTTER 3/8 |
| 15 | 25651 | RONDELLA OTTONE 3/8 | BRASS WASHER 3/8 | RONDELLE LAITON 3/8 | MESSINGSCHIEBE 3/8 |
| 16 | 12005 | GUARNIZIONE REINZXSAMB. CAR.28X17X2 | GASKET KLINGERSIL4400XEXCH.25X17X2 | JOINT KLINGERSIL4400 D'ECHANGEUR | AUSTAUSCH DICHTUNG AUSTAUSCHER 28X17X2 |
| 17 | 63001 | SCAMBIATORE CARTUCCIA X5LITRI/JUN | CARTRIDGE EXCHANGER LT.5/JUN | ECHANGEUR A CARTOUCHE LT.5/JUN | EINSATZWARMETAUSCHER LT.5/JUN |
| 17 | 63002 | SCAMBIATORE CARTUCCIA NORMALE | NORMAL CARTRIDGE EXCHANGER | ECHANGEUR A CARTOUCHE NORMAL | EINSATZWARMETAUSCHER NORMAL |
| 18 | 62016 | CALDAIA 1GR ER CART AEA | BOILER 1GR - AUT.WATER REFILL | CHAUDIERE 1GR - REM.EAU.AUT. | KESSEL 1GR - AUT.WASSERFÜLLUNG |
| 18 | 62020 | CALDAIA 1GR CARTUCCIA OVE | BOILER 1GR OVE | CHAUDIERE 1GR OVE | KESSEL 1GR OVE |
| 18 | 62029 | CALDAIA JUNIOR CART + 3/8 AEA | BOILER 1GR CARTRIDGE JUN SPA A.W.R. | CHAUDIERE 1GR CARTOUCHE JUN SPA REA | EINSATZKESSEL 1GR JUN SPA A.W.F. |
| 18 | 62032 | CALDAIA JUNIOR CARTUCCIA OVE | BOILER 1 GR CARTRIDGE JUNIOR OVE | CHAUDIERE 1GR CARTOUCHE JUNIO OVE | KESSEL 1GR EINSATZ JUNIOR OVE |
| 18 | 62035 | CALDAIA JUNIOR CART AEA | BOILER JUN CARTRIDGE A.W.R. | CHAUDIERE JUN CARTOUCHE R.E.A. | KESSEL JUN EINSATZ A.W.F. |
| 19 | 43052 | RACCORDO "L" 3/8 | CONNECTOR 'L' 3/8 | RACCORD 'L' 3/8 | ANSCHLUSS 'L' 3/8 |
| 20 | 43033 | RACCORDO "T" 3/8X3/8X1/4 | 3/8X3/8X1/4 T FITTING | RACCORD "T" 3/8X3/8X1/4 | ANSCHLUSS 3/8X3/8X1/4 T |
| 21 | 52000119 | TBS.D-10 L.125 PESCANTE "L" A 50/A | D-10 125 L PIPE CUPWARMER AT 50/A | TUYAU D-10 L.125 POUR ASPIRATION "L" A 5 | ROHR D.10 L.125 A 50/A |
| 22 | 56150 | VALVOLA ANTIRISUCCHIO V.A.R. | ANTI-EDDY VALVE V.A.R. | SOUPAPE ANTI-DEPRESSION V.A.R. | VENTIL UNTERDRUCKFREI V.A.R. |
| 23 | 20251 | SONDA LIVELLO TL 10/B L125 908600 | TL 10/B L125 900000 LEVEL PROBE | JAUGE TL 10/B L125 900000 | PEGELFÜHLER TL 10/B L125 900000 |
| 24 | 20352 | VALVOLA DI SICUREZZA CE +SIG. | ATISAE+SIG. SAFETY VALVE | VANNE DE SECURITE ATISAE+JOINT | SICHERHEITSENTIL ATISAE+SIEGEL CMA |
| 24 | 20356 | VALVOLA DI SICUREZZA ISPESL+SIGILLO | ISPESL+SEAL SAFETY VALVE | VANNE DE SECURITE ISPESL+JOINT | SICHERHEITSENTIL ISPESL+SIGILLO |
| 25 | 15006001 | FLANGIA GRIGOLY VALVOLA SIC. | FLANGE GRIVORY VALVE | JOINT GRIVORY VANNE | FLANSCH GRIVORY VENTIL |
| 26 | 15478002 | TUBO SILICONE 8X11 L.70CM | SILICONE TUBE 8X11 L.70CM | TUYAU SILICONE 8X11 L.70CM | SILIKONROHR 8X11 L.70CM |
| 27 | 12300000 | GUARNIZIONE OR 3156 VITON X PISTONI | O RING VITON | JOINT OR VITON | OR DICHTUNG VITON |
| 28 | 56009980 | ASSIEME PROTEZIONE VALVOLE SICUREZZA | UNIT PROTECTION VALVE | ENSEMBLE PROTECTION VANNE | SATZ-SCHUTZGITTER VENTIL |



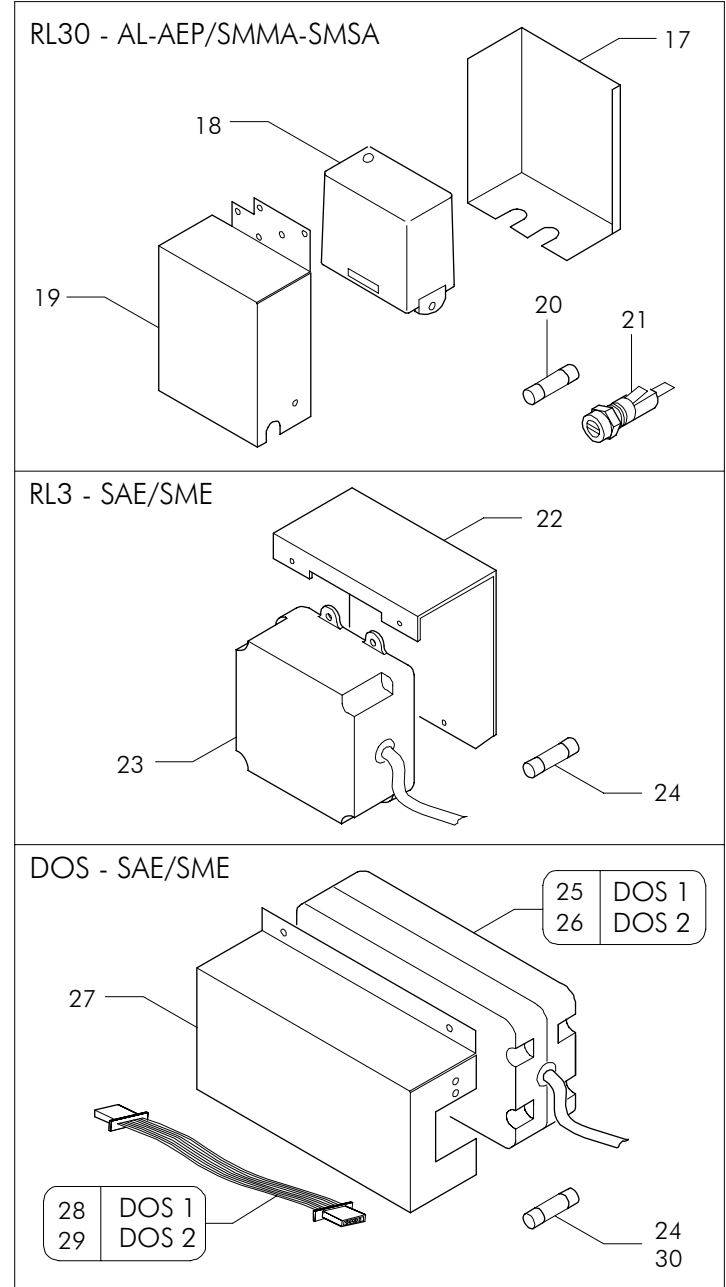
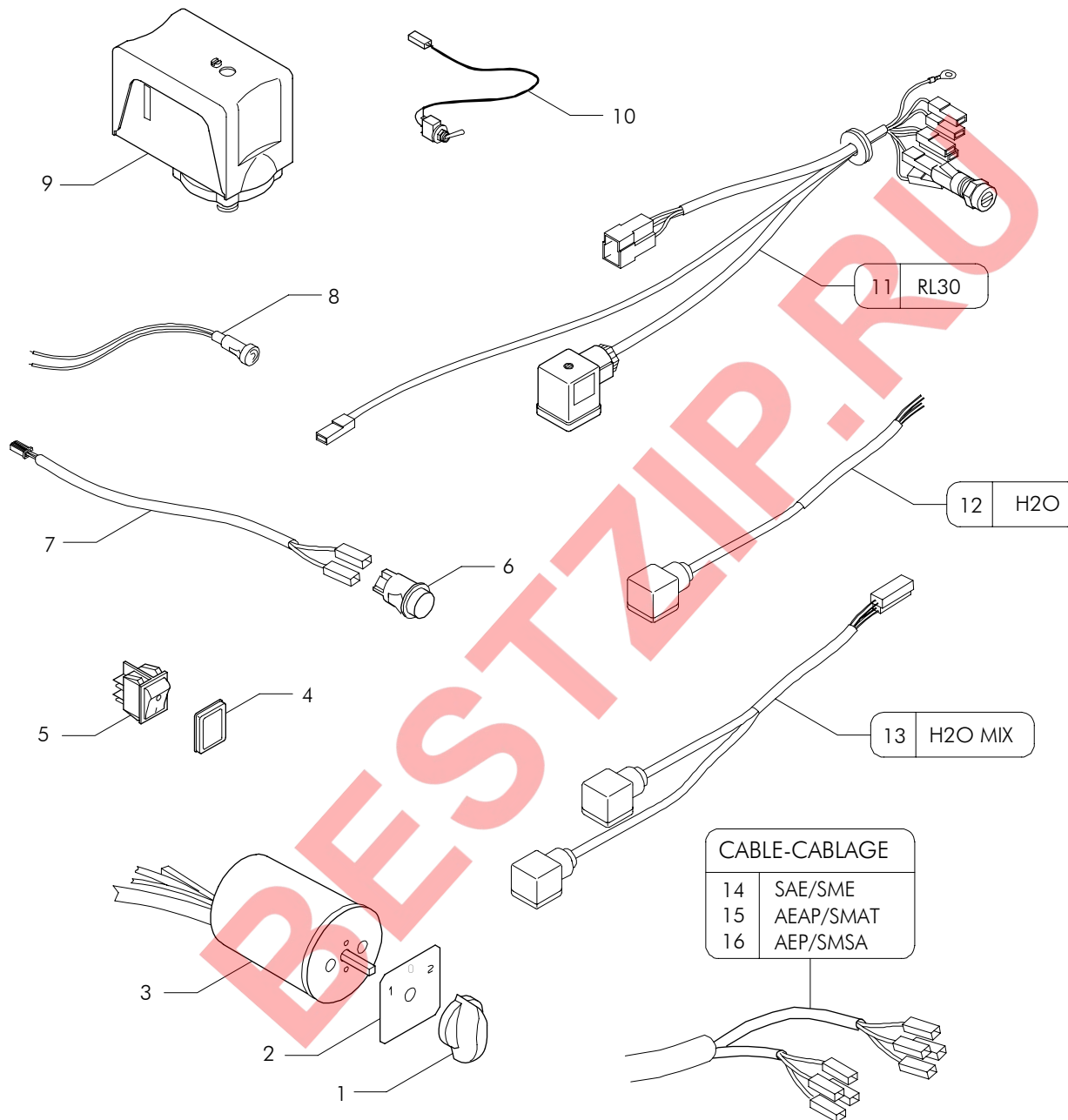
| Pos | Cod. | Denominazione - IT - | Denomination - GB - | Denomination - FR - | Denomination - DE - |
|-----|-------|---------------------------------------|-------------------------------------|-------------------------------------|--|
| 1 | 17050 | RES.2GR 4P 120V 2600W | HEATING ELEMENT 2GR 110V-2600W | RESISTANCE ELEC. 2GR 110V-2600W | HEIZKORPER 2GR 110V-2600W |
| 1 | 17051 | RES.2GR 4P 230/240V 2600W | HEATING ELEMENT 2GR 220V/240V-2600W | RESISTANCE ELEC.2GR 220V/240V-2600W | HEIZKORPER 2GR 220V/240V 2600W |
| 1 | 17053 | RES.2GR 4P 380V 4000W | HEATING ELEMENT 2GR 380V 4000W | RESISTANCE ELEC. 2GR 380V 4000W | HEIZKORPER 2GR 380V 4000W |
| 1 | 17054 | RES.2GR 6P 230/380V 2600W | HEATING EL.2GR 220/380V-2600W 6POLE | RESISTANCE 2GR 220V/380V-2600W 6P | HEIZKORPER 2GR 220V/380V-2600 6P |
| 1 | 17056 | RES.2GR 4P 230/240V 4000W | HEATING ELEMENT 2GR 220/240V 4000W | RESISTANCE ELEC. 2GR 220/240V 4000W | HEIZKORPER 2GR 220/240V 4000W |
| 1 | 17057 | RES.2GR 6P 230/380V 4000W | HEATING EL. 2GR 220/380V-4000W 6P | RESISTANCE 2GR 220/380V 4000W 6P. | HEIZKORPER 2GR 220/380V 4000W 6P |
| 1 | 17058 | RES.2GR 6P 230/380V 3000V | HEATING EL.2GR 220/380V-3000W 6POLE | RESISTANCE 2GR 220/380V-3000W 6POLE | HEIZKORPER 2GR 220/380V-3000W 6P |
| 1 | 17059 | RES.2GR 6P 230/380V 3400W | HEATING EL.2GR 220/380V-3400W 6POLE | RESISTANCE 2GR 220/380V-3400W 6POLE | HEIZKORPER 2GR 220/380V-3400W 6P |
| 1 | 17060 | RES.2GR 6P 230/380V 4500W | HEATING EL.2GR 230/380V 4500W 6POLE | RESISTANCE 2GR 230/380V 4500W 6POLE | HEIZKORPER 2GR 230/380V 4500W 6P |
| 1 | 17061 | RES.2GR 4P 440V 2600W | HEATING ELEMENT 2GR 440V 2600W 4P | RESISTANCE ELEC. 2GR 440V 2600W 4P | HEIZKORPER 2GR 440V 2600W 4P |
| 1 | 17062 | RES.2GR 4P 440V 4000W | HEATING ELEMENT 2GR 440V 4000W 4P | RESISTANCE ELEC. 2GR 440V 4000W 4P | HEIZKORPER 2GR 440V 4000W 4P |
| 1 | 17100 | RES.3GR 4P 120V 3700W | HEATING ELEMENT 3 GR 110V 3700W | RESISTANCE ELEC. 3GR 110V 3700W | HEIZKORPER 3GR 110V 3700W |
| 1 | 17101 | RES.3GR 4P 230/240V 3700W | HEATING ELEMENT 3GR 220/240V 3700W | RESISTANCE ELEC. 3GR 220/240V 3700W | HEIZKORPER 3GR 220/240V-3700W |
| 1 | 17103 | RES.3GR 4P 380V 5000W | HEATING ELEMENT 3GR 380V 3700W | RESISTANCE ELEC. 3GR 380V 3700W | HEIZKORPER 3GR 380V 3700W |
| 1 | 17104 | RES.3GR 6P 230/380V 3700W | HEATING EL. 3GR 220/380V 3700W 6P | RESISTANCE 3GR 220/380V 3700W 6P | HEIZKORPER 3GR 220/380V 3700W 6P |
| 1 | 17106 | RES.3GR 4P 230/240V 5000W | HEATING ELEMENT 3GR 220/240V 5000W | RESISTANCE ELEC. 3GR 220/240V 5000W | HEIZKORPER 3GR 220/240V 5000W |
| 1 | 17107 | RES.3GR 6P 230/380V 5000W | HEATING EL. 3GR 220/380V 5000W 6P | RESISTANCE 3GR 220/380V 5000W 6P | HEIZKORPER 3GR 220/380V 5000W 6P |
| 1 | 17114 | RES.3GR 4P 440V 3700W | HEATING EL. 3GR 440V 3700W 4POLE | RESISTANCE 3GR 440V 3700W 4POLE | HEIZKORPER 3GR 440V 3700W 4P |
| 1 | 17150 | RES.4GR 4P 230/240V 5000W | HEATING ELEMENT 4GR 220/240V 5000W | RESISTANCE ELEC. 4GR 220/240V 5000W | HEIZKORPER 4GR 220/240V 5000W |
| 1 | 17151 | RES.4GR 6P 230/380V 5000W | HEATING EL. 4GR 220/380V 5000W 6P | RESISTANCE 4GR 220/380V 5000W 6P | HEIZKORPER 4GR 220/380V 5000W 6P |
| 1 | 17152 | RES.4GR 4P 230/240V 7000W | HEATING ELEMENT 4GR 220/240V 7000W | RESISTANCE ELEC. 4GR 220/240V 7000W | HEIZKORPER 4GR 220/240V 7000W |
| 1 | 17153 | RES.4GR 6P 230/380V 6000W | HEATING EL. 4GR 220/380V 7000W 6P | RESISTANCE 4GR 220/380V 7000W 6P | HEIZKORPER 4GR 220/380V 7000W 6P |
| 1 | 17155 | RES.4GR 4P 440V 5000W | HEATING EL. 4GR 440V 5000W 4POLES | RESISTANCE 4GR 440V 5000W 4POLES | HEIZKORPER 4GR 440V 5000W 4POLEN |
| 2 | 23049 | DADO OTTONE M8 UNI 5587 | BRASS NUT M8 UNI 5587 | ECROU LAITON M8 UNI 5587 | MESSING-SCHRAUBENMUTTER M8 UNI 5587 |
| 3 | 23133 | PRIGIONIERO INOX AISI304 8X30 | STAINLESS STEEL BOLT AISI304 8X40 | VIS INOX AISI304 8X40 | STAHLSCRAUBE 8X40 AISI304 8X40 |
| 4 | 23556 | VITE TCEI INOX 10X20 UNI5931 | STEEL SCREW TCCE 10X20 | VIS INOX TCCE 10X20 | STAHLSCRAUBE TCCE 10X20 |
| 5 | 12001 | GUARNIZIONE TEFLON VERGINE | TEFLON GASKET ELEMENT/EXCH. 58X43X2 | JOINT TEFLON RESIST/ECHANG. 58X43X2 | TEFLON DICHTUNG 58X23X2 |
| 6 | 25782 | TAPPO FEMMINA 1/4 GAS | 1/4 GAS FEMALE TAP | BOUCHON FEMELLE 1/4 GAZ | INNENANSCHLUSSSTÖPSEL 1/4 GAS |
| 7 | 12007 | GUARNIZIONE KLINGERSIL4400 | KLINGERSIL4400 COPPER SEAL | JOINT KLINGERSIL4400 POUR BOUCHON | DICHTUNG KLINGER SIL4400 X DECKEL |
| 8 | 43060 | RACCORDO 1/4X1/4X1/4 T | 'T' CONNECTOR 1/4 + 1/4 + 1/4 | RACCORD 'T' 1/4 + 1/4 + 1/4 | T'-ANSCHLUSS 1/4+1/4+1/4 |
| 9 | 12101 | GUARNIZIONE CU/ALIM 3/8 22X17X3 | 3/8 22X17X3 FEEDER/COPPER SEAL | JOINT CUIVRE/ALIM 3/8 22X17X3 | KUPFERDICHTUNG/SPEIS. 3/8 22X17X3 |
| 10 | 25686 | RACCORDO 1/4X1/4 FLANGIA | CONNECTOR 1/4 X 1/4 FLANGE | RACCORD 1/4 X 1/4 BRIDE | ANSCHLUSS 1/4X1/4 FLANSCH |
| 11 | 12153 | GUARNIZIONE CU 1/4 17X13.3X1.5 | 1/4 17X13.3X1.5 COPPER SEAL | JOINT CUIVRE 1/4 17X13.3X1.5 | KUPFERDICHTUNG 1/4 17X13.3X1.5 |
| 12 | 53011 | FLANGIA NORMALE SENZA FORI | FLANGE WITHOUT HOLES | BRIDE SANS TROUS | NORMALER FLANSCH OHNE LÖCHER |
| 13 | 12003 | GUARNIZ. TEFLON VERGINEXCALDAIA 190X1 | BOILER TEFLON GASKET 190X139X2 | JOINT CHAUDIERE TEFLON 190X139X2 | TEFLON KESSELDICHTUNG 190X139X2 |
| 14 | 25356 | CONTRODADO OTTONE 3/8 | BRASS LOCK NUT 3/8 | CONTRE-ECROU LAITON 3/8 | MESSING-GEGENMUTTER 3/8 |
| 15 | 25651 | RONDELLA OTTONE 3/8 | BRASS WASHER 3/8 | RONDELLE LAITON 3/8 | MESSINGSCHIEBE 3/8 |
| 16 | 12005 | GUARNIZIONE REINZXCAMB.CAR.28X17X2 | GASKET KLINGERSIL4400EXCH.25X17X2 | JOINT KLINGERSIL4400 D'ECHANGEUR | AUSTAUSCH DICHTUNG AUSTAUSCHER 28X17X2 |
| 17 | 63002 | SCAMBIATORE CARTUCCIA NORMALE | NORMAL CARTRIDGE EXCHANGER | ECHANGEUR A CARTOUCHE NORMAL | EINSATZWARMETAUSCHER NORMAL |



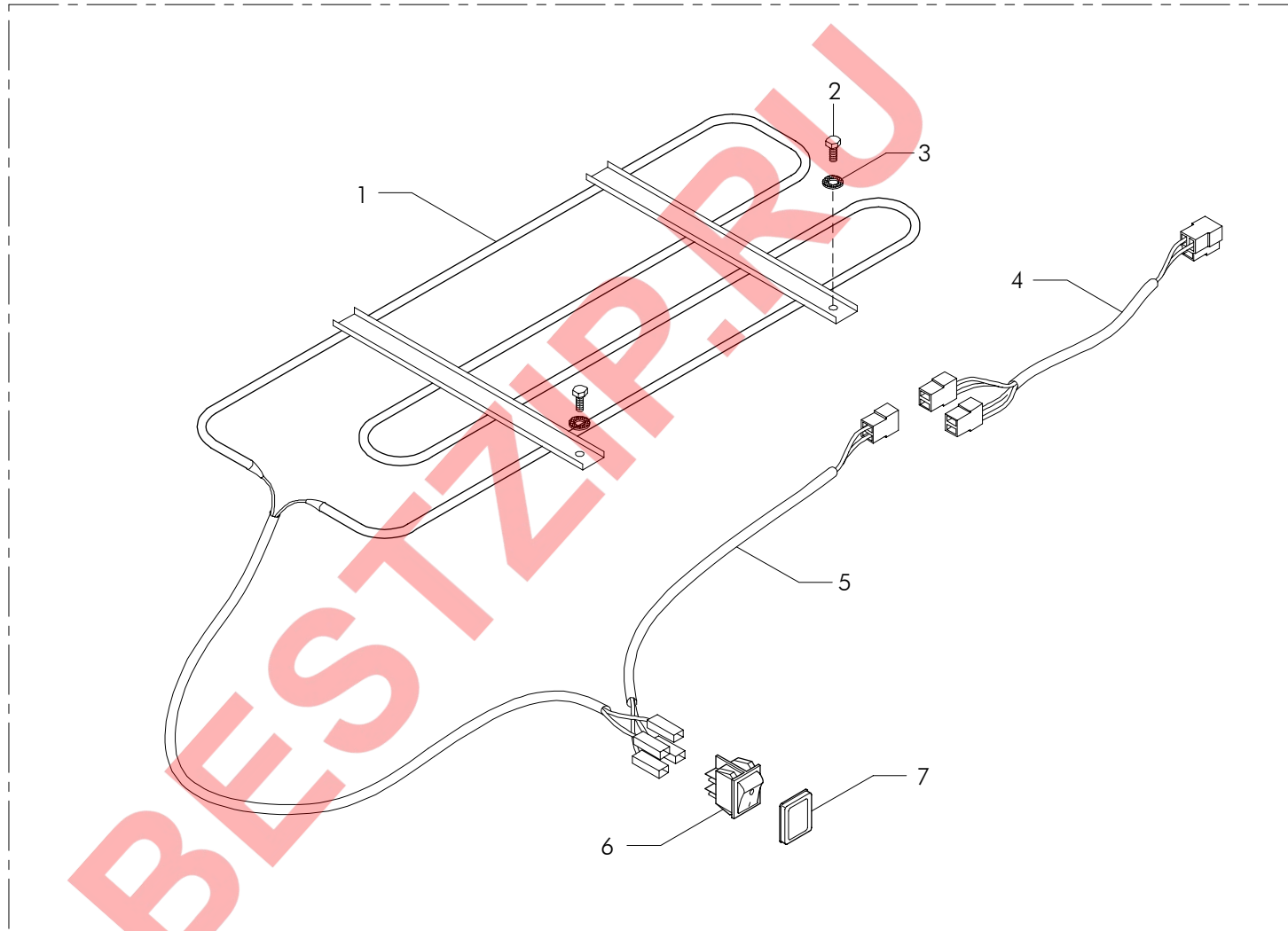
| Pos | Cod. | Denominazione - IT - | Denomination - GB - | Denomination - FR - | Denomination - DE - |
|-----|----------|--------------------------------------|-------------------------------------|--------------------------------------|-------------------------------------|
| 18 | 62142 | CALDAIA 2GR ER AEA - CARTUCCIA | BOILER 2GR DISTRIBUTION A.W.R. | CHAUDIERE 2GR DEBIT R.E.A. | KESSEL 2GR AUSGABE A.W.F. |
| 18 | 62144 | CALDAIA 2GR ER CART + 3/8 AEA | BOILER 2GR DISTRIBUTION+3/8 A.W.R. | CHAUDIERE 2GR DEBIT+3/8 R.E.A. | KESSEL 2GR AUSGABE + 3/8 A.W.F. |
| 18 | 62145 | CALDAIA 2GR CARTUCCIA OVE | BOILER 2GR DISTRIBUTION - OVE | CHAUDIERE 2GR DEBIT - OVE | KESSEL 2GR AUSGABE - OVE |
| 18 | 62223 | CALDAIA 2GR ER CART + 1TR AEA | BOILER 2GR DIST.+1BULK UNIT A.W.R. | CHAUDIERE 2GR DEBIT+1 THERMO R.E.A. | KESSEL 2GR AUSGABE+1BRUHGRUPPE AWF |
| 18 | 62225 | CALDAIA 2GR CARTUCCIA + 1TR OVE | BOILER 2GR DIST. + 1 BULK UNIT OVE | CHAUDIERE 2GR DIST.+1 THERMO R. OVE | KESSEL 2GR AUSGABE + 1 BRUHGRUPPE |
| 18 | 62251 | CALDAIA 3GR ER CART AEA | BOILER 3GR DISTRIBUTION - A.W.R. | CHAUDIERE 3GR DEBIT - R.E.A. | KESSEL 3GR AUSGABE - A.W.F. |
| 18 | 62253 | CALDAIA 3GR ER CART + 3/8 AEA | BOILER 3GR DIST. A.W.R. 2V+3/8 | CHAUDIERE 3GR DEBIT R.E.A. 2V+3/8 | KESSEL 3GR AUSGABE A.W.F. 2V+3/8 |
| 18 | 62255 | CALDAIA 3GR CARTUCCIA OVE | BOILER 3GR DISTRIBUTION - OVE | CHAUDIERE 3GR DEBIT - OVE | KESSEL 3GR AUSGABE - OVE |
| 18 | 62301 | CALDAIA 3GR ER CART + 1TR AEA | BOILER 3GR DIST.+1BULK UNIT A.W.R. | CHAUDIERE 3GR DEBIT+1THERMO R.E.A. | KESSEL 3GR AUSGABE+1BRUHGRUPPE AWF |
| 18 | 62303 | CALDAIA 3GR CARTUCCIA + 1TR OVE | BOILER 3GR DIST.+1 BULK UNIT OVE | CHAUDIERE 3GR DEBIT+1 THERMO OVE | KESSEL 3GR AUSGABE + 1 BRUHGRUPPE |
| 18 | 62321 | CALDAIA 3GR ER CART + 2TR AEA | BOILER 3GR DIST.+2 BULK UNITS A.W.R | CHAUDIERE 3GR DEBIT+2 THERMO R.E.A. | KESSEL 3GR AUSGABE +2 BRUHGR. A.W.F |
| 18 | 62323 | CALDAIA 3GR CARTUCCIA + 2TR OVE | BOILER 3GR DIST.+2 BULK UNITS OVE | CHAUDIERE 3GR DEBIT+2 THERMO R. OVE | KESSEL 3GR AUSGABE + 2BRUHGR. OVE |
| 18 | 62357 | CALDAIA 4GR ER CART.+3/8 AEA | BOILER 4GR 2V - AUT.WATER REFILL | CHAUDIERE 4GR 2V - REM.EAU AUT. | KESSEL 4GR 2V - AUT.WASSERFÜLLUNG |
| 18 | 62358001 | CALDAIA 4GR CARTUCCIA OVE | BOILER 4GR DISTRIBUTION OVE | CHAUDIERE 4GR DEBIT OVE | KESSEL 4GR AUSGABE OVE |
| 18 | 62391 | CALDAIA 4GR ER CART + 1TR AEA | BOILER 4GR DIST.+1 BULK U. A.W.R. | CHAUDIERE 4GR DEBIT+1 THERMO R.E.A. | KESSEL 4GR AUSGABE + 1BRUHGR. A.W.F |
| 18 | 62393 | CALDAIA 4GR ER CART + 2TR AEA | BOILER 4GR DIST.+2 BULK U. A.W.R. | CHAUDIERE 4GR DEBIT+2 THERMO R.E.A. | KESSEL 4GR AUSGABE + 2BRUHGR. A.W.F |
| 19 | 43052 | RACCORDO "L" 3/8 | CONNECTOR 'L' 3/8 | RACCORD 'L' 3/8 | ANSCHLUSS 'L' 3/8 |
| 20 | 12154 | GUARNIZIONE CU 3/8 22X17X1.5 | 3/8 22X17X1.5 COPPER SEAL | JOINT CUIVRE 3/8 22X17X1.5 | KUPFERDICHTUNG 3/8 22X17X1.5 |
| 21 | 25780 | TAPPO MASCHIO OTTONE 1/4 | BRASS MALE CAP 1/4 | BOUCHON MALE LAITON 1/4 | MESSING-STOPFEN 1/4 |
| 22 | 52000119 | TBS.D-10 L.125 PESCANTE "L" A 50/A | D-10 125 L PIPE CUPWARMER AT 50/A | TUYAU D-10 L.125 POUR ASPIRATION "L" | ROHR D.10 L.125 A 50/A |
| 23 | 43052 | RACCORDO "L" 3/8 | CONNECTOR 'L' 3/8 | RACCORD 'L' 3/8 | ANSCHLUSS 'L' 3/8 |
| 24 | 25687 | RACCORDO 3/8X3/8 GAS | 3/8X3/8 GAS FITTING | RACCORD 3/8X3/8 GAZ | ANSCHLUSS 3/8X3/8 GAS |
| 25 | 56150 | VALVOLA ANTIRISUCCHIO V.A.R. | ANTI-EDDY VALVE V.A.R. | SOUPAPE ANTI-DEPRESSION V.A.R. | VENTIL UNTERDRUCKFREI V.A.R. |
| 26 | 52000118 | TBS.D-10 L.130 AL - ER A 50 PESCANTE | TUBE D-10 L.100 AL A50 | TUYAU D-10 L.100 AL A50 | ROHR D-10 L.100 AL A50 |
| 27 | 43033 | RACCORDO "T" 3/8X3/8X1/4 | 3/8X3/8X1/4 T FITTING | RACCORD "T" 3/8X3/8X1/4 | ANSCHLUSS 3/8X3/8X1/4 T |
| 28 | 20352 | VALVOLA DI SICUREZZA CE +SIG. | ATISAE+SIG. SAFETY VALVE | VANNE DE SECURITE ATISAE+JOINT | SICHERHEITSVENTIL ATISAE+SIEGEL CMA |
| 28 | 20356 | VALVOLA DI SICUREZZA ISPESL+SIGILLO | ISPESL+SEAL SAFETY VALVE | VANNE DE SECURITE ISPESL+JOINT | SICHERHEITSVENTIL ISPESL+SIGILLO |
| 29 | 25785 | TAPPO MASCHIO 3/8 | MALE CAP 3/8 | BOUCHON MALE 3/8 | STOPFEN 3/8 |
| 30 | 15422010 | RACCORDO "Y" POLIPROPILENE D-10 | "Y" POLIPROPILENE FITTING | RACCORD "Y" POLIPROPILENE | ANSCHLUSS "Y" POLIPROPILENE |
| 31 | 20251 | SONDA LIVELLO TL 10/B L125 908600 | TL 10/B L125 900000 LEVEL PROBE | JAUGE TL 10/B L125 900000 | PEGELFÜHLER TL 10/B L125 900000 |
| 32 | 15006001 | FLANGIA GRIGOLY VALVOLA SIC. | FLANGE GRIVORY VALVE | JOINT GRIVORY VANNE | FLANSCH GRIVORY VENTIL |
| 33 | 15478002 | TUBO SILICONE 8X11 L.70CM | SILICONE TUBE 8X11 L.70CM | TUYAU SILICONE 8X11 L.70CM | SILIKONROHR 8X11 L.70CM |
| 34 | 12300000 | GUARNIZIONE OR 3156 VITON X PISTONI | O RING VITON | JOINT OR VITON | OR DICHTUNG VITON |
| 35 | 56009980 | ASSIEME PROTEZIONE VALVOLE SICUREZZA | UNIT PROTECTION VALVE | ENSEMBLE PROTECTION VANNE | SATZ-SCHUTZGITTER VENTIL |



| Pos | Cod. | Denominazione - IT - | Denomination - GB - | Denomination - FR - | Denomination - DE - |
|-----|----------|--|--|---|--|
| 1 | 15271 | MANOPOLA INTERR.GENERALE BREMAS | MAIN SWITCH HAND GRIP | MANETTE INTERR. GENERAL | HAUPTSCHALTERGRIFF |
| 2 | 29067 | ETICHETTA ADESIVA '1-0-2'NERO PLASTICO 5 | ADHESIVE LABEL '1-0-2' BLACK PLASTI | ETIQ. ADHES. 1-0-2' NOIR PLASTIQUE | KLEBEETIKETTE '1-0-2'SCHWARZ PLAST |
| 2 | 29068 | ETICHETTA ADESIVA '0-1'NERO PLASTICO 58X | PLASTIC ADHESIVE PLATE 0-1 58X58 | PLAQUETTE ADHESIVE 0-1 58X58 | KLEBESCHILD 0-1 58X58 |
| 3 | 18103 | COMMUTATORE BREMAS A25.2 SCH.0408/7412 | COMMUTATOR BREMAS A25.2 | COMMUTATEUR BREMAS A25.2 | UMSCHALTER BREMAS A25.2 |
| 3 | 18104 | COMMUTATORE BREMAS A20.12 CS0177412.328 | COMMUTATOR BREMAS A20.12 | COMMUTATEUR BREMAS A20.12 | UMSCHLATER BREMAS A20.12 |
| 3 | 18105 | COMMUTATORE BREMAS A32.12 CS0257412.288 | COMMUTATOR BREMAS A32.12 | COMMUTATEUR BREMAS A32.12 | UMSCHALTER BREMAS A32.12 |
| 3 | 18200 | INTERRUTTORE BREMAS A20.02 CA0170002.328 | BREMAS SWITCH A20.02 | INTERRUPTEUR BREMAS A20.02 | BREMAS SCHALTER A20.02 |
| 3 | 18201 | INTERRUTTORE BREMAS A20.03 CA0170003.328 | BREMAS SWITCH A20.02 | INTERRUPTEUR BREMAS A20.03 | BREMAS SCHALTER A20.03 |
| 3 | 18202 | INTERRUTTORE BREMAS A25.03 | BRAMAS SWITCH A25.03 | INTERRUPTEUR BREMAS A25.03 | BREMAS SCHALTER A25.03 |
| 3 | 18203 | INTERRUTTORE BREMAS A25.02 | BRAMAS SWITCH A25.02 | INTERRUPTEUR BREMAS A25.02 | BREMAS SCHALTER A25.02 |
| 3 | 18205 | INTERRUTTORE BREMAS A20.04 CA0170004.328 | BREMAS SWITCH A20.04 CA0170004 | INTERRUPTEUR BREMAS A20.04 CA0170004 | BREMAS SCHALTER A20.04 |
| 3 | 18206 | INTERRUTTORE BREMAS A32.02 CA0250002.288 | BREMAS SWITCH A32.02 | INTERRUPTEUR BREMAS A32.02 | BREMAS SCHALTER A32.02 |
| 3 | 18207 | INTERRITTORE BREMAS A32.03 CA0250003.288 | BREMAS SWITCH A32.03 | INTERRUPTEUR BREMAS A32.03 | BREMAS SCHALTER A32.03 |
| 3 | 18208 | INTERRUTTORE BREMAS A32.04 CA0250004.288 | BREMAS SWITCH A32.04 | INTERRUPTEUR BREMAS A32.04 | BREMAS SCHALTER A32.04 |
| 4 | 19049 | COPERTURA INTERRUTTORE B4 | SWITCH COVER B4 | PROTECTION INTERRUPTEUR | SCHALTER ABD. B4 |
| 5 | 18260 | INTERRUTTORE BIPOLARE LUMINOSO ROSSOB418 | B418C1G210000 LUMINOUS RED BIPOLAR | INTER. BIP. LUMINEUX ROUGE B418C1G210 | ZWEIPOLIGER ROTER LEUCHTSCHALTER B418C1 |
| 5 | 18262 | INTERRUTTORE BIPOLARE LUM.BIANCO B418C1L | B418C1L110000 LUMINOUS COLOURLESS BIPOLA | INT.BIP.LUMINEUX INCOLORE B418C1L110000 | BIPOLAR FARBL0S LEUCHTSCHALTER B418C1L11 |
| 6 | 18245 | INT.PULSANTE SP6014C10000 BIANCO | PUSH BUTTON SWITCH SPL60 - RED | BOUTON POUSSOIR SPL60 - ROUGE | DRUCKKNOPFSCHALTER SPL60 - ROT |
| 7 | 22719005 | CABLAGGIO THE LUNGO | LONG CABLE THE | CABLAGE THE LONG | LANGER VERKABELUNG THE |
| 7 | 22719014 | CABLAGGIO THE | CABLE THE | CABLAGE THE | VERKABELUNG THE |
| 8 | 21010 | LAMPADA SPIA VERDE 110V CAVI L=645 | GREEN WARNING LIGHT 110V 32 | LAMPE TEMOIN VERTE 110V | GRUNE KONTROLLAMPE 110V 32 |
| 8 | 21011 | LAMPADA SPIA VERDE 220V 332247030T | 220V 332247030T GREEN INDICATOR LIG | AMPOULE TEMOIN VERT 220V 332247030T | KONTROLLEUCHTE GRÜN 220V 332247030T |
| 8 | 21012 | LAMPADA SPIA ARANCIONE 380V | GREEN WARNING LIGHT 380V | LAMPE TEMOIN VERTE 380V | GRUNE KONTROLLAMPE 380V |
| 9 | 20150 | PRESSOSTATO SECCO SIRAI P302/6 | SIRAI P302/6 DRY PRESSURE SWITCH | PRESSOSTAT SEC SIRAI P302/6 | TROCKENDRUCKWÄCHTER SIRAI P302/6 |
| 10 | 18249 | INTERRUTTORE A LEVA PER PROGRAMMI | LEVER SWITCH FOR PROGRAMS | INTERRUPTEUR A LEVIER POUR PROGRAMMES | HEBELSCHALTER FUR PROGRAMM |
| 10 | 22723C | CAVO CON INT.PROG."TH" L1000 | 1000L CABLE WITH TH SWITCH.PROGR. | CABLE AVEC INTER. PROGR.TH L.1000 | KABEL MIT PROGRAMMSCHALTER TH L1000 |
| 11 | 22858 | CABLAGGIO AEA 1-4GR | CABLE A.W.R. 1-4GR | CABLAGE R.E.A. 1-4GR | VERDRAHTUNG A.W.F.1-4GR |
| 12 | 22719 | CABL.THE AUT.SAE/EVD PG9 1>4GR | CABLE X AUTOM.TEA *EVD* WEGA 2-3GR | CABLAGE X TE AUTOM.*EVD*WEGA 2-3GR | VERDRAHT.XAUT.TEE *EVD* WEGA 2-3GR |
| 13 | 22719003 | CABLAGGIO H20/MIX SAE 1>3GR DV/AR | CABLING H20/MIX SAE 1-3 UNITS | CABLE EAU/MIX SAE 1-3GR DV/AR | VERLABELUNG H20/MIX SAE 1-3 GR. |
| 13 | 22719004 | CABLAGGIO H20/MIX SAE 4GR DV/AR | CABLING H20/MIX SAE 4 UNITS | CABLE EAU/MIX SAE 4GR | VERLABELUNG H20/MIX 4GR. |
| 14 | 228005 | CABLAGGIO SAE-EVD/1 NEW X PG9 | CABLE SAE/1 NEW X PG9 | CABLAGE SAE/1 NEW X PG9 | VERDRAHTUNG SAE/1 NEW X PG9 |
| 14 | 228006 | CABLAGGIO SAE-EVD/2 NEW X PG9 | CABLE SAE/2 NEW X PG9 | CABLAGE SAE/2 NEW X PG9 | VERDRAHTUNG SAE/2 NEW X PG9 |
| 14 | 228007 | CABLAGGIO SAE-EVD/3 NEW X PG9 | CABLE SAE/3 NEW X PG9 | CABLAGE SAE/3 NEW X PG9 | VERDRAHTUNG SAE/3 NEW X PG9 |
| 14 | 228008 | CABLAGGIO SAE-EVD/4 NEW X PG9 | CABLE SAE/4 NEW X PG9 | CABLAGE SAE/4 NEW X PG9 | VERDRAHTUNG SAE/4 NEW X PG9 |
| 15 | 227335 | CABLAGGIO AEAP/1+JUN CON AEA 97 | CABLE AEAP/1 + AEA | CABLAGE AEAP/1 + AEA | VERDRAHTUNG AEAP/1 + AEA |
| 15 | 227336 | CABLAGGIO AEAP/2 CON AEA 97 | CABLE AEAP/2 + AEA | CABLAGE AEAP/2 + AEA | VERDRAHTUNG AEAP/2 + AEA |
| 15 | 227337 | CABLAGGIO AEAP/3 CON AEA 97 | CABLE AEAP/3 + AEA | CABLAGE AEAP/3 + AEA | VERDRAHTUNG AEAP/3 + AEA |
| 15 | 227338 | CABLAGGIO AEAP/4 CON AEA 97 | CABLE AEAP/4 + AEA | CABLAGE AEAP/4 + AEA | VERDRAHTUNG AEAP/4 + AEA |



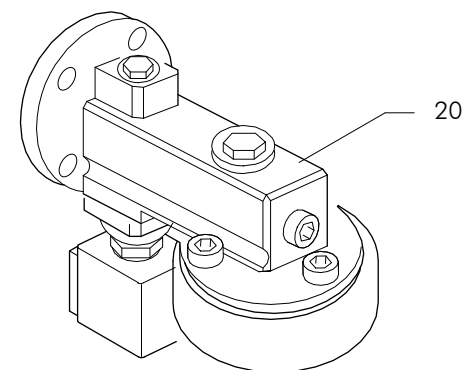
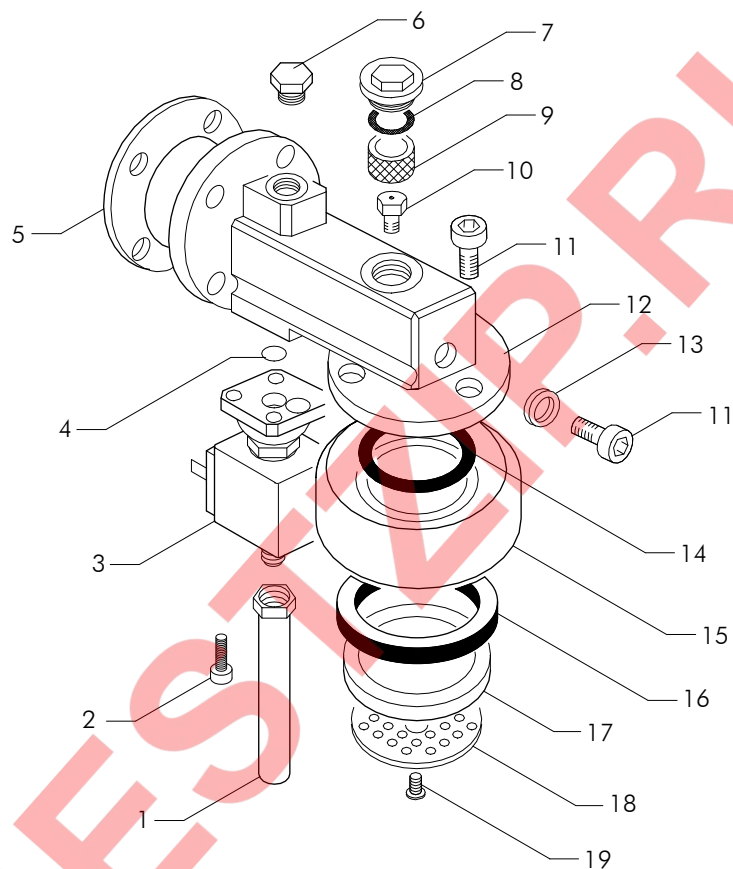
| Pos | Cod. | Denominazione - IT - | Denomination - GB - | Denomination - FR - | Denomination - DE - |
|-----|----------|--|---|---|-------------------------------------|
| 16 | 227701 | CABLAGGIO AEP/1 + JUNIOR NEW | AEP/1 + JUNIOR NEW WIRING | CABLAGE AEP/1 + JUNIOR NEW | VERKABELUNG AEP/1 + JUNIOR NEW |
| 16 | 227702 | CABLAGGIO AEP/2 NEW | AEP/2 NEW CABLING | CABLAGE AEP/2 NEW | VERKABELUNG AEP/2 NEW |
| 16 | 227703 | CABLAGGIO AEP/3 NEW | AEP/3 NEW CABLING | CABLAGE AEP/3 NEW | VERKABELUNG AEP/3 NEW |
| 16 | 227704 | CABLAGGIO AEP/4 NEW | CABLE AEP/4 NEW | CABLAGE AEP/4 NEW | VERDRAHTUNG AEP/4 NEW |
| 17 | 77691F | PROTEZIONE CENTRALINA RL30 PER SUPP.7820 | RL30 GEARCASE PROTECTION FOR SUPP.78200 | PROTECTION RL30 | SCHUTZGITTER RL30 |
| 18 | 18080001 | REGOLATORE LIVELLO RL30/T.O.220/240V 917 | LEVEL CONTROL RL30/T.O.220/240V | CONTROLE NIVEAU RL30/T.O.220/240V | WASSERNIVEAUREGLER RL30/TO 220/240V |
| 18 | 18081001 | REGOLATORE LIVELLO RL30/TIMEOUT 120V | LEVEL CONTROL RL30/TIMEOUT 120V | CONTROLE NIVEAU RL30/TIMEOUT 120V | WASSERNIVEAUREGLER RL30/TO 120V |
| 19 | 78200 | SUPPORTO AEA RL30 X TUTTI I TELAI MODUL | AWR BEARING RL30XALL MODUL.FRAMES | SUPPORT REA RL30 POUR TOUS CHASSIS MOD. | AWF HALTER RL30XFUR ALLE MOD.RAHMEN |
| 20 | 19101 | FUSIBILE OMEGA 5X20 2A SF520220 OMEGA | FUSE OMEGA 5X20 2A SF520220 | FUSIBLE OMEGA 5X20 2A SF520220 | SCHMELZSICH.OMEGA 5X20 2A SF520220 |
| 21 | 19122 | PORTAFUSIBILE P2300 10A 250V OMEGA | FUSE HOLDER P2300 10A 250V OMEGA | PORTE-FUSIBLE P2300 10A 250V OMEGA | SICHERUNGSHALTER P2300 10A 250V OM. |
| 22 | 78152001 | SUPP.CENTRALINA RL3 | GEARCASE BEARING JUN - FRAME ARG. | SUPPORT CENTRALE JUN-CHASSIS ARG. | STEUERUNG HALTER JUN-RAHMEN ARG. |
| 23 | 18090030 | CENTRALINA 1-3GR 120V RL3 | CONTROL UNIT 1-3GR 120V RL3 | CENTR. 1-3GR 120V RL3 | EINHEIT 1-3GR 120V RL3 |
| 23 | 18090031 | CENTRALINA 1-3GR 230V RL3 | CONTROL UNIT 1-3GR 230V RL3 | CENTR. 1-3GR. 230V RL3 | EINHEIT 1-3GR 230V RL3 |
| 24 | 19104 | FUSIBILE OMEGA 5X20 T-10A | FUSE OMEGA 5X20 T-10A | FUSIBLE OMEGA 5X20 T-10A | SCHMELZSICHERUNG OMEGA 5X20 T-10A |
| 25 | 18090016 | CENTRALINA 1>3GR UL ES 230V DOS S | CONTROL UNIT 1>3GR UL ES 230V | CENTR.1>3GR UL ES 230V DOS S | EINHEIT 1>3GR UL ES 230V DOS S |
| 25 | 18090017 | CENTRALINA 1>3GR UL ES 120V DOS S | CONTROL UNIT 1>3GR UL ES 120V DOS S | CENTR.1>3GR UL ES 120V DOS S | EINHEIT 1>3GR UL ES 120V DOS S |
| 25 | 18090028 | CENTRALINA 4GR UL DV/6D 230V DOS S4 | CONTROL UNIT 4GR UL ES 230V DOS S4 | CENTR.4GR UL ES 230V DOS S4 | EINHEIT 4GR UL ES 230V DOS S4 |
| 25 | 18090029 | CENTRALINA 4GR UL DV/6D 120V DOS S4 | CONTROL UNIT 4GR UL ES 120V DOS S4 | CENTR.4GR UL ES 120V DOS S4 | EINHEIT 4GR UL ES 120V DOS S4 |
| 26 | 18077 | CENTRALINA 4GR UL 220V 951438 | GEARCASE MICROP.4GR 220V 950878 | CENTRALE MICROP.4GR 220V 950878 | MIKROP.STEUERUNG 4GR 220V 950878 |
| 26 | 18078 | CENTRALINA 1/2/3GR UL 110V 951408 | GEARCASE MICROP.U.L.110V 951408 | CENTRALE MICROP. U.L.110V 951408 | MIKROP.STEUERUNG U.L.110V 951408 |
| 26 | 18079 | CENTRALINA 1/2/3GR UL 220V 951412 | GEARCASE MICROP. U.L. 220V 951412 | CENTRALE MICROP. U.L. 220V 951412 | MIKROP.STEUERUNG U.L.220V 951412 |
| 27 | 78151 | SUPPORTO CENTRALINA SAE | CONTROL UNIT SUPPORT SAE FRAME A/W | SUPPORT CENTRALE SAE CHASSIS AW | STEUERUNG-HALTER SAE RAHMEN A/W |
| 28 | 22627 | CAVO PULSANTIERA 10 POLI 80CM | 80 CM CABLE FOR P.BUTTON PANEL | CABLE CLAVIER 10 POLES 80 CM | KABEL BEDIENBL. 10 POLIG 80CM |
| 28 | 22628 | CAVO PULSANTIERA 10 POLI 140CM | 140 CM CABLE FOR P.BUTTON PANEL | CABLE CLAVIER 10 POLES 140 CM | KABEL BEDIENBL. 10 POLIG 140CM |
| 29 | 22608 | CAVO PULSANTIERA 2C F. CM90 892909 | TOUCH PAD CABLE 2C F. CM80 891857 | CABLE CLAVIER A TOUCHES 2C F. CM80 | KABEL DER DRUCKKNOPFTAFEL 2CF CM80 |
| 29 | 22609 | CAVO PULSANTIERA 2C F. CM140 891859 | TOUCH PAD CABLE 2C F. CM140 891859 | CABLE CLAVIER A TOUCHES 2C F. CM140 | KABEL DER DRUCKKNOPFTAFEL 2CF CM140 |
| 30 | 19106 | FUSIBILE OMEGA 5X20 T-500MA | FUSE OMEGA 5X20 T-125MA | FUSIBLE OMEGA 5X20 T-125MA | SCHMELZSICHERUNG OMEGA 5X20 T-125MA |



| KIT | |
|-----|------|
| 8 | 2 GR |
| 9 | 3 GR |
| 10 | 4 GR |

| Pos | Cod. | Denominazione - IT - | Denomination - GB - | Denomination - FR - | Denomination - DE - |
|-----|-----------|--|------------------------------------|---------------------------------------|---|
| 1 | 17020 | RESISTENZA 2GR 120V 200W | HEATING ELEMENT 2GR 120V 200W | RESISTANCE 2GR 120V 200W | WIDERSTAND 2GR 120V 200W |
| 1 | 17022 | RESISTENZA 2GR 230V 200W | HEATING ELEMENT 2GR 230V 200W | RESISTANCE 2GR 230V 200W | WIDERSTAND 2GR 230V 200W |
| 1 | 170225 | RESISTENZA 3GR 120V 250W | HEATING ELEMENT 3GR 120V 250W | RESISTANCE 3GR 120V 250W | WIDERSTAND 3GR 120V 250W |
| 1 | 17023 | RESISTENZA 3GR 230V 250W | HEATING ELEMENT 3GR 230V 250W | RESISTANCE 3GR 230V 250W | WIDERSTAND 3GR 230V 250 |
| 1 | 17024 | RESISTENZA 4GR 230V 300W SCTE | HEATING ELEMENT 4GR 230V 300W | RESISTANCE 4GR 230V 300W | HEIZKORPER 4GR 230V 300W |
| 2 | 23402 | VITE TE INOX 4X10 # | STEEL SCREW TE 4X10 | VIS INOX TE 4X10 | STAHLSCHRAUBE TE 4X10 |
| 3 | 23261 | RONDELLA INOX DENTELLATA D4 # | INDENTED STAINLESS WASHER D4 | RONDELLE DENTELEE INOX D 4 | GEZACKTE STAHLSCHEIBE D4 |
| 4 | 227178 | CABLAGGIO SDOPPIATORE USCITA | CABLE CONNECTION | CABLAGE JONCTION | VERDRAHTUNG VERBINDUNG |
| 5 | 22723002 | CABLAGGIO SCALDATAZZE ELETTRICO 2-4GR | ELECTR. CUP HEAT. WIRING 2-4 UNITS | CABLE CHAUFFE-TASSES ELEC. 2-4GR | ELEKTR. VERKABELUNG TASSENWÄRMER 2-4 |
| 6 | 18260 | INTERRUTTORE BIPOLARE LUMINOSO ROSSOB418 | B418C1G210000 LUMINOUS RED BIPOLAR | INTER. BIP. LUMINEUX ROUGE B418C1G210 | ZWEIPOLIGER ROTER LEUCHTSCHALTER B418C1 |
| 7 | 19049 | COPERTURA INTERRUTTORE B4 | SWITCH COVER B4 | PROTECTION INTERRUPTEUR | SCHALTER ABD. B4 |
| 8 | 80123001R | KIT SCALDATAZZE 2GR 230V | ELECTR. CUP HEATING 2GR 230V | CHAUFFE-TASSES ELEC. 2GR 230V | ELEKTR. TASSENWARMER 2GR 230V |
| 9 | 80123003R | KIT SCALDATAZZE 3GR 230V | ELECTR. CUP HEATING 3GR 230V | CHAUFFE-TASSES ELEC. 3GR 230V | ELEKTR. TASSENWARMER 3GR 230V |
| 10 | 80123004R | KIT SCALDATAZZE 4GR 230V | ELECTR. CUP HEATING 4GR 230V | CHAUFFE-TASSES ELEC. 4GR 230V | ELEKTR. TASSENWARMER 4GR 230V |

BESTIMMUNG



| Pos | Cod. | Denominazione - IT - | Denomination - GB - | Denomination - FR - | Denomination - DE - |
|-----|----------|---|---------------------------------------|---|--|
| 1 | 52000166 | TUB.D-12 OT TAGLIATO L.92 1-4GR | CUT BRASS TUBE D-12 1-4 GR | TUBE COUPE' D-12 1-4 GR | ROHR D-12 MESSING GESCHNITTEN L.92 1-4GR |
| 2 | 23560 | VITE TCEI INOX 4X16 | SCREW TCCE S.STEEL 4X16 | VIS TCCE INOX 4X16 | STAHLSCHRAUBE TCCE 4X16 |
| 3 | 18150 | ELETTRORVALVOLA GRUPPO 110V 50-60HZ | GROUP SOLENOID VALVE 110/50-60 | ELECTROVANNE GROUPE 110/50-60 | GRUPPENMAGNETVENTIL 110/50-60 |
| 3 | 18151 | ELETTRORVALVOLA GRUPPO 220/240V 50-60HZ | GROUP SOLENOID VALVE 220/240 50-60 | ELECTROVANNE GROUPE 220/240 50-60 | GRUPPENMAGNETVENTIL 220/240 50-60 |
| 3 | 18161996 | ELETTRORVALVOLA GRUPPO 230V UL/ETL | GRP.SOL.VALVE VE128IRA5 230V UL/ETL | ELECTROVAN. GR.VE128IRA.5 ZB09 230V | ELEKTR.EINHEIT VE128IRA.5 ZB09 230V UR E |
| 3 | 18161997 | ELETTRORVALVOLA GRUPPO 115V UL/ETL | GRP.SOL.VALVE VE 128IRA.5 115V UR ETL | ELEC.VANNE GR.VE128IRA.5 115V UR ETL | GRUPPEVENTIL VE128IRA.5 115V UR ETL |
| 4 | 12305 | GUARNIZIONE OR 105 GR.ELETT.VITON | O RING SEAL 105 GREEN VITON SOLENOI | JOINT OR 105 GR. ELECT. VITON VERT 70SH | O-RINGDICHT. 105 EKELTR. EINHEIT VITON G |
| 5 | 12002 | GUARNIZIONE TEFLON VERGINE X GRUPPO | GROUP TEFLON GASKET 89X40X2 | JOINT DE GROUPE TEFLON 89X40X2 | TEFLON GRUPPENDICHTUNG 89X40X2 |
| 6 | 25780 | TAPPO MASCHIO OTTONE 1/4 | BRASS MALE CAP 1/4 | BOUCHON MALE LAITON 1/4 | MESSING-STOPFEN 1/4 |
| 7 | 25789 | TAPPO GRUPPO EROGAZIONE | DISTRIBUTION GROUP CAP | BOUCHON GROUPE DEBIT | STOPFEN DER ABGABEGRUPPE |
| 8 | 12303 | GUARNIZIONE OR 119 VITON TAPPO GRUPPO | CAP O RING GASKET 119 | JOINT OR 119 POUR BOUCHON | OR DICHTUNG FUR STOPFEN 119 |
| 9 | 10252 | FILTRO PER GRUPPO 10.5X13.5X11 | GROUP FILTER 10.5X13.5X11 | FILTRE POUR GROUPE 10.5X13.5X11 | GRUPPENFILTER 10.5X13.5X11 |
| 10 | 10300 | GIGLER OTT. X GRUPPO D 0.8 | BRASS GROUP JET D.0.8 | GICLEUR LAITON POUR GROUPE D.0.8 | VERMESSINGTE GRUPPEDUSE D 0.8 |
| 10 | 10300A | GIGLER OTT. X GRUPPO D 0.6 | BRASS UNIT FOR JET D 0.6 | GIGLEUR LAITON POUR GROUPE D 0.6 | VERMESSINGTE GRUPPENDÜSE D 0.6 |
| 11 | 23552 | VITE TCEI INOX 5X10 | STEEL SCREW TCCE 5X10 | VIS INOX TCCE 5X10 | STAHLSCHRAUBE TCCE 5X10 |
| 12 | 25368 | CORPO GRUPPO EROGAZIONE | DISTRIBUTION GROUP BODY | CORPS GROUPE DEBIT | KORPER DER ABGABEGRUPPE |
| 13 | 12155 | GUARNIZIONE CU 8.5X5X1 | COPPER GASKET 8.5X5X1 | JOINT CU 8.5X5X1 | CU DICHTUNG 8.5X5X1 |
| 14 | 12304 | GUARNIZIONE OR 4187 GRUP.ER VITON | DISTRIBUTION GR. O RING GASKET 4187 | JOINT OR4187 GR DEBIT MC/482 | OR DICHTUNG FUR AUSGABEGRUPPE 4187 |
| 15 | 25250 | ANELLO AGGANCIATORE CROMATO | CHROMED CLAMPING RING | SABOT CHROME | CHROM GRUPPENRING |
| 16 | 12215 | GUARNIZ. GOMMA S.COPPA 72X56X8.5 MAGG | LARGER SIZED FILTER SUPPORT RUBBER | JOINT CAOUTCHOUC SOUCOUBE 72X56X8.5 | FILTERHALTER-GUMMIDICHTUNG 72X56X8 GROSS |
| 16 | 12217 | GUARNIZ. GOMMA S.COPPA 72X56X8 NORMAL | STANDARD SIZE FILTER SUPPORT RUBBER | JOINT CAOUTCHOUC SOUCOUBE 72X56X8 N | FILTERHALTER-GUMMIDICHTUNG 72X56X8 NORMA |
| 17 | 25627 | PORTADOCCECTTA GRUPPO EROGAZIONE | WATER SPOUT UNIT SUPPORT | PORTE-DOUCHETTE GROUPE DISTRIBUTION | DUSCHTRÄGER VERSORGUNGSEINHEIT |
| 18 | 27100 | DOCCECTTA GRUPPO ER 51.9 | GROUP SHOWER PLATE 51.9 | DOUCHETTE GROUPE ER 51.9 | DUSCHE VERTEILEREINHEIT 51.9 |
| 19 | 23510 | VITE TPS INOX 5X14 TAGLIO CACC. | 5X14 STAINLESS STEEL FLATHEAD SCREW | VIS TPS INOX 5X14 DE TOURNEVIS | SCHRAUBE TPS ROSTFREI5X14 SCHRAUBEN |
| 20 | 56053 | GRUPPO SC.CART.110/60 | UNIT DISTRIBUTION GROUP 110/60 | ENSEMBLE GROUPE 110/60 | SATZ-ABGABEGRUPPE 110/60 |
| 20 | 56054 | GRUPPO SC.CART.230V 50-60HZ | UNIT DISTRIBUTION GROUP 220-240/50-60 | ENSEMBLE GROUPE 220-240/50-60 | SATZ-ABGABEGRUPPE 220-240/50-60 |
| 20 | 56059 | GRUPPO SC.CART.120/60 *UL* | UNIT DISTRIBUTION GROUP 120/60 *UL* | ENSEMBLE GROUPE 120/60 *UL* | SATZ-ABGABEGRUPPE 120/60 *UL* |
| 20 | 56060 | GRUPPO SC.CART.230/60 *UL* | UNIT DISTRIBUTION GROUP 230/60 *UL* | ENSEMBLE GROUPE 230/60 *UL* | SATZ-ABGABEGRUPPE 230/60 *UL* |

INDICE - INDEX - SOMMAIRE - VERZEICHNIS

ICA-01

Impianto idraulico scambiatore **CARTUCCIA**
Hydraulic circuit cartridge heating **EXCHANGER**
Circuit hydraulique échangeur **CARTOUCHE**
Wasser-anlage **EINSATZ AUSTAUSCHER**

AEP/AEAP - SMSA/SMAT JUN-1GR

ICA-02

Impianto idraulico scambiatore **CARTUCCIA**
Hydraulic circuit cartridge heating **EXCHANGER**
Circuit hydraulique échangeur **CARTOUCHE**
Wasser-anlage **EINSATZ AUSTAUSCHER**

AEP/AEAP - SMSA/SMAT 2-3-4GR

ICA-03

Impianto idraulico scambiatore **CARTUCCIA**
Hydraulic circuit cartridge heating **EXCHANGER**
Circuit hydraulique échangeur **CARTOUCHE**
Wasser-anlage **EINSATZ AUSTAUSCHER**

SAE - SME JUN-1GR

ICA-04

Impianto idraulico scambiatore **CARTUCCIA**
Hydraulic circuit cartridge heating **EXCHANGER**
Circuit hydraulique échangeur **CARTOUCHE**
Wasser-anlage **EINSATZ AUSTAUSCHER**

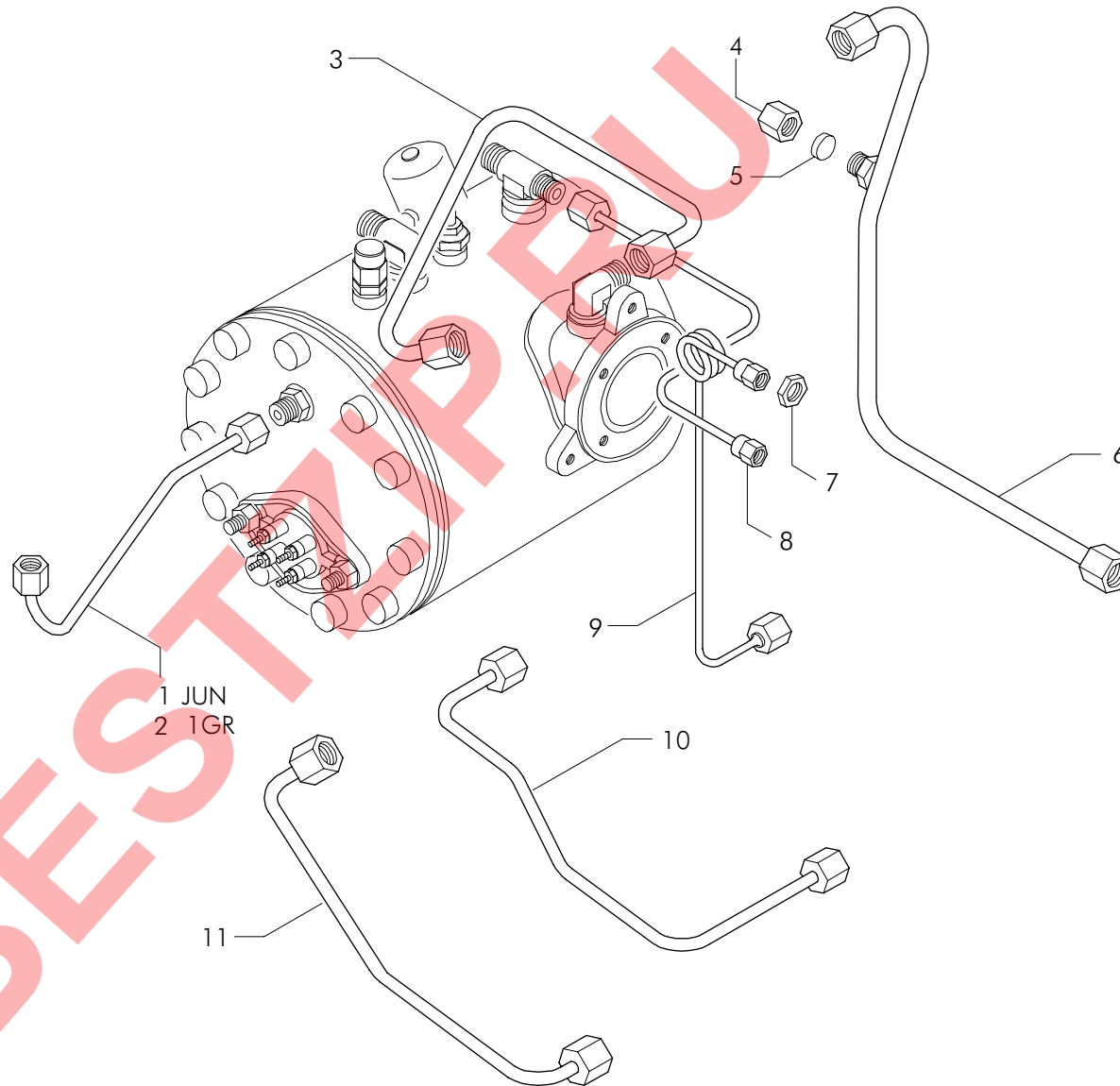
SAE - SME 2-3-4GR

*Impianto idraulico
scambiatore*
CARTUCCIA

*Hydraulic circuit
cartridge heating*
EXCHANGER

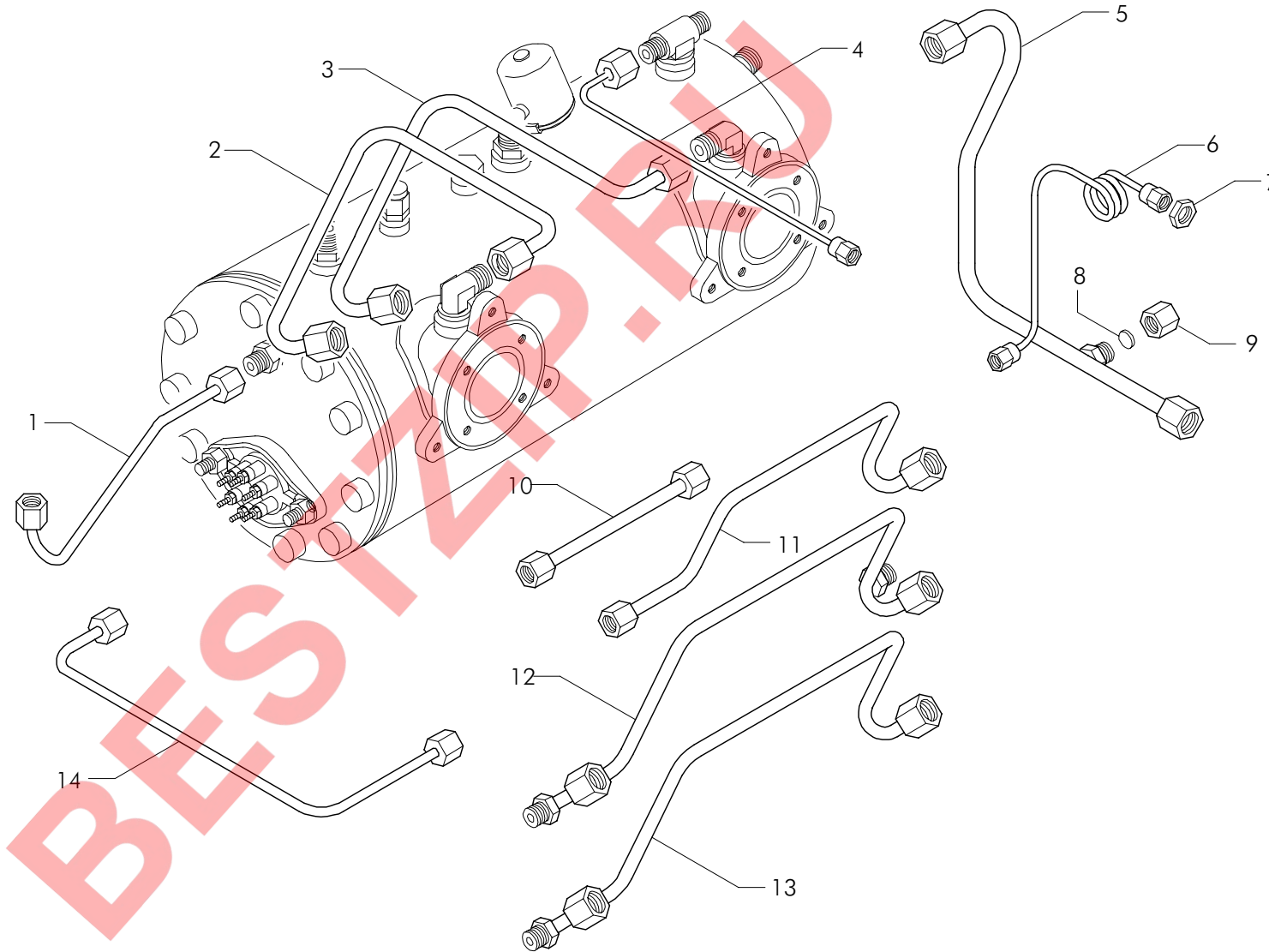
*Circuit hydraulique
échangeur*
CARTOUCHE

Wasser-anlage
**EINSATZ
AUSTAUSCHER**



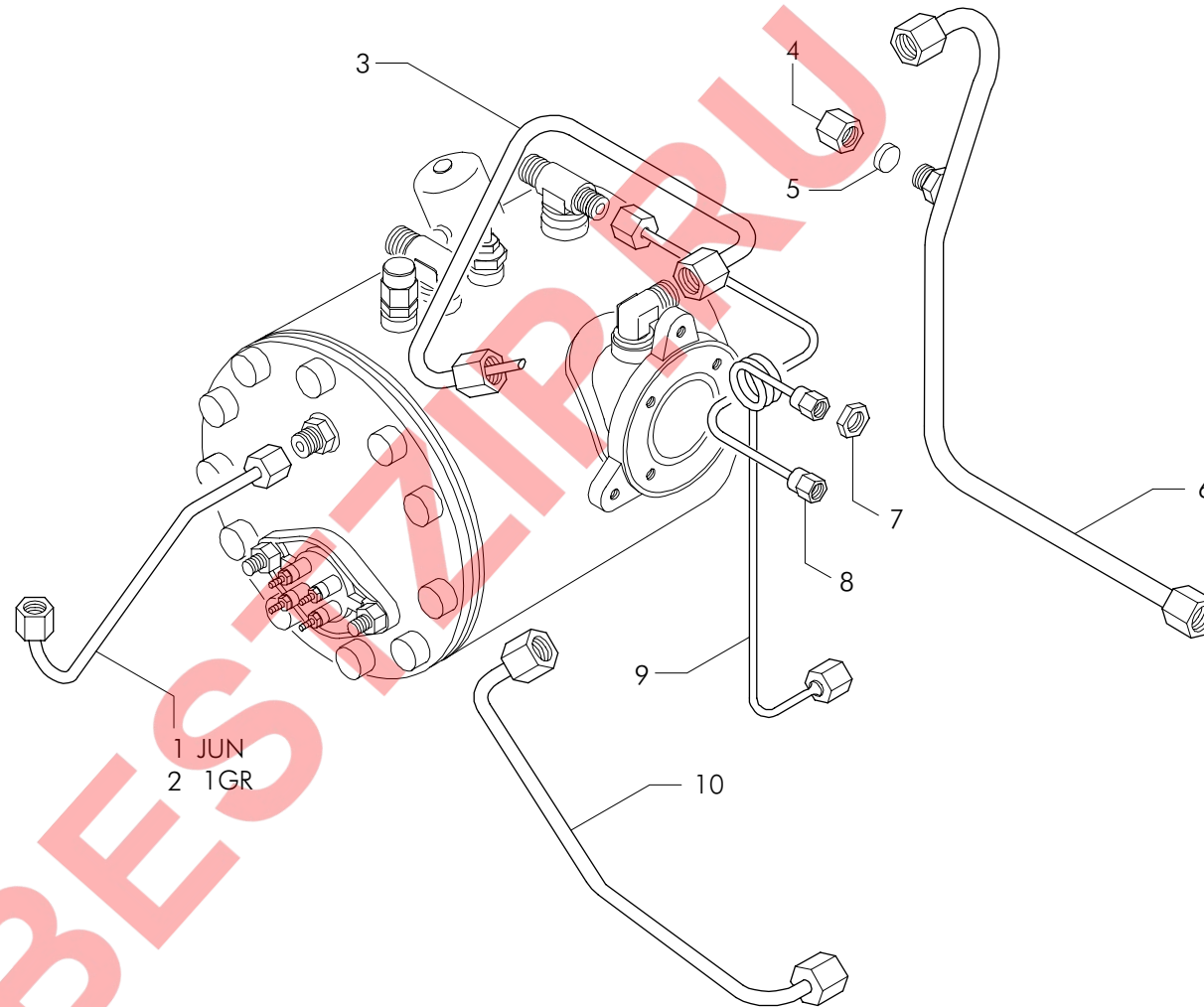
| Pos | Cod. | Denominazione - IT - | Denomination - GB - | Denomination - FR - | Denomination - DE - |
|-----|----------|-----------------------------------|--------------------------------|-----------------------------------|-----------------------------------|
| 1 | 52001409 | TUB.D-6 L.320 JUN AR 12 CALDAIA | TUBE D-6 L.320 | TUYAU D-6 L.320 | ROHR D-6 L.320 |
| 2 | 52001107 | TUB.D-6 L.300 2-3GR LD N. UL 8 | TUBE D-6 L.300 2-3GR LD N. UL8 | TUYAU D-6 L.300 2-3GR LD N. UL8 | ROHR D-6 L.300 2-3GR LD N. UL8 |
| 3 | 52000163 | TUB.D-8 L.415 1GR S 22/A | TUBE D-8 L.415 1GR S 22/A | TUYAU D-8 L.415 1GR A 22/A | ROHR D-8 L.415 1GR A 22/A |
| 4 | 25782 | TAPPO FEMMINA 1/4 GAS | 1/4 GAS FEMALE TAP | BOUCHON FEMELLE 1/4 GAZ | INNENANSCHLUSSSTÖPSEL 1/4 GAS |
| 5 | 12007 | GUARNIZIONE KLINGERSIL4400 | KLINGERSIL4400 COPPER SEAL | JOINT KLINGERSIL4400 POUR BOUCHON | DICHTUNG KLINGER SIL4400 X DECKEL |
| 6 | 52001299 | TBS.D-10 L.490 1-4GR LD 1CR POMPA | TUBE D-10 L. 490 1-4GR LD 1CR | TUYAU D-10 L.490 1-4GR LD 1CR | ROHR D-10 L.490 1-4GR LD 1CR |
| 7 | 25395 | DADO 1/8 MANOMETRO | 1/8 NUT GAUGE | ECROU 1/8 MANOMETRE | MUTTER 1/8 MANOMETER |
| 8 | 52001405 | TUB.D-6 L.315 JUN AR 6 CALDAIA | TUBE D-6 L.315 | TUYAU D-6 L.315 | ROHR D-6 L.315 |
| 8 | 52001433 | TBS.D-4 L.310 2-3GR CTS AR 56 | TUBE D-4 L.310 | TUYAU D-4 L.310 | ROHR D-4 L.310 |
| 9 | 52000110 | TBS.D-4 L.730 1-4GR A 44 | TUBE D-4 L.730 1-4 GR A 44 | TUYAU D-4 L.730 1-4GR A 44 | ROHR D-4 L.730 1-4GR A 44 |
| 10 | 52001494 | TBS.D-8 L.535 AR 113 | TUBE D-8 L.485 | TUYAU D-8 L.485 | ROHR D-8 L.485 |
| 11 | 52001494 | TBS.D-8 L.535 AR 113 | TUBE D-8 L.485 | TUYAU D-8 L.485 | ROHR D-8 L.485 |

BESTZIPP



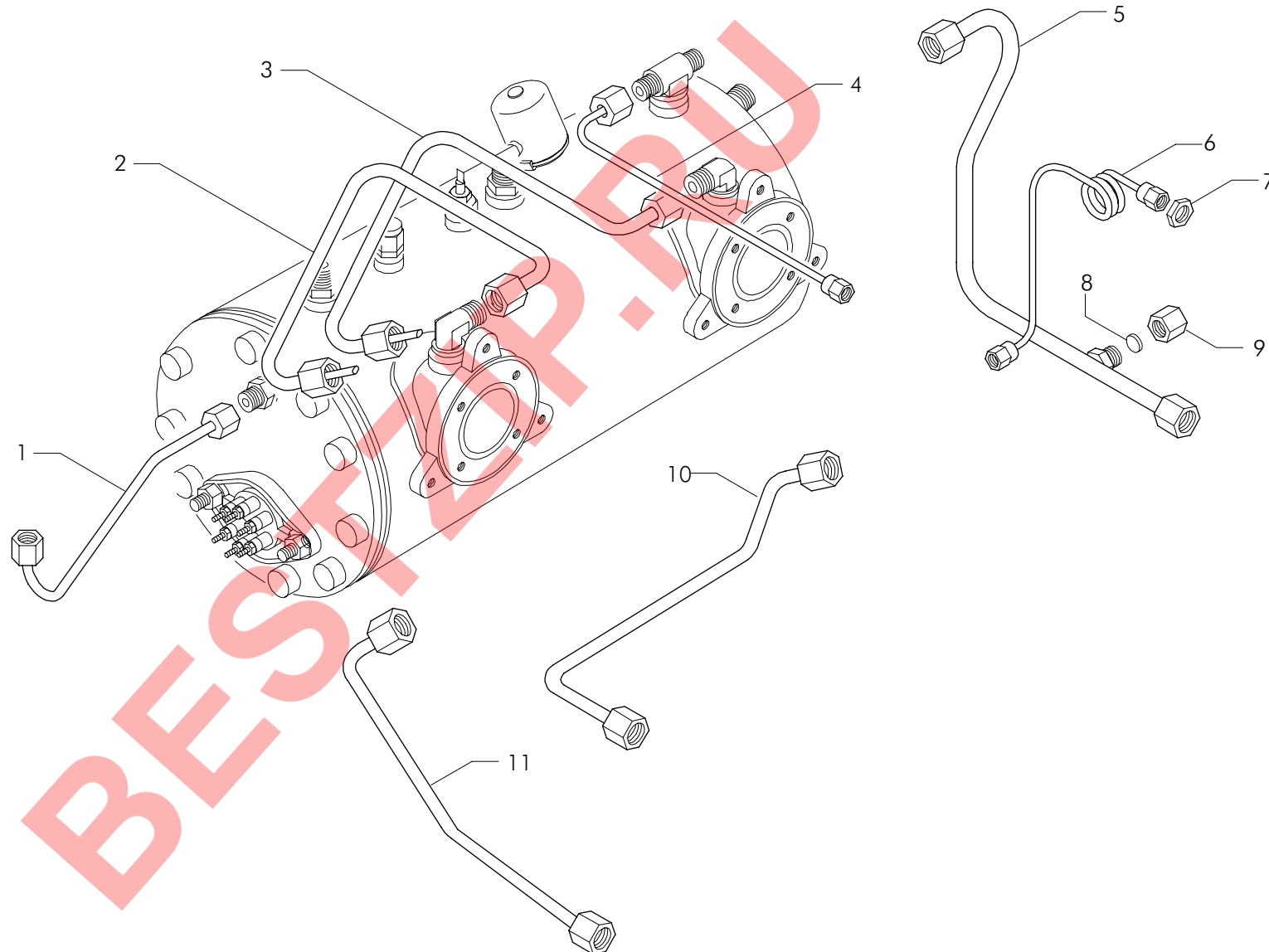
| Pos | Cod. | Denominazione - IT - | Denomination - GB - | Denomination - FR - | Denomination - DE - |
|-----|----------|------------------------------------|--------------------------------|-----------------------------------|-----------------------------------|
| 1 | 52001107 | TUB.D-6 L.300 2-3GR LD N. UL 8 | TUBE D-6 L.300 2-3GR LD N. UL8 | TUYAU D-6 L.300 2-3GR LD N. UL8 | ROHR D-6 L.300 2-3GR LD N. UL8 |
| 2 | 52000163 | TUB.D-8 L.415 1GR S 22/A | TUBE D-8 L.415 1GR S 22/A | TUYAU D-8 L.415 1GR A 22/A | ROHR D-8 L.415 1GR A 22/A |
| 2 | 52000165 | TUB.D-8 L.450 2GR S 17/A | TUBE D-8 L.450 2GR S 17/A | TUYAU D-8 L.450 2GR S 17/A | ROHR D-8 L.450 2GR S 17/A |
| 3 | 52000164 | TUB.D-8 L.440 2GR S 16/A | TUBE D-8 L.440 2GR S 16/A | TUYAU D-8 L.440 2GR A 16/A | ROHR D-8 L.440 2GR S 16/A |
| 4 | 52001433 | TBS.D-4 L.310 2-3GR CTS AR 56 | TUBE D-4 L.310 | TUYAU D-4 L.310 | ROHR D-4 L.310 |
| 5 | 52001440 | TBS.D-10 L.490 2GR AR 63 POMPA | TUBE D-10 L.490 2GR | TUYAU D-10 L.490 2GR | ROHR D-10 L.490 2GR |
| 6 | 52000110 | TBS.D-4 L.730 1-4GR A 44 | TUBE D-4 L.730 1-4 GR A 44 | TUYAU D-4 L.730 1-4GR A 44 | ROHR D-4 L.730 1-4GR A 44 |
| 7 | 25395 | DADO 1/8 MANOMETRO | 1/8 NUT GAUGE | ECROU 1/8 MANOMETRE | MUTTER 1/8 MANOMETER |
| 8 | 12007 | GUARNIZIONE KLINGERSIL4400 | KLINGERSIL4400 COPPER SEAL | JOINT KLINGERSIL4400 POUR BOUCHON | DICHTUNG KLINGER SIL4400 X DECKEL |
| 9 | 25782 | TAPPO FEMMINA 1/4 GAS | 1/4 GAS FEMALE TAP | BOUCHON FEMELLE 1/4 GAZ | INNENANSCHLUSSSTÖPSEL 1/4 GAS |
| 10 | 52000050 | TBS.D-8 L.130 4GR A 14/Q 2 | TUBE D-8 L.130 4GR A 14/Q | TUYAU D-8 L.130 4GR A 14/Q | ROHR D-8 L.130 4GR A 14/Q |
| 11 | 52000049 | TBS.D-8 L.255 3GR A 14/P 2 | TUBE D-8 L.255 3GR A 14/P | TUYAU D-8 L.255 3GR A 14/P | ROHR D-8 L.255 3GR A 14/P |
| 12 | 52000048 | TBS.D-8 L.550 2GR A 14/O CR | TUBE D-8 L.400 2GR A 14/O CR | TUYAU D-8 L.400 2GR A 14/O CR | ROHR D-8 L.400 2GR A 14/O CR |
| 13 | 52000047 | TBS.D-8 L.550 2GR A 14/O SCAMBIAT. | TUBE D-8 L.400 2GR A 14/O | TUYAU D-8 L.400 2GR A 14/O | ROHR D-8 L.400 2GR A 14/O |
| 14 | 52001444 | TBS.D-8 L.435 2GR AEP AR 67 SCNR | TUBE D-8 L.435 2GR AEP AR67 | TUYAU D-8 L.435 2GR AEP AR67 | ROHR D-8 L.435 2GR AEP AR67 |
| 14 | 52001459 | TBS.D-8 L.730 3GR AEP AR 80 SCNR | TUBE D-8 L.730 3GR AEP AR80 | TUYAU D-8 L.730 3GR AEP AR80 | ROHR D-8 L.730 3GR AEP AR80 |
| 14 | 52001468 | TBS.D-8 L.960 4GR AEP AR 89 SCNR | TUBE D-8 L.960 4GR AEP AR89 | TUYAU D-8 L.960 4GR AEP AE89 | ROHR D-8 L.960 4GR AEP AR89 |

BESTMART



| Pos | Cod. | Denominazione - IT - | Denomination - GB - | Denomination - FR - | Denomination - DE - |
|-----|----------|-----------------------------------|--------------------------------|-----------------------------------|-----------------------------------|
| 1 | 52001409 | TUB.D-6 L.320 JUN AR 12 CALDAIA | TUBE D-6 L.320 | TUYAU D-6 L.320 | ROHR D-6 L.320 |
| 2 | 52001107 | TUB.D-6 L.300 2-3GR LD N. UL 8 | TUBE D-6 L.300 2-3GR LD N. UL8 | TUYAU D-6 L.300 2-3GR LD N. UL8 | ROHR D-6 L.300 2-3GR LD N. UL8 |
| 3 | 52000181 | TUB.D-8 L.415 1GR S 22/AR | TUBE D-8 L.415 1GR S22/AR | TUYAU D-8 L.415 1GR S22/AR | ROHR D-8 L.415 1GR S22/AR |
| 4 | 25782 | TAPPO FEMMINA 1/4 GAS | 1/4 GAS FEMALE TAP | BOUCHON FEMELLE 1/4 GAZ | INNENANSCHLUSSSTÖPSEL 1/4 GAS |
| 5 | 12007 | GUARNIZIONE KLINGERSIL4400 | KLINGERSIL4400 COPPER SEAL | JOINT KLINGERSIL4400 POUR BOUCHON | DICHTUNG KLINGER SIL4400 X DECKEL |
| 6 | 52001299 | TBS.D-10 L.490 1-4GR LD 1CR POMPA | TUBE D-10 L. 490 1-4GR LD 1CR | TUYAU D-10 L.490 1-4GR LD 1CR | ROHR D-10 L.490 1-4GR LD 1CR |
| 7 | 25395 | DADO 1/8 MANOMETRO | 1/8 NUT GAUGE | ECROU 1/8 MANOMETRE | MUTTER 1/8 MANOMETER |
| 8 | 52001405 | TUB.D-6 L.315 JUN AR 6 CALDAIA | TUBE D-6 L.315 | TUYAU D-6 L.315 | ROHR D-6 L.315 |
| 8 | 52001433 | TBS.D-4 L.310 2-3GR CTS AR 56 | TUBE D-4 L.310 | TUYAU D-4 L.310 | ROHR D-4 L.310 |
| 9 | 52000110 | TBS.D-4 L.730 1-4GR A 44 | TUBE D-4 L.730 1-4 GR A 44 | TUYAU D-4 L.730 1-4GR A 44 | ROHR D-4 L.730 1-4GR A 44 |
| 10 | 52001451 | TBS.D-8 L.385 1GR SAE AR 73 | TUBE D-8 L.385 1GR SAE AR73 | TUYAU D-8 L.385 1GR AR73 | ROHR D-8 L.385 1GR SAE AR73 |
| 10 | 52001495 | TBS.D-8 L.355 AR 114 | TUBE D-8 L.485 | TUYAU D-8 L.485 | ROHR D-8 L.485 |

BESTZIPP



| Pos | Cod. | Denominazione - IT - | Denomination - GB - | Denomination - FR - | Denomination - DE - |
|-----|----------|--------------------------------|--------------------------------|-----------------------------------|-----------------------------------|
| 1 | 52001107 | TUB.D-6 L.300 2-3GR LD N. UL 8 | TUBE D-6 L.300 2-3GR LD N. UL8 | TUYAU D-6 L.300 2-3GR LD N. UL8 | ROHR D-6 L.300 2-3GR LD N. UL8 |
| 2 | 52000181 | TUB.D-8 L.415 1GR S 22/AR | TUBE D-8 L.415 1GR S22/AR | TUYAU D-8 L.415 1GR S22/AR | ROHR D-8 L.415 1GR S22/AR |
| 2 | 52000183 | TUB.D-8 L.450 2GR S 17/AR | TUBE D-8 L.450 2GR S17/AR | TUYAU D-8 L.450 2GR S17/AR | ROHR D-8 L.450 2GR S17/AR |
| 3 | 52000182 | TUB.D-8 L.440 2GR S 16/AR | TUBE D-8 L.440 2GR S16/AR | TUYAU D-8 L.440 2GR S16/AR | ROHR D-8 L.440 2GR S16/AR |
| 4 | 52001433 | TBS.D-4 L.310 2-3GR CTS AR 56 | TUBE D-4 L.310 | TUYAU D-4 L.310 | ROHR D-4 L.310 |
| 5 | 52001440 | TBS.D-10 L.490 2GR AR 63 POMPA | TUBE D-10 L.490 2GR | TUYAU D-10 L.490 2GR | ROHR D-10 L.490 2GR |
| 6 | 52000110 | TBS.D-4 L.730 1-4GR A 44 | TUBE D-4 L.730 1-4 GR A 44 | TUYAU D-4 L.730 1-4GR A 44 | ROHR D-4 L.730 1-4GR A 44 |
| 7 | 25395 | DADO 1/8 MANOMETRO | 1/8 NUT GAUGE | ECROU 1/8 MANOMETRE | MUTTER 1/8 MANOMETER |
| 8 | 12007 | GUARNIZIONE KLINGERSIL4400 | KLINGERSIL4400 COPPER SEAL | JOINT KLINGERSIL4400 POUR BOUCHON | DICHTUNG KLINGER SIL4400 X DECKEL |
| 9 | 25782 | TAPPO FEMMINA 1/4 GAS | 1/4 GAS FEMALE TAP | BOUCHON FEMELLE 1/4 GAZ | INNENANSCHLUSSSTÖPSEL 1/4 GAS |
| 10 | 52001441 | TBS.D-8 L.580 2GR SAE AR 64 | TUBE D-8 L.580 2GR SAE AR64 | TUYAU D-8 L.580 2GR SAE AR64 | ROHR D-8 L.580 2GR SAE AR64 |
| 10 | 52001457 | TBS.D-8 L.715 3GR SAE AR 78 | TUBE D-8 L.715 3GR SAE AR78 | TUYAU D-8 L.715 3GR SAE AR78 | ROHR D-8 L.715 3GR SAE AR78 |
| 10 | 52001465 | TBS.D-8 L.650 4GR SAE AR 86 | TUBE D-8 L.650 4GR SAE AR86 | TUYAU D-8 L.650 4GR SAE AR86 | ROHR D-8 L.650 4GR SAE AR86 |
| 11 | 52001464 | TBS.D-8 L.420 4GR SAE AR 85 | TUBE D-8 L.420 4GR SAE AR85 | TUYAU D-8 L.420 4GR SAE AR85 | ROHR D-8 L.420 4GR SAE AR85 |

BESTMINDER

INDICE - INDEX - SOMMAIRE - VERZEICHNIS

rev.

ICA-01

Impianto idraulico scambiatore a **CARTUCCIA**
 Hydraulic circuit cartridge heating **EXCHANGER**
 Circuit hydraulique échangeur **CARTOUCHE**
 Wasser-anlage **EINSATZ AUSTAUSCHER**

AEP/AEAP
SMSA/SMAT

JUN - 1GR

01
06/2004

ICA-02

Impianto idraulico scambiatore a **CARTUCCIA**
 Hydraulic circuit cartridge heating **EXCHANGER**
 Circuit hydraulique échangeur **CARTOUCHE**
 Wasser-anlage **EINSATZ AUSTAUSCHER**

AEP/AEAP
SMSA/SMAT

2-3-4 GR

01
06/2004

ICA-03

Impianto idraulico scambiatore a **CARTUCCIA**
 Hydraulic circuit cartridge heating **EXCHANGER**
 Circuit hydraulique échangeur **CARTOUCHE**
 Wasser-anlage **EINSATZ AUSTAUSCHER**

SAE
SME

JUN - 1GR

01
06/2004

ICA-04

Impianto idraulico scambiatore a **CARTUCCIA**
 Hydraulic circuit cartridge heating **EXCHANGER**
 Circuit hydraulique échangeur **CARTOUCHE**
 Wasser-anlage **EINSATZ AUSTAUSCHER**

SAE
SME

2-3-4 GR

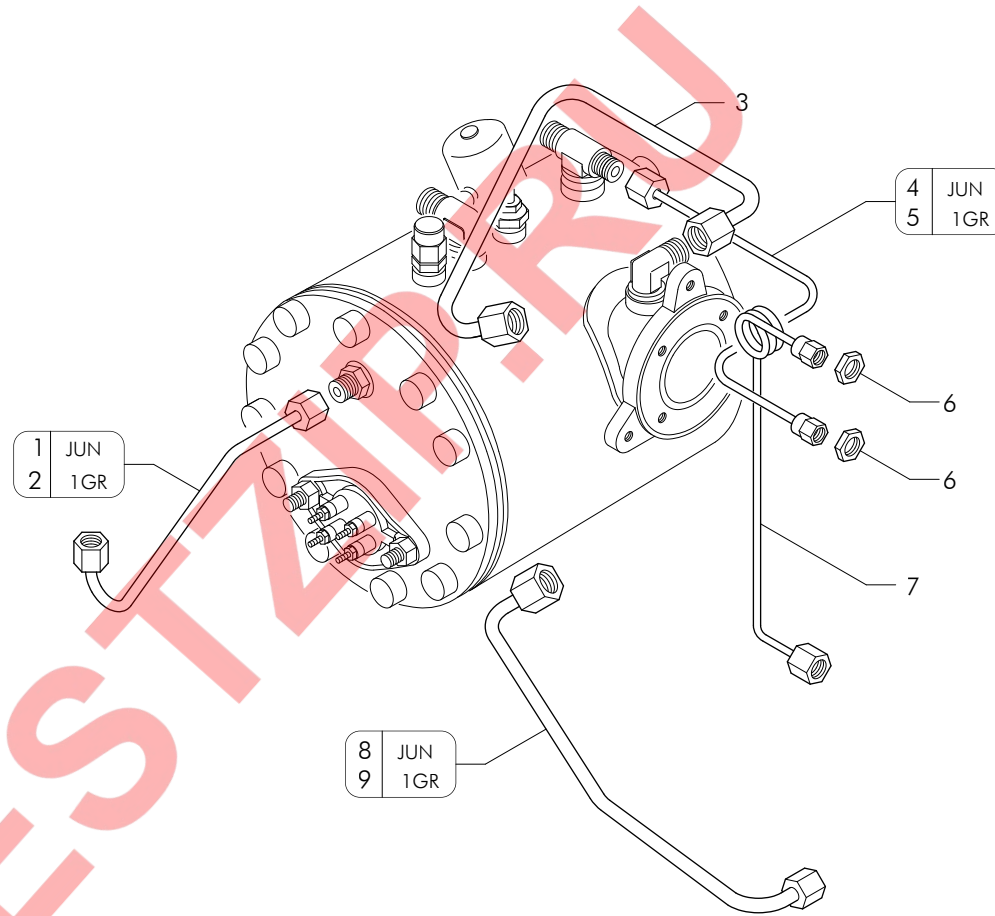
01
06/2004

Impianto idraulico
CARTUCCIA

Hydraulic circuit
 cartridge heating
EXCHANGER

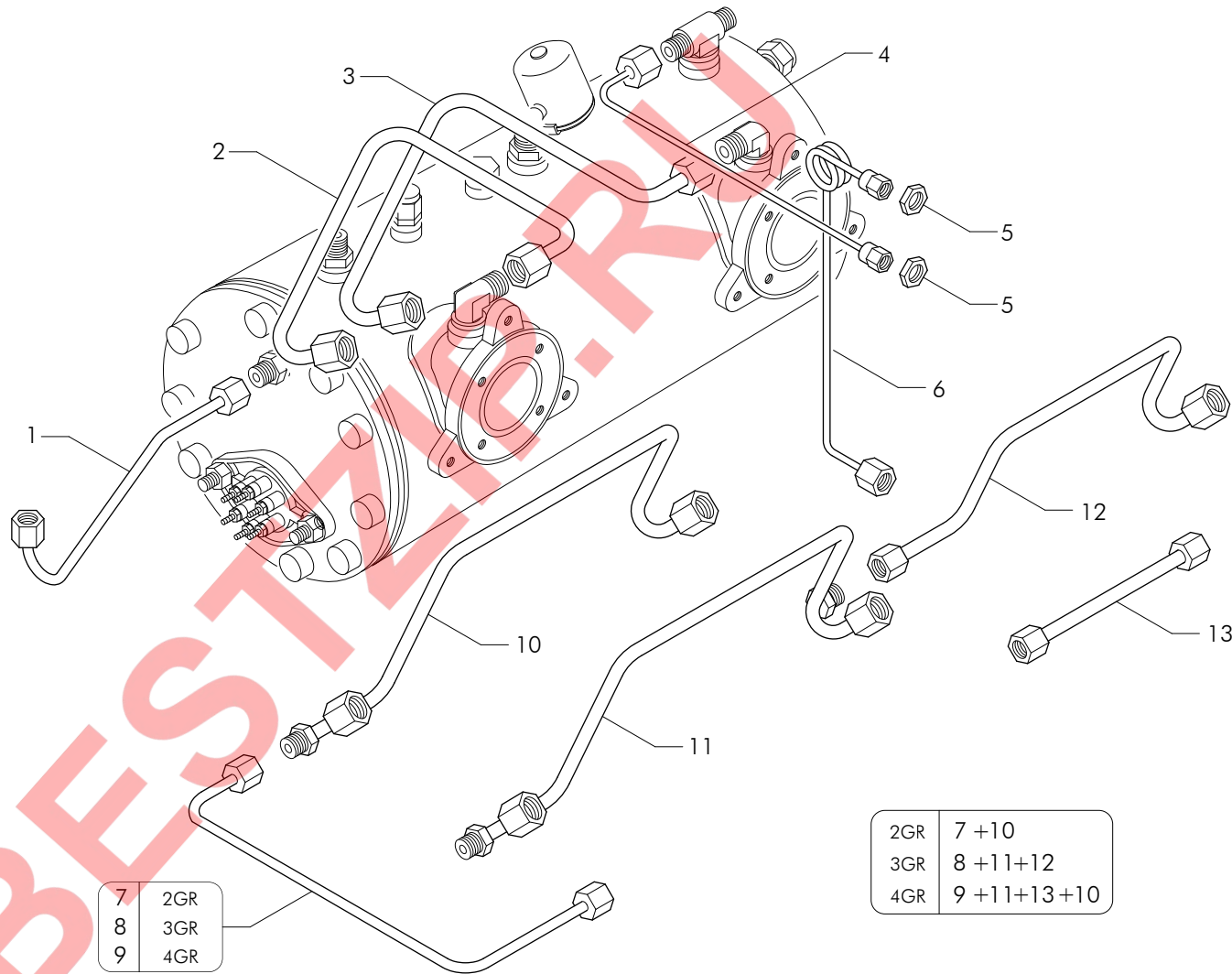
Circuit hydraulique
 échangeur
CARTOUCHE

Wasser-anlage
EINSATZ
AUSTAUSCHER



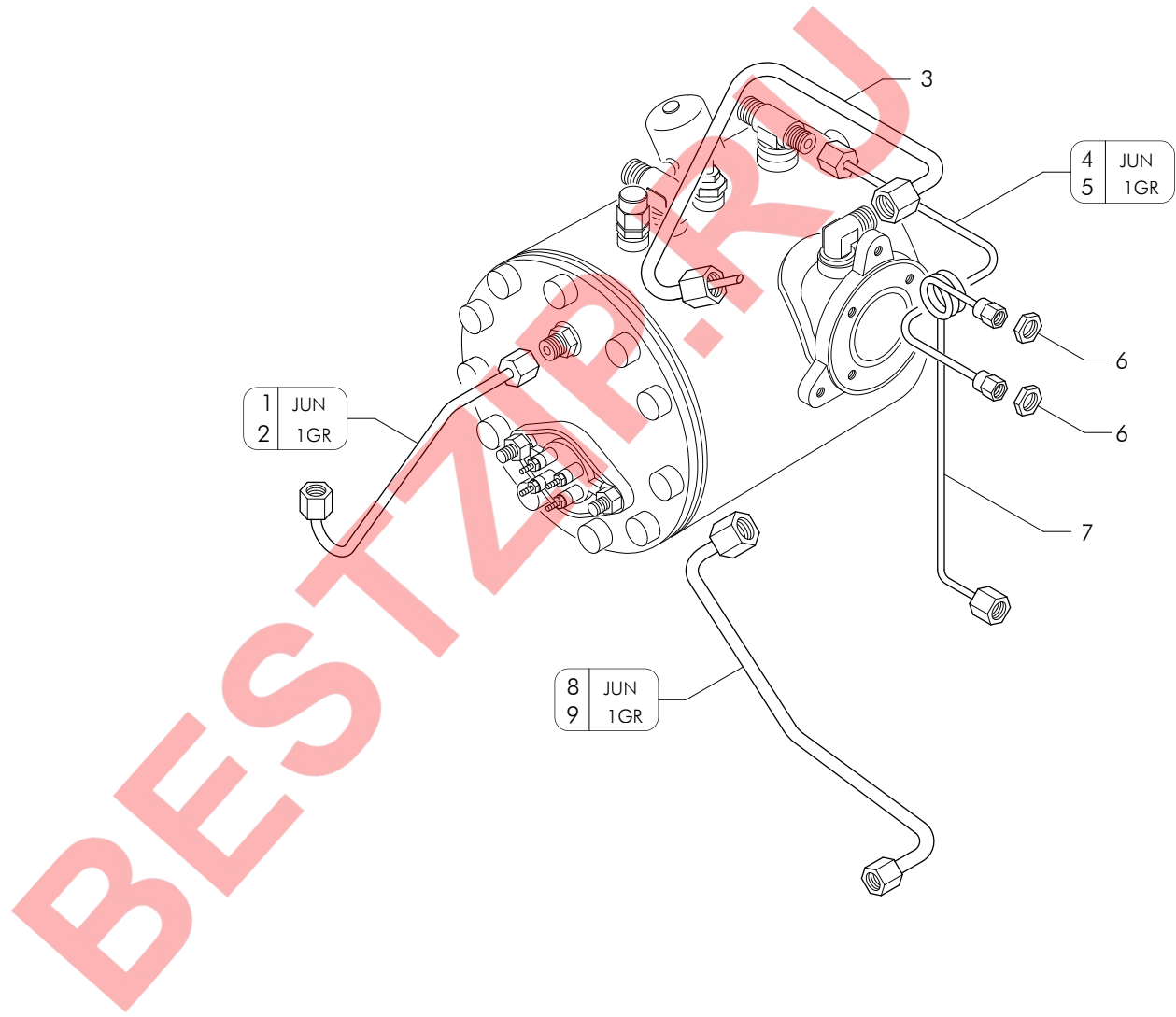
| Pos | Cod. | Denominazione - IT - | Denomination - GB - | Denomination - FR - | Denomination - DE - |
|-----|----------|---------------------------------------|--------------------------------|---------------------------------|--------------------------------|
| 1 | 52001409 | TUB.D-6 L.320 JUN AR 12 CALDAIA | TUBE D-6 L.320 | TUYAU D-6 L.320 | ROHR D-6 L.320 |
| 2 | 52001107 | TUB.D-6 L.300 2-3GR LD N. UL 8 CALD | TUBE D-6 L.300 2-3GR LD N. UL8 | TUYAU D-6 L.300 2-3GR LD N. UL8 | ROHR D-6 L.300 2-3GR LD N. UL8 |
| 3 | 52000163 | TUB.D-8 L.415 1GR S 22/A SCAMBIATORE | TUBE D-8 L.415 1GR S 22/A | TUYAU D-8 L.415 1GR A 22/A | ROHR D-8 L.415 1GR A 22/A |
| 4 | 52001405 | TUB.D-6 L.315 JUN AR 6 CALDAIA > MAN | TUBE D-6 L.315 | TUYAU D-6 L.315 | ROHR D-6 L.315 |
| 5 | 52001433 | TBS.D-4 L.310 2-3GR CTS AR 56 CALD | TUBE D-4 L.310 | TUYAU D-4 L.310 | ROHR D-4 L.310 |
| 6 | 25395 | DADO 1/8 MANOMETRO | 1/8 NUT GAUGE | ECROU 1/8 MANOMETRE | MUTTER 1/8 MANOMETER |
| 7 | 52000110 | TBS.D-4 L.730 1-4GR A 44 | TUBE D-4 L.730 1-4 GR A 44 | TUYAU D-4 L.730 1-4GR A 44 | ROHR D-4 L.730 1-4GR A 44 |
| 8 | 52001494 | TBS.D-8 L.535 AR 113 | TUBE D-8 L.485 | TUYAU D-8 L.485 | ROHR D-8 L.485 |
| 9 | 52001452 | TBS.D-8 L.485 1GR AEP AR 74 SCNR REG. | TUBE D-8 L.485 1GR AEP AR74 | TUYAU D-8 L.485 1GR AEP AR74 | ROHR D-8 L.485 1GR AEP AR74 |

BESTZIP.RIP



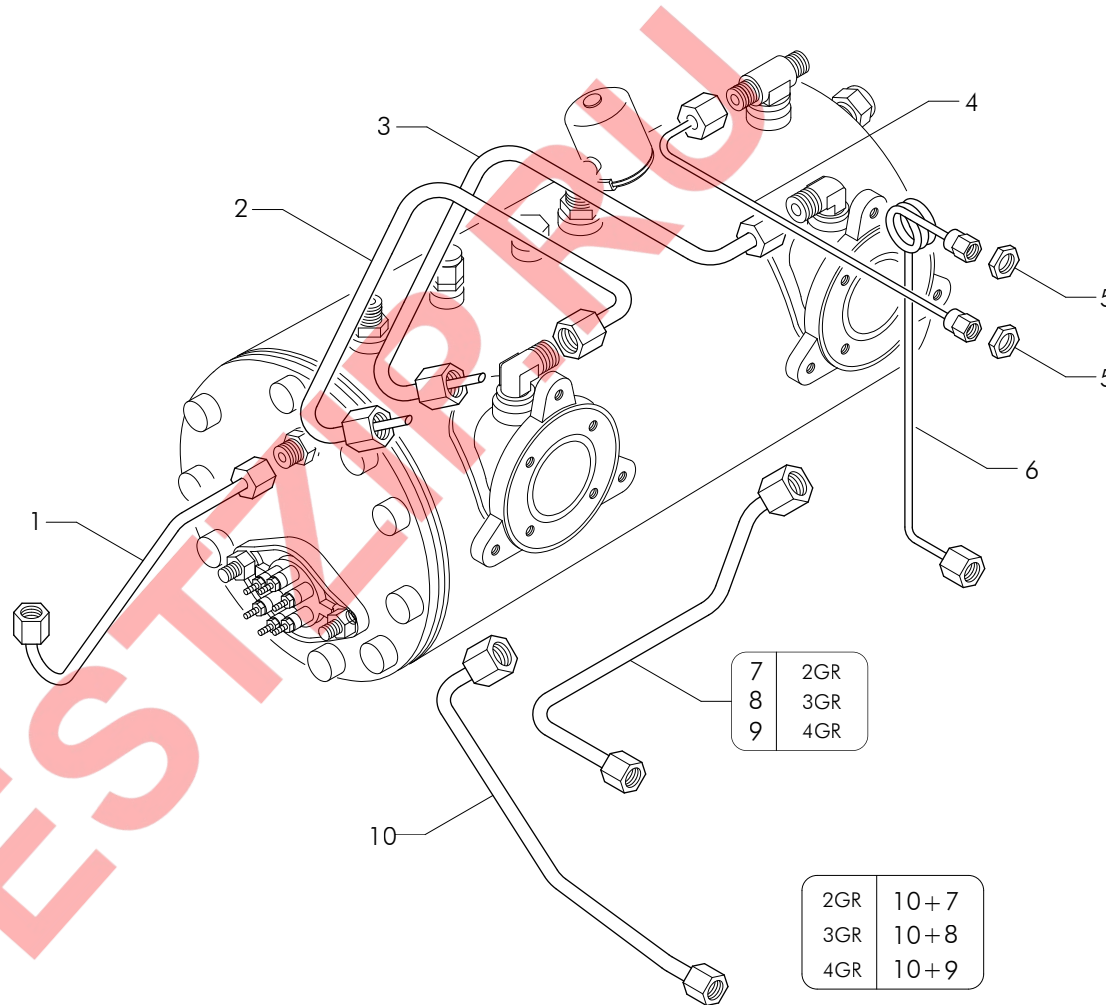
| Pos | Cod. | Denominazione - IT - | Denomination - GB - | Denomination - FR - | Denomination - DE - |
|-----|----------|--------------------------------------|--------------------------------|---------------------------------|--------------------------------|
| 1 | 52001107 | TUB.D-6 L.300 2-3GR LD N. UL 8 CALD | TUBE D-6 L.300 2-3GR LD N. UL8 | TUYAU D-6 L.300 2-3GR LD N. UL8 | ROHR D-6 L.300 2-3GR LD N. UL8 |
| 2 | 52000165 | TUB.D-8 L.450 2GR S 17/A SCAMBIATORE | TUBE D-8 L.450 2GR S 17/A | TUYAU D-8 L.450 2GR S 17/A | ROHR D-8 L.450 2GR S 17/A |
| 3 | 52000164 | TUB.D-8 L.440 2GR S 16/A SCAMBIATORE | TUBE D-8 L.440 2GR S 16/A | TUYAU D-8 L.440 2GR A 16/A | ROHR D-8 L.440 2GR S 16/A |
| 4 | 52001433 | TBS.D-4 L.310 2-3GR CTS AR 56 CALD | TUBE D-4 L.310 | TUYAU D-4 L.310 | ROHR D-4 L.310 |
| 5 | 25395 | DADO 1/8 MANOMETRO | 1/8 NUT GAUGE | ECROU 1/8 MANOMETRE | MUTTER 1/8 MANOMETER |
| 6 | 52000110 | TBS.D-4 L.730 1-4GR A 44 | TUBE D-4 L.730 1-4 GR A 44 | TUYAU D-4 L.730 1-4GR A 44 | ROHR D-4 L.730 1-4GR A 44 |
| 7 | 52001444 | TBS.D-8 L.435 2GR AEP AR 67 SCNR REG | TUBE D-8 L.435 2GR AEP AR67 | TUYAU D-8 L.435 2GR AEP AR67 | ROHR D-8 L.435 2GR AEP AR67 |
| 8 | 52001459 | TBS.D-8 L.730 3GR AEP AR 80 SCNR REG | TUBE D-8 L.730 3GR AEP AR80 | TUYAU D-8 L.730 3GR AEP AR80 | ROHR D-8 L.730 3GR AEP AR80 |
| 9 | 52001468 | TBS.D-8 L.960 4GR AEP AR 89 SCNR REG | TUBE D-8 L.960 4GR AEP AR89 | TUYAU D-8 L.960 4GR AEP AE89 | ROHR D-8 L.960 4GR AEP AR89 |
| 10 | 52000047 | TBS.D-8 L.550 2GR A 14/O SCAMBIAT.DX | TUBE D-8 L.400 2GR A 14/O | TUYAU D-8 L.400 2GR A 14/O | ROHR D-8 L.400 2GR A 14/O |
| 11 | 52000048 | TBS.D-8 L.550 2GR A 14/O CR SCAMBIAT | TUBE D-8 L.400 2GR A 14/O CR | TUYAU D-8 L.400 2GR A 14/O CR | ROHR D-8 L.400 2GR A 14/O CR |
| 12 | 52000049 | TBS.D-8 L.255 3GR A 14/P 2 SCAMBIAT | TUBE D-8 L.255 3GR A 14/P | TUYAU D-8 L.255 3GR A 14/P | ROHR D-8 L.255 3GR A 14/P |
| 13 | 52000050 | TBS.D-8 L.130 4GR A 14/Q 2 SCAMBIAT | TUBE D-8 L.130 4GR A 14/Q | TUYAU D-8 L.130 4GR A 14/Q | ROHR D-8 L.130 4GR A 14/Q |

BESTZIEHUNG



| Pos | Cod. | Denominazione - IT - | Denomination - GB - | Denomination - FR - | Denomination - DE - |
|-----|----------|--------------------------------------|--------------------------------|---------------------------------|--------------------------------|
| 1 | 52001409 | TUB.D-6 L.320 JUN AR 12 CALDAIA | TUBE D-6 L.320 | TUYAU D-6 L.320 | ROHR D-6 L.320 |
| 2 | 52001107 | TUB.D-6 L.300 2-3GR LD N. UL 8 CALD | TUBE D-6 L.300 2-3GR LD N. UL8 | TUYAU D-6 L.300 2-3GR LD N. UL8 | ROHR D-6 L.300 2-3GR LD N. UL8 |
| 3 | 52000181 | TUB.D-8 L.415 1GR S 22/AR SCAMBIAT | TUBE D-8 L.415 1GR S22/AR | TUYAU D-8 L.415 1GR S22/AR | ROHR D-8 L.415 1GR S22/AR |
| 4 | 52001405 | TUB.D-6 L.315 JUN AR 6 CALDAIA > MAN | TUBE D-6 L.315 | TUYAU D-6 L.315 | ROHR D-6 L.315 |
| 5 | 52001433 | TBS.D-4 L.310 2-3GR CTS AR 56 CALD | TUBE D-4 L.310 | TUYAU D-4 L.310 | ROHR D-4 L.310 |
| 6 | 25395 | DADO 1/8 MANOMETRO | 1/8 NUT GAUGE | ECROU 1/8 MANOMETRE | MUTTER 1/8 MANOMETER |
| 7 | 52000110 | TBS.D-4 L.730 1-4GR A 44 | TUBE D-4 L.730 1-4 GR A 44 | TUYAU D-4 L.730 1-4GR A 44 | ROHR D-4 L.730 1-4GR A 44 |
| 8 | 52001495 | TBS.D-8 L.355 AR 114 | TUBE D-8 L.485 | TUYAU D-8 L.485 | ROHR D-8 L.485 |
| 9 | 52001451 | TBS.D-8 L.385 1GR SAE AR 73 DOSAT | TUBE D-8 L.385 1GR SAE AR73 | TUYAU D-8 L.385 1GR AR73 | ROHR D-8 L.385 1GR SAE AR73 |

BESTZIP.RIP



| Pos | Cod. | Denominazione - IT - | Denomination - GB - | Denomination - FR - | Denomination - DE - |
|-----|----------|--------------------------------------|--------------------------------|---------------------------------|--------------------------------|
| 1 | 52001107 | TUB.D-6 L.300 2-3GR LD N. UL 8 CALD | TUBE D-6 L.300 2-3GR LD N. UL8 | TUYAU D-6 L.300 2-3GR LD N. UL8 | ROHR D-6 L.300 2-3GR LD N. UL8 |
| 2 | 52000183 | TUB.D-8 L.450 2GR S 17/AR SCAMBIAT | TUBE D-8 L.450 2GR S17/AR | TUYAU D-8 L.450 2GR S17/AR | ROHR D-8 L.450 2GR S17/AR |
| 3 | 52000182 | TUB.D-8 L.440 2GR S 16/AR SCAMBIAT | TUBE D-8 L.440 2GR S16/AR | TUYAU D-8 L.440 2GR S16/AR | ROHR D-8 L.440 2GR S16/AR |
| 4 | 52001433 | TBS.D-4 L.310 2-3GR CTS AR 56 CALD | TUBE D-4 L.310 | TUYAU D-4 L.310 | ROHR D-4 L.310 |
| 5 | 25395 | DADO 1/8 MANOMETRO | 1/8 NUT GAUGE | ECROU 1/8 MANOMETRE | MUTTER 1/8 MANOMETER |
| 6 | 52000110 | TBS.D-4 L.730 1-4GR A 44 | TUBE D-4 L.730 1-4 GR A 44 | TUYAU D-4 L.730 1-4GR A 44 | ROHR D-4 L.730 1-4GR A 44 |
| 7 | 52001441 | TBS.D-8 L.580 2GR SAE AR 64 DOSATORE | TUBE D-8 L.580 2GR SAE AR64 | TUYAU D-8 L.580 2GR SAE AR64 | ROHR D-8 L.580 2GR SAE AR64 |
| 8 | 52001457 | TBS.D-8 L.715 3GR SAE AR 78 DOSATORE | TUBE D-8 L.715 3GR SAE AR78 | TUYAU D-8 L.715 3GR SAE AR78 | ROHR D-8 L.715 3GR SAE AR78 |
| 9 | 52001465 | TBS.D-8 L.650 4GR SAE AR 86 DOS.CENT | TUBE D-8 L.650 4GR SAE AR86 | TUYAU D-8 L.650 4GR SAE AR86 | ROHR D-8 L.650 4GR SAE AR86 |
| 10 | 52001464 | TBS.D-8 L.420 4GR SAE AR 85 DOSATORE | TUBE D-8 L.420 4GR SAE AR85 | TUYAU D-8 L.420 4GR SAE AR85 | ROHR D-8 L.420 4GR SAE AR85 |

BESTZIP.RIP

INDICE - INDEX - SOMMAIRE - VERZEICHNIS

rev.

INF-01

Impianto idraulico inferiore - Hydraulic circuit lower
Circuit hydraulique inférieure - Wasser-anlage unten

AEP/AEAP
SMSA/SMAT

JUN

01
06/2004

INF-02

Impianto idraulico inferiore - Hydraulic circuit lower
Circuit hydraulique inférieure - Wasser-anlage unten

AEP/AEAP
SMSA/SMAT

1 GR

01
06/2004

INF-03

Impianto idraulico inferiore - Hydraulic circuit lower
Circuit hydraulique inférieure - Wasser-anlage unten

AEP/AEAP
SMSA/SMAT

2-3-4 GR

01
06/2004

INF-04

Impianto idraulico inferiore - Hydraulic circuit lower
Circuit hydraulique inférieure - Wasser-anlage unten

SAE
SME

JUN

01
06/2004

INF-05

Impianto idraulico inferiore - Hydraulic circuit lower
Circuit hydraulique inférieure - Wasser-anlage unten

SAE
SME

1 GR

01
06/2004

INF-06

Impianto idraulico inferiore - Hydraulic circuit lower
Circuit hydraulique inférieure - Wasser-anlage unten

SAE
SME

2-3-4 GR

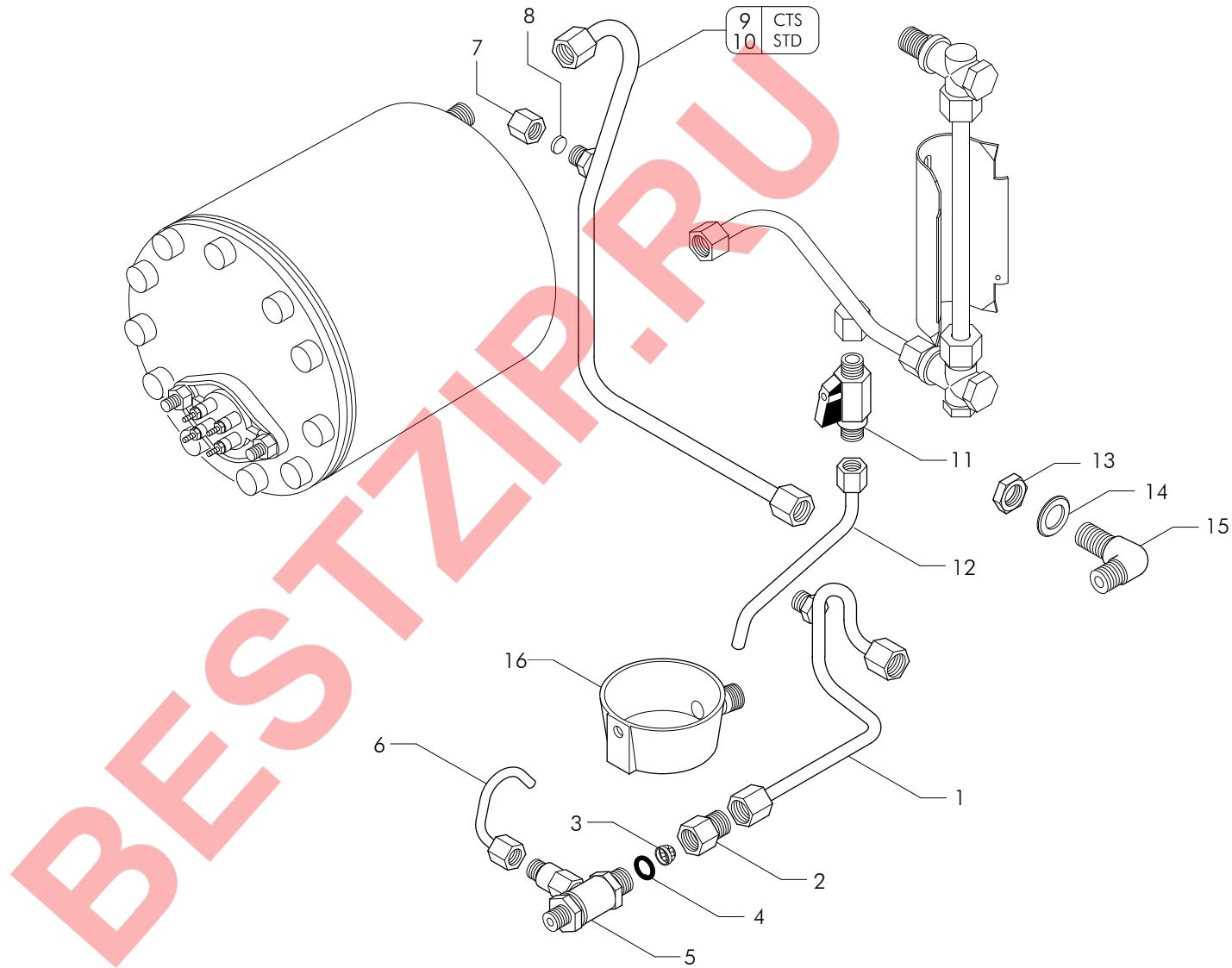
01
06/2004

*Impianto
idraulico
inferiore*

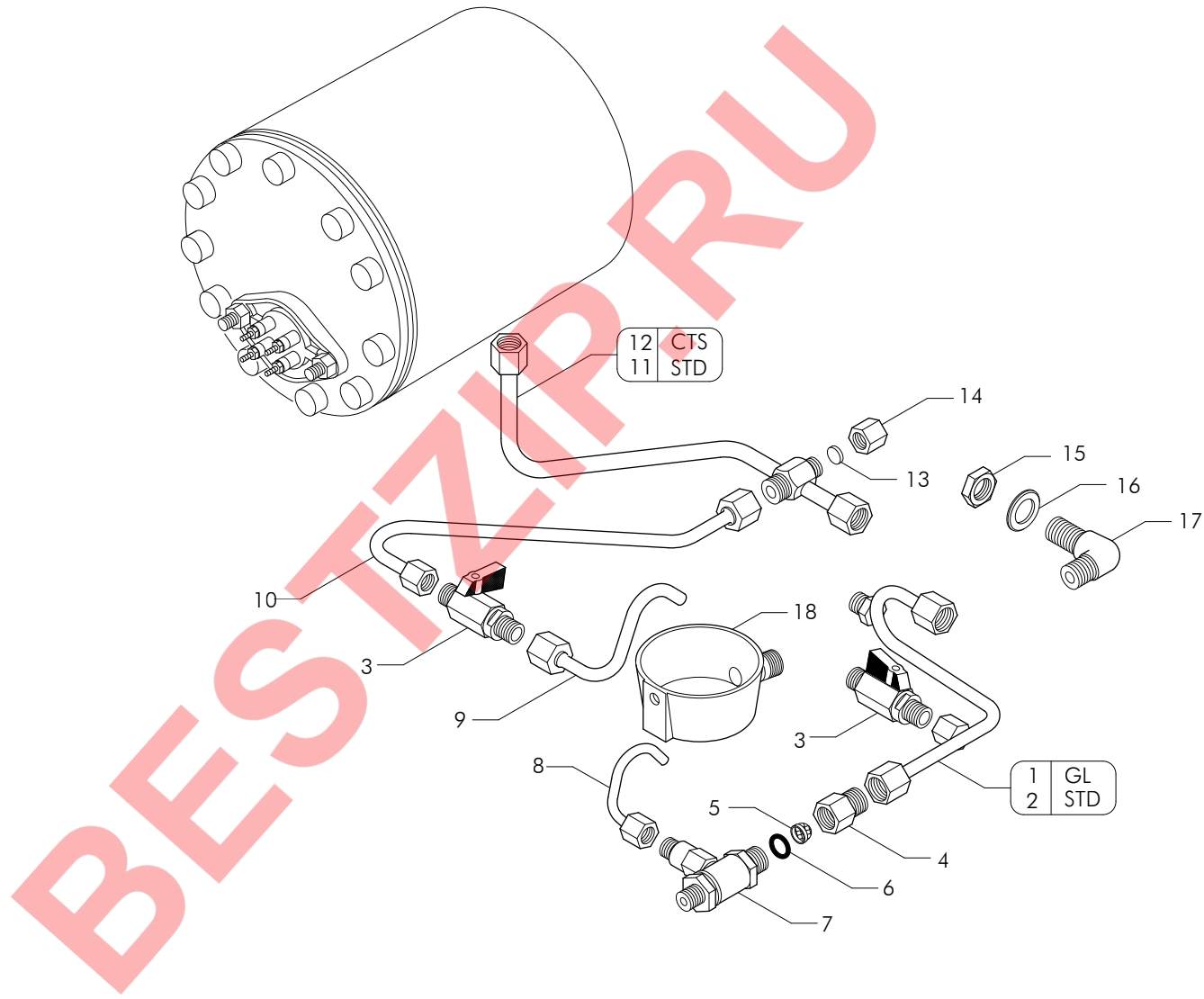
*Hydraulic
circuit lower*

*Circuit
hydraulique
inférieure*

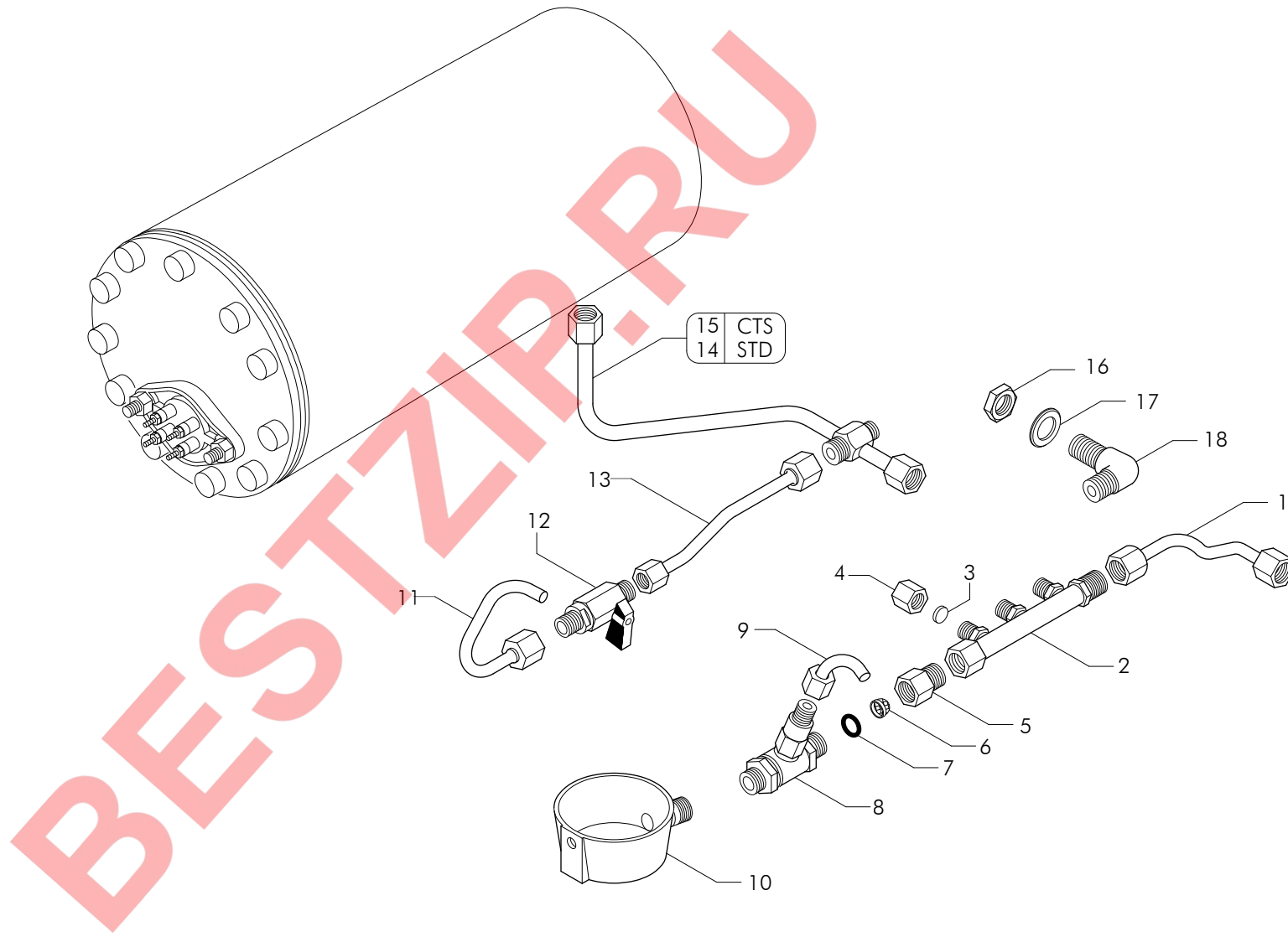
*Wasser-anlage
unten*



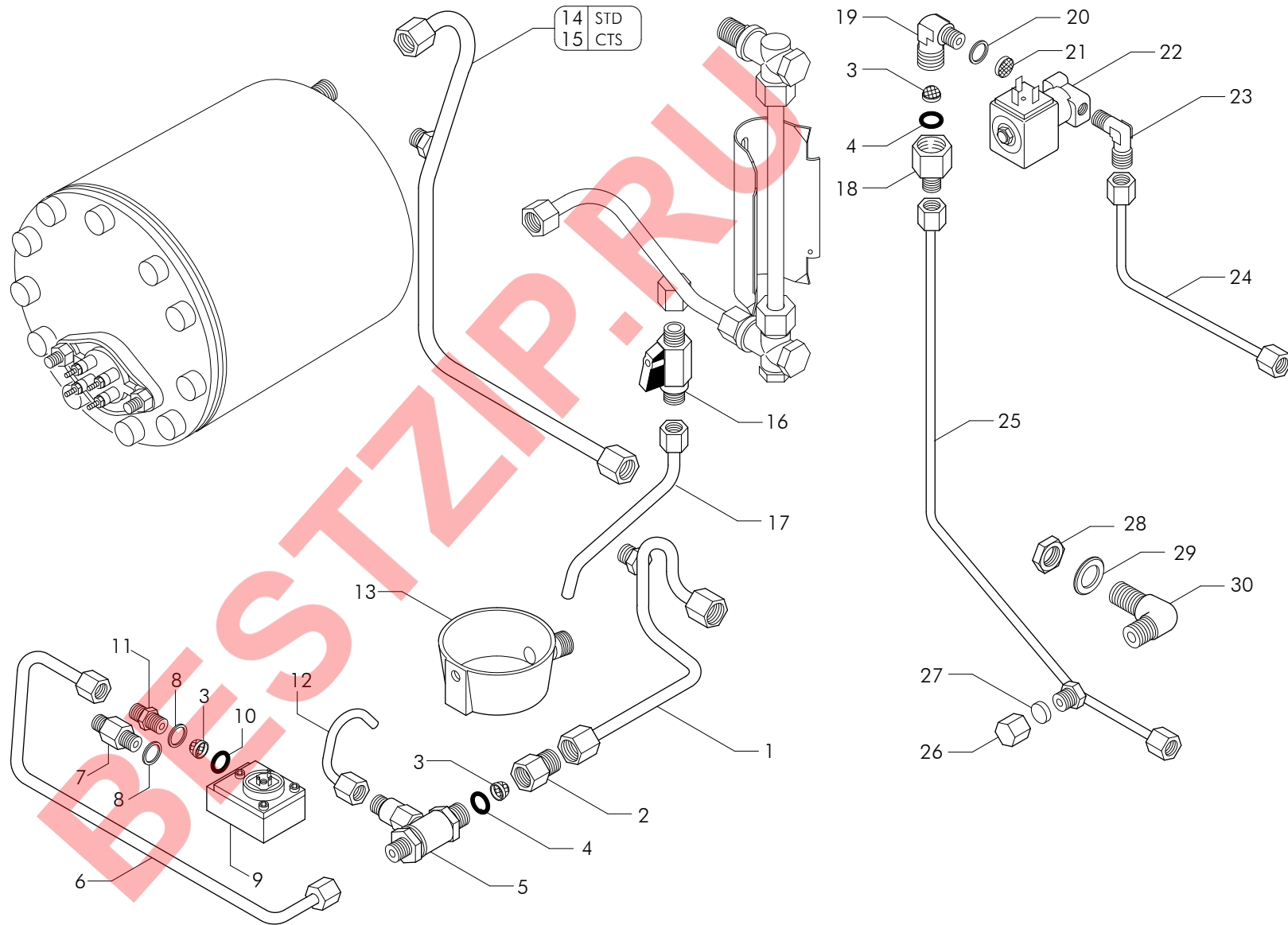
| Pos | Cod. | Denominazione - IT - | Denomination - GB - | Denomination - FR - | Denomination - DE - |
|-----|----------|-----------------------------------|-------------------------------------|-----------------------------------|-------------------------------------|
| 1 | 52000268 | TUB.D-6 L.130 DV 69 PONTE | D-6 130 L PIPE DV 69 | TUYAU D-6 L.130 DV 6 | ROHR D. 6 L.130 DV 6 |
| 2 | 25732100 | RACCORDO 3/8MX3/8F + SEDE FILTRO | FITTING 3/8MX3/8F | RACCORD 3/8MX3/8F | ANSCHLUSS 3/8MX3/8F |
| 3 | 10254 | FILTRO ACCIAIO 160-200 MESH | STEEL FILTER 160-200 MESH | FILTRE EN ACIER 160-200 MESH | STAHLFILTER 160-200 MESH |
| 4 | 12312 | GUARNIZIONE OR FILTRO AEA 10X2 | O RING FOR WATER REFILL FILTER 10X2 | JOINT OR FILTRE AUT.REM.EAU 10X2 | OR DICHTUNG FUR WASSERFULLUNGFILTER |
| 5 | 20361 | VALVOLA S.C.N.R. REGOLABILE | ADJUSTABLE S.C.N.R. VALVE | SOUPAPE S.C.N.R. REGLABLE | EINSTELLBARES VENTIL S.N.C.R. |
| 6 | 52001350 | TUB.D-6 L.105 2GR SAE LD 41 | D-6 105 L PIPE 2GR SAE LD 41 | TUYAU D-6 L.105 2GR SAE LD 41 | ROHR D-6 L.105 2GR SAE LD 41 |
| 7 | 25782 | TAPPO FEMMINA 1/4 GAS | 1/4 GAS FEMALE TAP | BOUCHON FEMELLE 1/4 GAZ | INNENANSCHLUSSSTÖPSEL 1/4 GAS |
| 8 | 12007 | GUARNIZIONE KLINGERSIL4400 | KLINGERSIL4400 COPPER SEAL | JOINT KLINGERSIL4400 POUR BOUCHON | DICHTUNG KLINGER SIL4400 X DECKEL |
| 9 | 52001299 | TBS.D-10 L.490 1-4GR LD 1CR POMPA | TUBE D-10 L. 490 1-4GR LD 1CR | TUYAU D-10 L.490 1-4GR LD 1CR | ROHR D-10 L.490 1-4GR LD 1CR |
| 10 | 52000274 | TBS.D-10 L.460 JUN DV 75 POMPA | D-10 460 L PIPE DV 75 | TUYAU D-10 L.460 DV 7 | ROHR D. 10 L.460 DV 7 |
| 11 | 20354 | VALVOLA CHIUSURA AEA | PRESSURE RELEASE TAP BULK UNIT | CLAPET FERMETURE AUT.ARRIVEE EAU | ABSPERRVENTIL X AUT.WASSERZUFUHR |
| 12 | 52000279 | TBS.D-8 L.210 DV 80 RUB.SCARICO | D-8 210 L PIPE DV 80 | TUYAU D-8 L.210 DV 8 | ROHR D. 8 L.210 DV 8 |
| 13 | 25356 | CONTRODADO OTTONE 3/8 | BRASS LOCK NUT 3/8 | CONTRE-ECROU LAITON 3/8 | MESSING-GEGENMUTTER 3/8 |
| 14 | 25651 | RONDELLA OTTONE 3/8 | BRASS WASHER 3/8 | RONDELLE LAITON 3/8 | MESSINGSCHIEBE 3/8 |
| 15 | 43067 | RACCORDO "L" 3/8 GASX3/8 GAS L.30 | 3/8 GAS X 3/8 GAS L FITTING L.30 | RACCORD L 3/8 GAZX3/8 GAZ L.30 | ANSCHLUSS L 3/8 GAS X 3/8 GAS L. 30 |
| 16 | 15502 | VASCHETTA SCARICO ROTONDA D 80 | ROUND DRAIN BASIN D.80MM | CUVE A VIDANGER RONDE D.80MM | RUNDE ABFLUSSCHALE D.80MM |



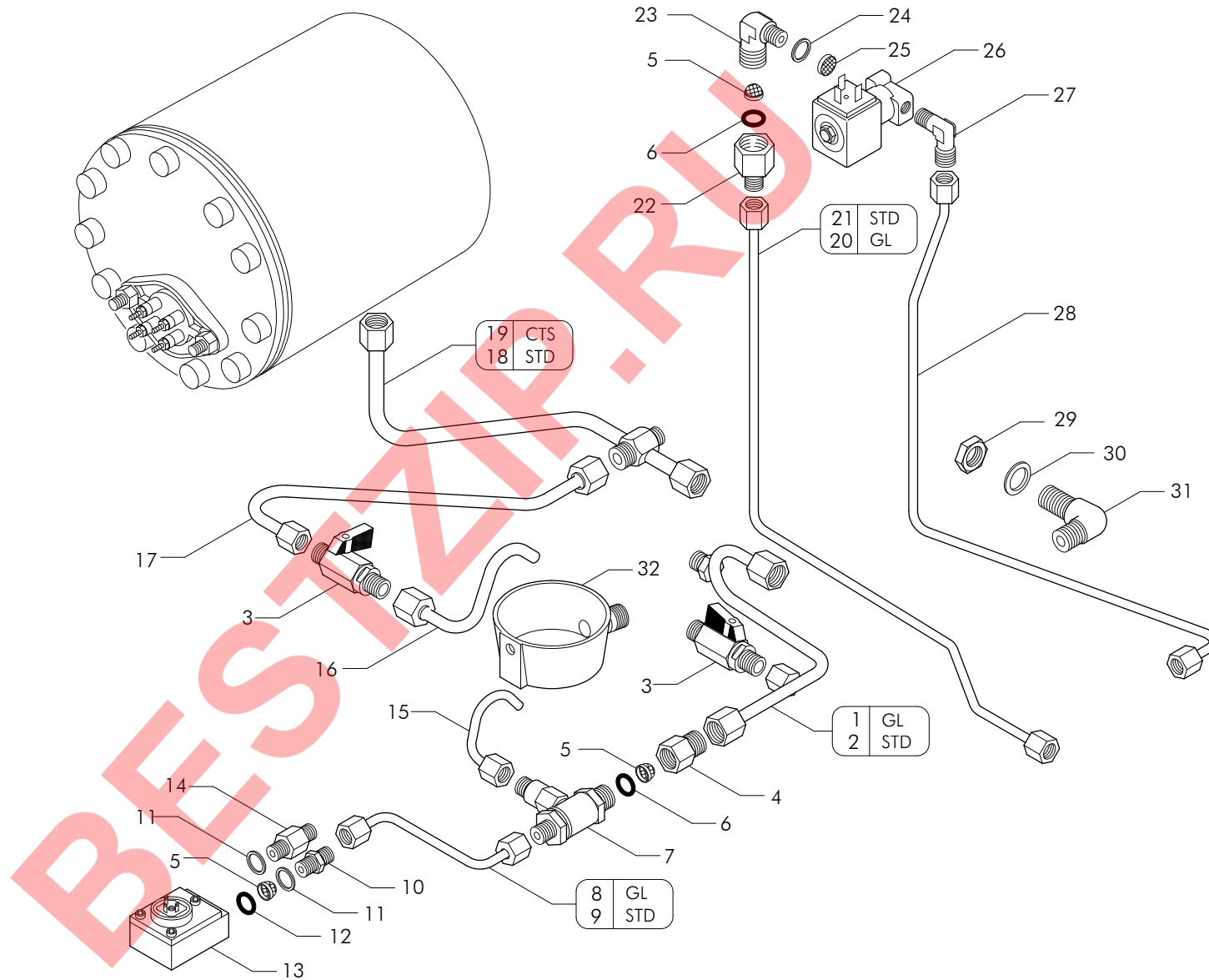
| Pos | Cod. | Denominazione - IT - | Denomination - GB - | Denomination - FR - | Denomination - DE - |
|-----|----------|---------------------------------------|-------------------------------------|-----------------------------------|-------------------------------------|
| 1 | 52000427 | TBS.D-8 L.230 GL28 | TUBE D-8 L.230 GL28 | TUYAU D-8 L.230 GL28 | ROHR D-8 L.230 GL28 |
| 2 | 52003302 | TBS.D-8 L.265 | TUBE D-8 L.265 | TUYAU D-8 L.265 | ROHR D-8 L.265 |
| 3 | 20354 | VALVOLA CHIUSURA AEA | PRESSURE RELEASE TAP BULK UNIT | CLAPET FERMETURE AUT.ARRIVEE EAU | ABSPERRVENTIL X AUT.WASSERZUFUHR |
| 3 | 20354 | VALVOLA CHIUSURA AEA | PRESSURE RELEASE TAP BULK UNIT | CLAPET FERMETURE AUT.ARRIVEE EAU | ABSPERRVENTIL X AUT.WASSERZUFUHR |
| 4 | 25732100 | RACCORDO 3/8MX3/8F + SEDE FILTRO | FITTING 3/8MX3/8F | RACCORD 3/8MX3/8F | ANSCHLUSS 3/8MX3/8F |
| 5 | 10254 | FILTRO ACCIAIO 160-200 MESH | STEEL FILTER 160-200 MESH | FILTRE EN ACIER 160-200 MESH | STAHLFILTER 160-200 MESH |
| 6 | 12312 | GUARNIZIONE OR FILTRO AEA 10X2 | O RING FOR WATER REFILL FILTER 10X2 | JOINT OR FILTRE AUT.REM.EAU 10X2 | OR DICHTUNG FUR WASSERFULLUNGFILTER |
| 7 | 20361 | VALVOLA S.C.N.R. REGOLABILE | ADJUSTABLE S.C.N.R. VALVE | SOUPAPE S.C.N.R. REGLABLE | EINSTELLBARES VENTIL S.N.C.R. |
| 8 | 52001350 | TUB.D-6 L.105 2GR SAE LD 41 | D-6 105 L PIPE 2GR SAE LD 41 | TUYAU D-6 L.105 2GR SAE LD 41 | ROHR D-6 L.105 2GR SAE LD 41 |
| 9 | 52000267 | TBS.D-8 L.100 DV 68 RUBINETTO SCARICO | D-8 100 L PIPE DV 68 | TUYAU D-8 L.100 DV 6 | ROHR D. 8 L.100 DV 6 |
| 10 | 52000365 | TBS.D-8 L.280 DV 47/A | TUBE D-8 L.280 DV47/A | TUYAU D-8 L.280 DV47/A | ROHR D-8 L.280 DV47/A |
| 11 | 52001513 | TBS.D-10 L.320 AR 63/A POMPA | TUBE D-10 L.320 AR 63/A | TUYAU D-10 L.320 AR 63/A | ROHR D-10 L.320 AR 63/A |
| 12 | 52002722 | TUB.D-6 L.275 2GR AL W 13CALDAIA | TUBE D-6 L.275 W 13 | TUYAU D-6 L.275 W 13 | ROHR D-6 L.275 W 13 |
| 13 | 12007 | GUARNIZIONE KLINGERSIL4400 | KLINGERSIL4400 COPPER SEAL | JOINT KLINGERSIL4400 POUR BOUCHON | DICHTUNG KLINGER SIL4400 X DECKEL |
| 14 | 25782 | TAPPO FEMMINA 1/4 GAS | 1/4 GAS FEMALE TAP | BOUCHON FEMELLE 1/4 GAZ | INNENANSCHLUSSSTÖPSEL 1/4 GAS |
| 15 | 25356 | CONTRODADO OTTONE 3/8 | BRASS LOCK NUT 3/8 | CONTRE-ECROU LAITON 3/8 | MESSING-GEGENMUTTER 3/8 |
| 16 | 25651 | RONDELLA OTTONE 3/8 | BRASS WASHER 3/8 | RONDELLE LAITON 3/8 | MESSINGSCHIEBE 3/8 |
| 17 | 43067 | RACCORDO "L" 3/8 GASX3/8 GAS L.30 | 3/8 GAS X 3/8 GAS L FITTING L.30 | RACCORD L 3/8 GAZX3/8 GAZ L.30 | ANSCHLUSS L 3/8 GAS X 3/8 GAS L. 30 |
| 18 | 15502 | VASCHETTA SCARICO ROTONDA D 80 | ROUND DRAIN BASIN D.80MM | CUVE A VIDANGER RONDE D.80MM | RUNDE ABFLUSSCHALE D.80MM |



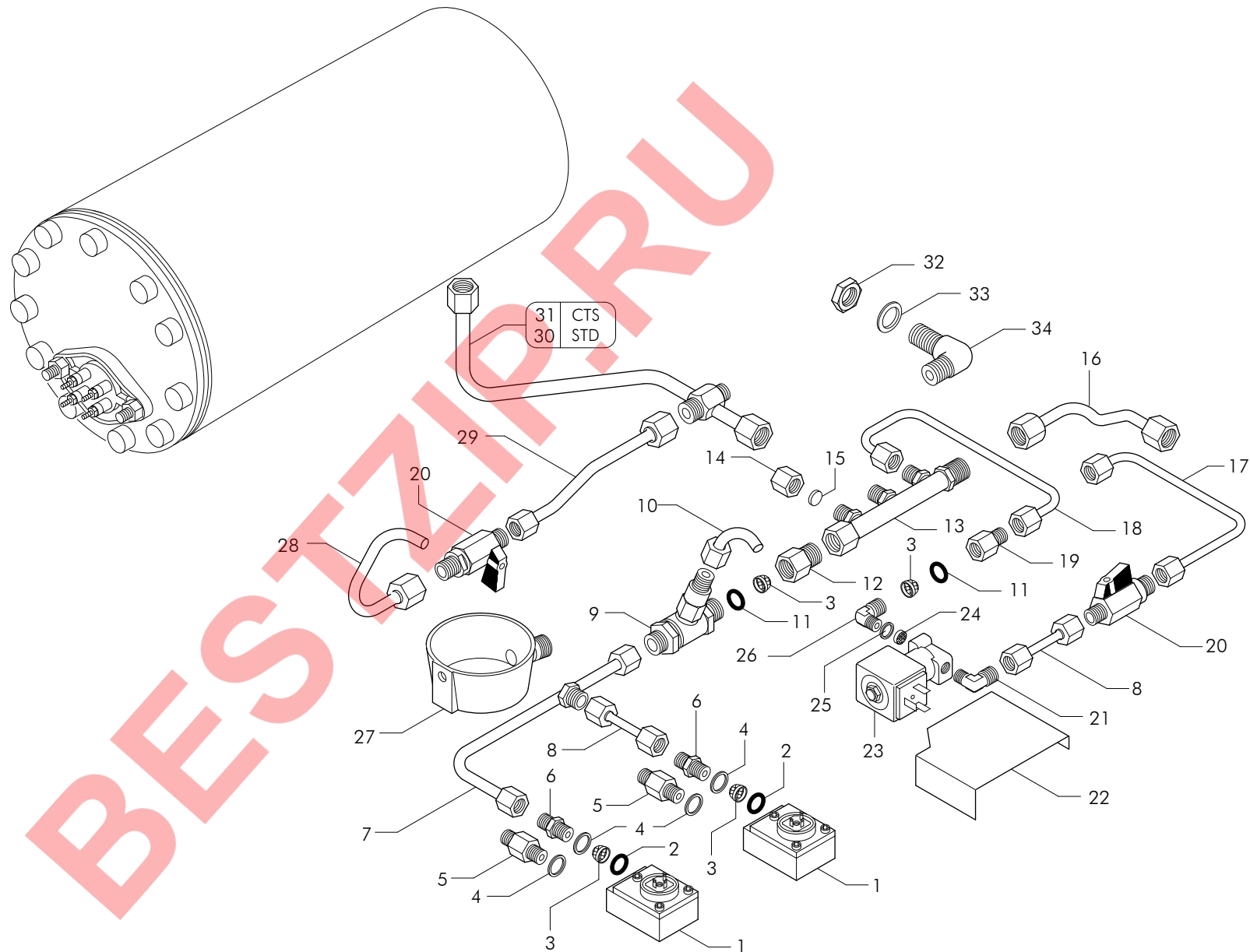
| Pos | Cod. | Denominazione - IT - | Denomination - GB - | Denomination - FR - | Denomination - DE - |
|-----|----------|---------------------------------------|-------------------------------------|-----------------------------------|-------------------------------------|
| 1 | 52000367 | TBS.D-8 L.150 DV 1/D | TUBE D-8 L.150 DV1/D | TUYAU D-8 L.150 DV1/D | ROHR D-8 L.150 DV1/D |
| 2 | 56136004 | ASSIEME BLOCCO DISTRIBUZ.2-3-4GR | DISTRIBUTION BLOCK 2-3-4GR | BLOC DISTRIBUTION 2-3-4GR | BLOCK VERTEILER 2-3-4GR |
| 3 | 12007 | GUARNIZIONE KLINGERSIL4400 | KLINGERSIL4400 COPPER SEAL | JOINT KLINGERSIL4400 POUR BOUCHON | DICHTUNG KLINGER SIL4400 X DECKEL |
| 4 | 25782 | TAPPO FEMMINA 1/4 GAS | 1/4 GAS FEMALE TAP | BOUCHON FEMELLE 1/4 GAZ | INNENANSCHLUSSSTÖPSEL 1/4 GAS |
| 5 | 25732100 | RACCORDO 3/8MX3/8F + SEDE FILTRO | FITTING 3/8MX3/8F | RACCORD 3/8MX3/8F | ANSCHLUSS 3/8MX3/8F |
| 6 | 10254 | FILTRO ACCIAIO 160-200 MESH | STEEL FILTER 160-200 MESH | FILTRE EN ACIER 160-200 MESH | STAHLFILTER 160-200 MESH |
| 7 | 12312 | GUARNIZIONE OR FILTRO AEA 10X2 | O RING FOR WATER REFILL FILTER 10X2 | JOINT OR FILTRE AUT.REM.EAU 10X2 | OR DICHTUNG FUR WASSERFULLUNGFILTER |
| 8 | 20361 | VALVOLA S.C.N.R. REGOLABILE | ADJUSTABLE S.C.N.R. VALVE | SOUPAPE S.C.N.R. REGLABLE | EINSTELLBARES VENTIL S.N.C.R. |
| 9 | 52000336 | TUB.D-6 L.270 4GR DV 58/A SCNR | D-6 270 L PIPE DV 58/A | TUYAU D-6 L.270 DV 58/ | ROHR D. 6 L.270 DV 58/ |
| 9 | 52001351 | TUB.D-6 L.170 2GR SAE LD 42 | TUBE D-6 L.170 2GR SAE LD 42 | TUYAU D-6 L.170 2GR SAE LD 42 | ROHR D-6 L.170 2GR SAE LD 42 |
| 9 | 52002898 | TUBO D-6 L.50 3 W169 | D-6 50 L3 PIPE W169 | TUYAU D-6 L.50 3 W1 | ROHR D. 6 L.50 3 W1 |
| 10 | 15502 | VASCETTA SCARICO ROTONDA D 80 | ROUND DRAIN BASIN D.80MM | CUVE A VIDANGER RONDE D.80MM | RUNDE ABFLUSSCHALE D.80MM |
| 11 | 52000267 | TBS.D-8 L.100 DV 68 RUBINETTO SCARICO | D-8 100 L PIPE DV 68 | TUYAU D-8 L.100 DV 6 | ROHR D. 8 L.100 DV 6 |
| 11 | 52000362 | TBS.D-8 L.255 DV 68/A | TUBE D-8 L.255 DV 68/A | TUYAU D-8 L.255 DV 68/A | ROHR D-8 L.255 DV 68/A |
| 11 | 52000363 | TBS.D-8 L.380 DV 68/B | TUBE D-8 L.380 DV 68/B | TUYAU D-8 L.380 DV 68/B | ROHR D-8 L.380 DV 68/B |
| 12 | 20354 | VALVOLA CHIUSURA AEA | PRESSURE RELEASE TAP BULK UNIT | CLAPET FERMETURE AUT.ARRIVEE EAU | ABSPERRVENTIL X AUT.WASSERZUFUHR |
| 13 | 52000361 | TBS.D-8 L.13 DV 16/A | TUBE D-8 L.135 DV 16/A | TUYAU D-8 L.135 DV 16/A | ROHR D-8 L.135 DV 16/A |
| 14 | 52001513 | TBS.D-10 L.320 AR 63/A POMPA | TUBE D-10 L.320 AR 63/A | TUYAU D-10 L.320 AR 63/A | ROHR D-10 L.320 AR 63/A |
| 15 | 52002722 | TUB.D-6 L.275 2GR AL W 13CALDAIA | TUBE D-6 L.275 W 13 | TUYAU D-6 L.275 W 13 | ROHR D-6 L.275 W 13 |
| 16 | 25356 | CONTRODADO OTTONE 3/8 | BRASS LOCK NUT 3/8 | CONTRE-ECROU LAITON 3/8 | MESSING-GEGENMUTTER 3/8 |
| 17 | 25651 | RONDELLA OTTONE 3/8 | BRASS WASHER 3/8 | RONDELLE LAITON 3/8 | MESSINGSCHIEBE 3/8 |
| 18 | 43067 | RACCORDO "L" 3/8 GASX3/8 GAS L.30 | 3/8 GAS X 3/8 GAS L FITTING L.30 | RACCORD L 3/8 GAZX3/8 GAZ L.30 | ANSCHLUSS L 3/8 GAS X 3/8 GAS L. 30 |



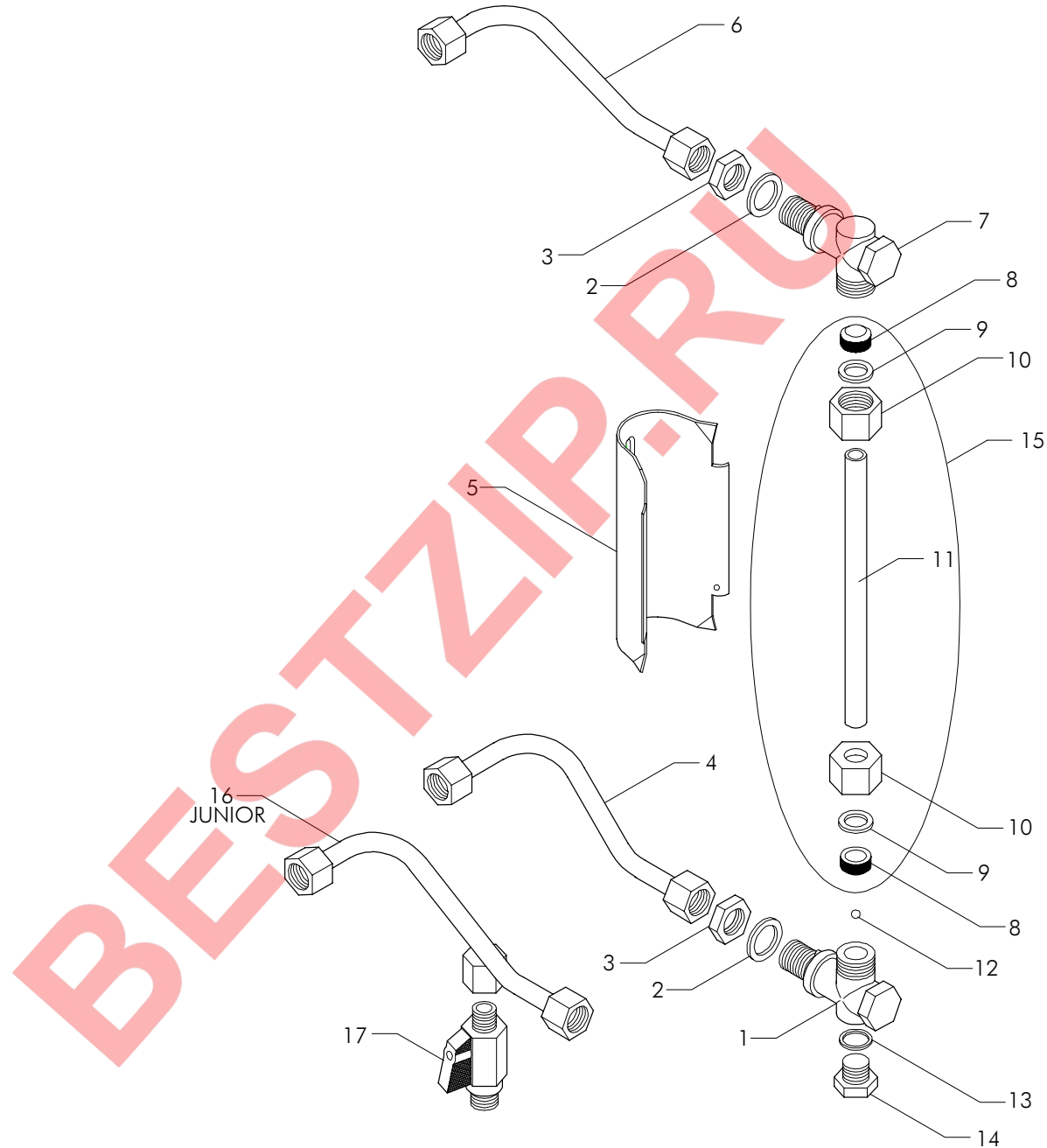
| Pos | Cod. | Denominazione - IT - | Denomination - GB - | Denomination - FR - | Denomination - DE - |
|-----|----------|---|-------------------------------------|-------------------------------------|-------------------------------------|
| 1 | 52000268 | TUB.D-6 L.130 DV 69 PONTE | D-6 130 L PIPE DV 69 | TUYAU D-6 L.130 DV 6 | ROHR D. 6 L.130 DV 6 |
| 2 | 25732100 | RACCORDO 3/8MX3/8F + SEDE FILTRO | FITTING 3/8MX3/8F | RACCORD 3/8MX3/8F | ANSCHLUSS 3/8MX3/8F |
| 3 | 10254 | FILTRO ACCIAIO 160-200 MESH | STEEL FILTER 160-200 MESH | FILTRE EN ACIER 160-200 MESH | STAHLFILTER 160-200 MESH |
| 4 | 12312 | GUARNIZIONE OR FILTRO AEA 10X2 | O RING FOR WATER REFILL FILTER 10X2 | JOINT OR FILTRE AUT.REM.EAU 10X2 | OR DICHTUNG FUR WASSERFULLUNGFILTER |
| 5 | 20361 | VALVOLA S.C.N.R. REGOLABILE | ADJUSTABLE S.C.N.R. VALVE | SOUPAPE S.C.N.R. REGLABLE | EINSTELLBARES VENTIL S.N.C.R. |
| 6 | 52000348 | TBS.D-6 L.260 JUN DV 71/A SCNR REG | D-6 260 L PIPE JUN DV 71/A | TUYAU D-6 L.260 JUN DV 71/A | ROHR D-6 L.260 JUN DV 71/A |
| 7 | 25708 | RACCORDO 1/4X1/4 | 1/4X1/4 FITTING | RACCORD 1/4X1/4 | ANSCHLUSS 1/4X1/4 |
| 8 | 12153 | GUARNIZIONE CU 1/4 17X13.3X1.5 | 1/4 17X13.3X1.5 COPPER SEAL | JOINT CUIVRE 1/4 17X13.3X1.5 | KUPFERDICHTUNG 1/4 17X13.3X1.5 |
| 9 | 18126 | DOSATORE FLOWMETER FH 12 909602 | FH 12 907613 FLOWMETER DOSER | DOSEUR FLOWMETER FH 12 907613 | DOSIERER FLOWMETER FH 12 907613 |
| 10 | 12329 | GUARNIZIONE OR 2031 VITON 7.66XW1.78 | O RING 2031 VITON 7.66XW1.78 | JOINT OR 2031 VITON 7.66X1.78 | OR DICHTUNG 2031 VITON 7.66XW1.78 |
| 11 | 25686 | RACCORDO 1/4X1/4 FLANGIA | CONNECTOR 1/4 X 1/4 FLANGE | RACCORD 1/4 X 1/4 BRIDE | ANSCHLUSS 1/4X1/4 FLANSCH |
| 12 | 52001350 | TUB.D-6 L.105 2GR SAE LD 41 | D-6 105 L PIPE 2GR SAE LD 41 | TUYAU D-6 L.105 2GR SAE LD 41 | ROHR D-6 L.105 2GR SAE LD 41 |
| 13 | 15502 | VASCHETTA SCARICO ROTONDA D 80 | ROUND DRAIN BASIN D.80MM | CUVE A VIDANGER RONDE D.80MM | RUNDE ABFLUSSCHALE D.80MM |
| 14 | 52001299 | TBS.D-10 L.490 1-4GR LD 1CR POMPA | TUBE D-10 L. 490 1-4GR LD 1CR | TUYAU D-10 L.490 1-4GR LD 1CR | ROHR D-10 L.490 1-4GR LD 1CR |
| 15 | 52000274 | TBS.D-10 L.460 JUN DV 75 POMPA | D-10 460 L PIPE DV 75 | TUYAU D-10 L.460 DV 7 | ROHR D. 10 L.460 DV 7 |
| 16 | 20354 | VALVOLA CHIUSURA AEA | PRESSURE RELEASE TAP BULK UNIT | CLAPET FERMETURE AUT.ARRIVEE EAU | ABSPERRVENTIL X AUT.WASSERZUFUHR |
| 17 | 52000279 | TBS.D-8 L.210 DV 80 RUB.SCARICO | D-8 210 L PIPE DV 80 | TUYAU D-8 L.210 DV 8 | ROHR D. 8 L.210 DV 8 |
| 18 | 25705 | RACCORDO FILTRO AEA | AUT.WATER REFILL FILTER CONNECTOR | RACCORD FILTRE REM.EAU.AUT. | FILTERFITTING AUT.WASSERFULLUNG |
| 19 | 23217 | RACCORDO GOMITO D10 3/8X1/8 CON AEA | FITTING D10 3/8X1/8 WITH AWI F 1.2 | RACCORD GOMME D10 3/8X1/8 AEE F 1.2 | FITTING D10 3/8X1/8 MIT A.W.F. 1.2 |
| 20 | 12155 | GUARNIZIONE CU 8.5X5X1 | COPPER GASKET 8.5X5X1 | JOINT CU 8.5X5X1 | CU DICHTUNG 8.5X5X1 |
| 21 | 10251001 | FILTRO IN ACCIAIO D-8 SP.0,3 | STEEL FILTER D-8 - 0.3 THICK | FILTRE EN ACIER D-8 EP.0,3 | STAHLFILTER D-8 SP.0,3 |
| 22 | 18162002 | ELETTRIVALVOLA 230V AEA VDE | SOL.VALVE WATER REFILL 230V PARKER | ELECTROVANNE REA 230V PARKER | ELEKTROVENTIL AWZ 230V PARKER |
| 22 | 18195 | ELETTRIVALVOLA 120V VE140.2IR VDE/UL | SOLENOID VALVE SCEM 2/2 110V 60HZ | ELECTROVANNE SCEM 2/2 110V 60HZ | MAGNETVENTIL SCEM 2/2 110V 60HZ |
| 23 | 23201 | RACCORDO OTT.GOM.D6.2 1/4X1/8-AEA | ELBOW BRASS CONNECTOR D6.2 1/4X1/8 | RACCORD COUDE LAITON D6.2 1/4X1/8 | MESSING-ANSCHLUSS D6.2 1/4X1/8 |
| 24 | 52000115 | TUB.D-6 L.160 1-4GR NUOVE A 48/A A.E.A. | TUBE D-6 L.160 1-4GR NEW A 48/A | TUYAU D-6 L.160 1-4GR NOUVEAUA 48/A | ROHR D-6 L. 160 1-4 GR A 48/A |
| 25 | 52000344 | TBS.D-6 L.550 1GR DV 42/C TUB.DV 1/C | TUBE D-6 L.530 | TUYAU D-6 L.530 | ROHR D-6 L.530 |
| 26 | 25782 | TAPPO FEMMINA 1/4 GAS | 1/4 GAS FEMALE TAP | BOUCHON FEMELLE 1/4 GAZ | INNENANSCHLUSSSTÖPSEL 1/4 GAS |
| 27 | 12007 | GUARNIZIONE KLINGERSIL4400 | KLINGERSIL4400 COPPER SEAL | JOINT KLINGERSIL4400 POUR BOUCHON | DICHTUNG KLINGER SIL4400 X DECKEL |
| 28 | 25356 | CONTRODADO OTTONE 3/8 | BRASS LOCK NUT 3/8 | CONTRE-ECROU LAITON 3/8 | MESSING-GEGENMUTTER 3/8 |
| 29 | 25651 | RONDELLA OTTONE 3/8 | BRASS WASHER 3/8 | RONDELLE LAITON 3/8 | MESSINGSCHIEBE 3/8 |
| 30 | 43067 | RACCORDO "L" 3/8 GASX3/8 GAS L.30 | 3/8 GAS X 3/8 GAS L FITTING L.30 | RACCORD L 3/8 GAZX3/8 GAZ L.30 | ANSCHLUSS L 3/8 GAS X 3/8 GAS L. 30 |



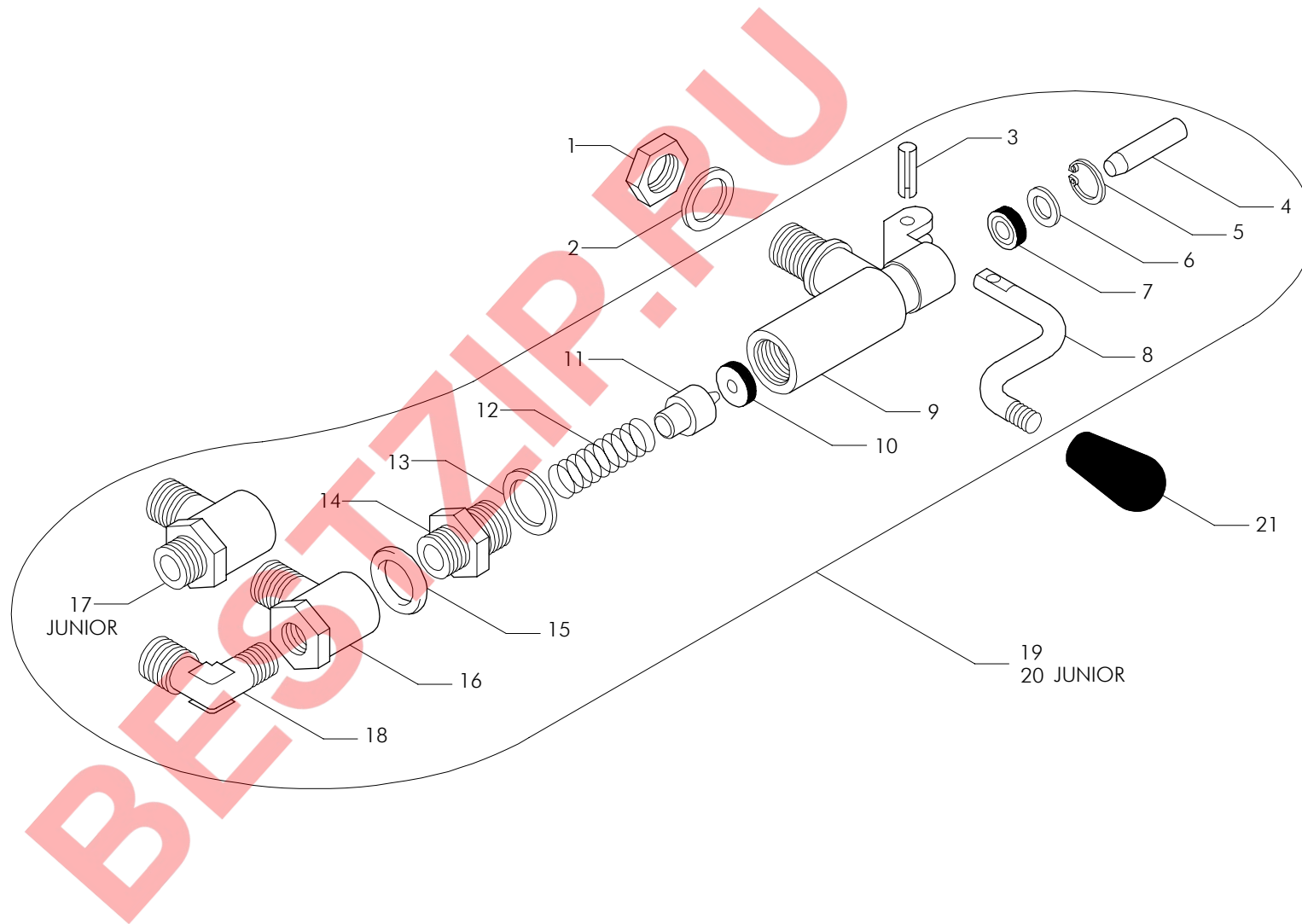
| Pos | Cod. | Denominazione - IT - | Denomination - GB - | Denomination - FR - | Denomination - DE - |
|-----|----------|---------------------------------------|-------------------------------------|-------------------------------------|-------------------------------------|
| 1 | 52000427 | TBS.D-8 L.230 GL28 | TUBE D-8 L.230 GL28 | TUYAU D-8 L.230 GL28 | ROHR D-8 L.230 GL28 |
| 2 | 52003302 | TBS.D-8 L.265 | TUBE D-8 L.265 | TUYAU D-8 L.265 | ROHR D-8 L.265 |
| 3 | 20354 | VALVOLA CHIUSURA AEA | PRESSURE RELEASE TAP BULK UNIT | CLAPET FERMETURE AUT.ARRIVEE EAU | ABSPERRVENTIL X AUT.WASSERZUFUHR |
| 4 | 25732100 | RACCORDO 3/8MX3/8F + SEDE FILTRO | FITTING 3/8MX3/8F | RACCORD 3/8MX3/8F | ANSCHLUSS 3/8MX3/8F |
| 5 | 10254 | FILTRO ACCIAIO 160-200 MESH | STEEL FILTER 160-200 MESH | FILTRE EN ACIER 160-200 MESH | STAHLFILTER 160-200 MESH |
| 6 | 12312 | GUARNIZIONE OR FILTRO AEA 10X2 | O RING FOR WATER REFILL FILTER 10X2 | JOINT OR FILTRE AUT.REM.EAU 10X2 | OR DICHTUNG FUR WASSERFULLUNGFILTER |
| 7 | 20361 | VALVOLA S.C.N.R. REGOLABILE | ADJUSTABLE S.C.N.R. VALVE | SOUPAPE S.C.N.R. REGLABLE | EINSTELLBARES VENTIL S.N.C.R. |
| 8 | 52000425 | TUB.D-6 L.115 GL26 | TUBE D-6 L.115 GL26 | TUYAU D-6 L.115 GL26 | ROHR D-6 L.115 GL26 |
| 9 | 52000359 | TUB.D-6 L.180 DV 44/B | D-6 180 L PIPE DV 44/B | TUYAU D-6 L.180 DV 44/B | ROHR D-6 L.180 DV 44/B |
| 10 | 25686 | RACCORDO 1/4X1/4 FLANGIA | CONNECTOR 1/4 X 1/4 FLANGE | RACCORD 1/4 X 1/4 BRIDE | ANSCHLUSS 1/4X1/4 FLANSCH |
| 11 | 12153 | GUARNIZIONE CU 1/4 17X13.3X1.5 | 1/4 17X13.3X1.5 COPPER SEAL | JOINT CUIVRE 1/4 17X13.3X1.5 | KUPFERDICHTUNG 1/4 17X13.3X1.5 |
| 12 | 12329 | GUARNIZIONE OR 2031 VITON 7.66XW1.78 | O RING 2031 VITON 7.66XW1.78 | JOINT OR 2031 VITON 7.66X1.78 | OR DICHTUNG 2031 VITON 7.66XW1.78 |
| 13 | 18126 | DOSATORE FLOWMETER FH 12 909602 | FH 12 907613 FLOWMETER DOSER | DOSEUR FLOWMETER FH 12 907613 | DOSIERER FLOWMETER FH 12 907613 |
| 14 | 25708 | RACCORDO 1/4X1/4 | 1/4X1/4 FITTING | RACCORD 1/4X1/4 | ANSCHLUSS 1/4X1/4 |
| 15 | 52001350 | TUB.D-6 L.105 2GR SAE LD 41 | D-6 105 L PIPE 2GR SAE LD 41 | TUYAU D-6 L.105 2GR SAE LD 41 | ROHR D-6 L.105 2GR SAE LD 41 |
| 16 | 52000267 | TBS.D-8 L.100 DV 68 RUBINETTO SCARICO | D-8 100 L PIPE DV 68 | TUYAU D-8 L.100 DV 6 | ROHR D. 8 L.100 DV 6 |
| 17 | 52000365 | TBS.D-8 L.280 DV 47/A | TUBE D-8 L.280 DV47/A | TUYAU D-8 L.280 DV47/A | ROHR D-8 L.280 DV47/A |
| 18 | 52001513 | TBS.D-10 L.320 AR 63/A POMPA | TUBE D-10 L.320 AR 63/A | TUYAU D-10 L.320 AR 63/A | ROHR D-10 L.320 AR 63/A |
| 19 | 52002722 | TUB.D-6 L.275 2GR AL W 13CALDATA | TUBE D-6 L.275 W 13 | TUYAU D-6 L.275 W 13 | ROHR D-6 L.275 W 13 |
| 20 | 52000426 | TUB.D-6 L.550 GL27 | TUBE D-6 L.550 GL27 | TUYAU D-6 L.550 GL27 | ROHR D-6 L.550 GL27 |
| 21 | 52003303 | TUBO D-6 L.600 CW 4 | TUBE D-6 L.600 CW 4 | TUYAU D-6 L.600 CW 4 | ROHR D-6 L.600 CW 4 |
| 22 | 25705 | RACCORDO FILTRO AEA | AUT.WATER REFILL FILTER CONNECTOR | RACCORD FILTRE REM.EAU.AUT. | FILTERFITTING AUT.WASSERFULLUNG |
| 23 | 23217 | RACCORDO GOMITO D10 3/8X1/8 CON AEA | FITTING D10 3/8X1/8 WITH AWI F 1.2 | RACCORD GOMME D10 3/8X1/8 AEE F 1.2 | FITTING D10 3/8X1/8 MIT A.W.F. 1.2 |
| 24 | 12155 | GUARNIZIONE CU 8.5X5X1 | COPPER GASKET 8.5X5X1 | JOINT CU 8.5X5X1 | CU DICHTUNG 8.5X5X1 |
| 25 | 10251001 | FILTRO IN ACCIAIO D-8 SP.0,3 | STEEL FILTER D-8 - 0.3 THICK | FILTRE EN ACIER D-8 EP.0,3 | STAHLFILTER D-8 SP.0,3 |
| 26 | 18162002 | ELETTRORVALVOLA 230V AEA VDE | SOL.VALVE WATER REFILL 230V PARKER | ELECTROVANNE REA 230V PARKER | ELEKTROVENTIL AWZ 230V PARKER |
| 26 | 18195 | ELETTRORVALVOLA 120V VE140.2IR VDE/UL | SOLENOID VALVE SCEM 2/2 110V 60HZ | ELECTROVANNE SCEM 2/2 110V 60HZ | MAGNETVENTIL SCEM 2/2 110V 60HZ |
| 27 | 23201 | RACCORDO OTT.GOM.D6.2 1/4X1/8-AEA | ELBOW BRASS CONNECTOR D6.2 1/4X1/8 | RACCORD COUDE LAITON D6.2 1/4X1/8 | MESSING-ANSCHLUSS D6.2 1/4X1/8 |
| 28 | 52000366 | TUB.D-6 L.585 DV 43/A | TUBE D-6 L.585 DV 43/A | TUYAU D-6 L.585 DV 43/A | ROHR D-6 L.585 DV 43/A |
| 29 | 25356 | CONTRODADO OTTONE 3/8 | BRASS LOCK NUT 3/8 | CNTRE-ECROU LAITON 3/8 | MESSING-GEGENMUTTER 3/8 |
| 30 | 25651 | RONDELLA OTTONE 3/8 | BRASS WASHER 3/8 | RONDELLE LAITON 3/8 | MESSINGSCHIEBE 3/8 |
| 31 | 43067 | RACCORDO "L" 3/8 GASX3/8 GAS L.30 | 3/8 GAS X 3/8 GAS L FITTING L.30 | RACCORD L 3/8 GAZX3/8 GAZ L.30 | ANSCHLUSS L 3/8 GAS X 3/8 GAS L. 30 |
| 32 | 15502 | VASCHETTA SCARICO ROTONDA D 80 | ROUND DRAIN BASIN D.80MM | CUVE A VIDANGER RONDE D.80MM | RUNDE ABFLUSSCHALE D.80MM |



| Pos | Cod. | Denominazione - IT - | Denomination - GB - | Denomination - FR - | Denomination - DE - |
|-----|----------|---------------------------------------|-------------------------------------|-------------------------------------|-------------------------------------|
| 1 | 18126 | DOSATORE FLOWMETER FH 12 909602 | FH 12 907613 FLOWMETER DOSER | DOSEUR FLOWMETER FH 12 907613 | DOSIERER FLOWMETER FH 12 907613 |
| 2 | 12329 | GUARNIZIONE OR 2031 VITON 7.66XW1.78 | O RING 2031 VITON 7.66XW1.78 | JOINT OR 2031 VITON 7.66X1.78 | OR DICHTUNG 2031 VITON 7.66XW1.78 |
| 3 | 10254 | FILTRO ACCIAIO 160-200 MESH | STEEL FILTER 160-200 MESH | FILTRE EN ACIER 160-200 MESH | STAHLFILTER 160-200 MESH |
| 4 | 12153 | GUARNIZIONE CU 1/4 17X13.3X1.5 | 1/4 17X13.3X1.5 COPPER SEAL | JOINT CUIVRE 1/4 17X13.3X1.5 | KUPFERDICHTUNG 1/4 17X13.3X1.5 |
| 5 | 25708 | RACCORDO 1/4X1/4 | 1/4X1/4 FITTING | RACCORD 1/4X1/4 | ANSCHLUSS 1/4X1/4 |
| 6 | 25686 | RACCORDO 1/4X1/4 FLANGIA | CONNECTOR 1/4 X 1/4 FLANGE | RACCORD 1/4 X 1/4 BRIDE | ANSCHLUSS 1/4X1/4 FLANSCH |
| 7 | 52000320 | TBS.D-8 L.215 DV 2/A | D-8 215 L PIPE DV 2/A | TUYAU D-8 L.215 DV 2/ | ROHR D. 8 L.215 DV 2/ |
| 7 | 52000322 | TBS.D-8 L.440 DV 29/A | D-8 445 L PIPE DV 29/A | TUYAU D-8 L.445 DV 29/ | ROHR D. 8 L.445 DV 29/ |
| 7 | 52000335 | TBS.D-8 L.680 DV 57/A SCNR > DOSATORE | D-8 680 L PIPE DV 57/A | TUYAU D-8 L.680 DV 57/ | ROHR D. 8 L.680 DV 57/ |
| 8 | 52000202 | TBS.D-6 L.65 DV 3 | D-6 65 L PIPE DV 3 | TUYAU D-6 L.65 DV | ROHR D. 6 L.65 DV |
| 9 | 20361 | VALVOLA S.C.N.R. REGOLABILE | ADJUSTABLE S.C.N.R. VALVE | SOUPAPE S.C.N.R. REGLABLE | EINSTELLBARES VENTIL S.N.C.R. |
| 10 | 52000033 | TUB.D-8 L.575 2-4GR EL.RIO A 14/DB | TUBE D-8 L.575 | TUYAU D-8 L.575 | ROHR D-8 L.575 |
| 10 | 52001351 | TUB.D-6 L.170 2GR SAE LD 42 | TUBE D-6 L.170 2GR SAE LD 42 | TUYAU D-6 L.170 2GR SAE LD 42 | ROHR D-6 L.170 2GR SAE LD 42 |
| 10 | 52002898 | TUBO D-6 L.50 3 W169 | D-6 50 L3 PIPE W169 | TUYAU D-6 L.50 3 W1 | ROHR D. 6 L.50 3 W1 |
| 11 | 12312 | GUARNIZIONE OR FILTRO AEA 10X2 | O RING FOR WATER REFILL FILTER 10X2 | JOINT OR FILTRE AUT.REM.EAU 10X2 | OR DICHTUNG FUR WASSERFULLUNGFILTER |
| 12 | 25732100 | RACCORDO 3/8MX3/8F + SEDE FILTRO | FITTING 3/8MX3/8F | RACCORD 3/8MX3/8F | ANSCHLUSS 3/8MX3/8F |
| 13 | 56136004 | ASSIEME BLOCCO DISTRIBUZ.2-3-4GR | DISTRIBUTION BLOCK 2-3-4GR | BLOC DISTRIBUTION 2-3-4GR | BLOCK VERTEILER 2-3-4GR |
| 14 | 25782 | TAPPO FEMMINA 1/4 GAS | 1/4 GAS FEMALE TAP | BOUCHON FEMELLE 1/4 GAZ | INNENANSCHLUSSSTÖPSEL 1/4 GAS |
| 15 | 12007 | GUARNIZIONE KLINGERSIL4400 | KLINGERSIL4400 COPPER SEAL | JOINT KLINGERSIL4400 POUR BOUCHON | DICHTUNG KLINGER SIL4400 X DECKEL |
| 16 | 52000367 | TBS.D-8 L.150 DV 1/D | TUBE D-8 L.150 DV1/D | TUYAU D-8 L.150 DV1/D | ROHR D-8 L.150 DV1/D |
| 17 | 52000205 | TUB.D-6 L.230 DV 6 | D-6 230 L PIPE DV 6 | TUYAU D-6 L.230 DV | ROHR D. 6 L.230 DV |
| 18 | 52000321 | TBS.D-6 L.255 DV 5/A | D-6 255 L PIPE DV 5/A | TUYAU D-6 L.255 DV 5/ | ROHR D. 6 L.255 DV 5/ |
| 19 | 25705 | RACCORDO FILTRO AEA | AUT.WATER REFILL FILTER CONNECTOR | RACCORD FILTRE REM.EAU.AUT. | FILTERFITTING AUT.WASSERFULLUNG |
| 20 | 20354 | VALVOLA CHIUSURA AEA | PRESSURE RELEASE TAP BULK UNIT | CLAPET FERMETURE AUT.ARRIVEE EAU | ABSPERRVENTIL X AUT.WASSERZUFUHR |
| 21 | 23201 | RACCORDO OTT.GOM.D6.2 1/4X1/8-AEA | ELBOW BRASS CONNECTOR D6.2 1/4X1/8 | RACCORD COUDE LAITON D6.2 1/4X1/8 | MESSING-ANSCHLUSS D6.2 1/4X1/8 |
| 22 | 77604 | COPRIELETTRIVALVOLA AEA WO/WN | AEA SOLENOID VALVE COVER | COUVRE-ELECTROVANNE AEA | ABDECKUNG ELEKTROVENTIL AEA |
| 23 | 18162002 | ELETTRIVALVOLA 230V AEA VDE | SOL.VALVE WATER REFILL 230V PARKER | ELECTROVANNE REA 230V PARKER | ELEKTROVENTIL AWZ 230V PARKER |
| 23 | 18195 | ELETTRIVALVOLA 120V VE140.2IR VDE/UL | SOLENOID VALVE SC2M 2/2 110V 60HZ | ELECTROVANNE SC2M 2/2 110V 60HZ | MAGNETVENTIL SC2M 2/2 110V 60HZ |
| 24 | 10251001 | FILTRO IN ACCIAIO D-8 SP.0,3 | STEEL FILTER D-8 - 0.3 THICK | FILTRE EN ACIER D-8 EP.0,3 | STAHLFILTER D-8 SP.0,3 |
| 25 | 12155 | GUARNIZIONE CU 8.5X5X1 | COPPER GASKET 8.5X5X1 | JOINT CU 8.5X5X1 | CU DICHTUNG 8.5X5X1 |
| 26 | 23217 | RACCORDO GOMITO D10 3/8X1/8 CON AEA | FITTING D10 3/8X1/8 WITH AWI F 1.2 | RACCORD GOMME D10 3/8X1/8 AEE F 1.2 | FITTING D10 3/8X1/8 MIT A.W.F. 1.2 |
| 27 | 15502 | VASCETTA SCARICO ROTONDA D 80 | ROUND DRAIN BASIN D.80MM | CUVE A VIDANGER RONDE D.80MM | RUNDE ABFLUSSCHALE D.80MM |
| 28 | 52000267 | TBS.D-8 L.100 DV 68 RUBINETTO SCARICO | D-8 100 L PIPE DV 68 | TUYAU D-8 L.100 DV 6 | ROHR D. 8 L.100 DV 6 |
| 28 | 52000362 | TBS.D-8 L.255 DV 68/A | TUBE D-8 L.255 DV 68/A | TUYAU D-8 L.255 DV 68/A | ROHR D-8 L.255 DV 68/A |
| 28 | 52000363 | TBS.D-8 L.380 DV 68/B | TUBE D-8 L.380 DV 68/B | TUYAU D-8 L.380 DV 68/B | ROHR D-8 L.380 DV 68/B |
| 29 | 52000361 | TBS.D-8 L.135 DV 16/A | TUBE D-8 L.135 DV 16/A | TUYAU D-8 L.135 DV 16/A | ROHR D-8 L.135 DV 16/A |
| 30 | 52001513 | TBS.D-10 L.320 AR 63/A POMPA | TUBE D-10 L.320 AR 63/A | TUYAU D-10 L.320 AR 63/A | ROHR D-10 L.320 AR 63/A |
| 31 | 52002722 | TUB.D-6 L.275 2GR AL W 13CALDAIA | TUBE D-6 L.275 W 13 | TUYAU D-6 L.275 W 13 | ROHR D-6 L.275 W 13 |
| 32 | 25356 | CONTRODADO OTTONE 3/8 | BRASS LOCK NUT 3/8 | CONTRE-ECROU LAITON 3/8 | MESSING-GEGENMUTTER 3/8 |
| 33 | 25651 | RONDELLA OTTONE 3/8 | BRASS WASHER 3/8 | RONDELLE LAITON 3/8 | MESSINGSCHIEBE 3/8 |
| 34 | 43067 | RACCORDO "L" 3/8 GASX3/8 GAS L.30 | 3/8 GAS X 3/8 GAS L FITTING L.30 | RACCORD L 3/8 GAZX3/8 GAZ L.30 | ANSCHLUSS L 3/8 GAS X 3/8 GAS L. 30 |



| Pos | Cod. | Denominazione - IT - | Denomination - GB - | Denomination - FR - | Denomination - DE - |
|-----|----------|-----------------------------------|-------------------------------------|-------------------------------------|--|
| 1 | 53001 | CORPO LIVELLO INFERIORE | LOWER LEVEL CONNECTOR | CORPS DE NIVEAU INFERIEUR | UNTERNIVEAUKORPER |
| 2 | 25651 | RONDELLA OTTONE 3/8 | BRASS WASHER 3/8 | RONDELLE LAITON 3/8 | MESSINGSCHEIBE 3/8 |
| 3 | 25356 | CONTRODADO OTTONE 3/8 | BRASS LOCK NUT 3/8 | CONTRE-ECROU LAITON 3/8 | MESSING-GEGENMUTTER 3/8 |
| 4 | 52000004 | TBS.D-10 L.155 1GR M.I. A1/BE | TUBE D-10 L.155 1GR M.I. | TUYAU D-10 L.155 1GR M.I. | ROHR D-10 L.155 1GR M.I. |
| 5 | 44002 | COPRILIVELLO VERNICIATO BIANCO | LEVEL INDICATOR COVER PAINTED WHITE | COUVRE-NIVEAU LAQUE BLANC | NIVEAUDECKEL |
| 6 | 52000007 | TBS.D-10 L.135 1GR A2/B CALDAIA | TUBE D-10 L. 135 1GR A2/B | TUYAU D-10 L.135 1GR A2/B | ROHR D-10 L. 135 1GR A2/B |
| 7 | 53002 | CORPO LIVELLO SUPERIORE | UPPER LEVEL BODY | CORPS DE NIVEAU SUPERIEUR | OBERNIVEAUKORPER |
| 8 | 12200 | GUARNIZ. GOMMA X LIVELLO 16X10X8 | SIGHT GLASS RUBBER GASKET 16X10X8 | JOINT CAOUTCHOUC DE NIVEAU 16X10X8 | GUMMIDICHTUNG FÜR NIVEAU 16X10X8 ABGEKAN |
| 9 | 25652 | RONDELLA OTTONE D17.8 | BRASS WASHER D.17.8 | RONDELLE LAITON D.17.8 | MESSING-SCHEIBE D.17.8 |
| 10 | 25383 | DADO OTTONE M20X1.5 | BRASS NUT 20X1.5 | ECROU LAITON 20X1.5 | MESSING-MUTTER 20X1.5 |
| 11 | 21300 | TUBO VETRO PIREX LIVELLO 11X8X170 | PYREX GLASS LEVEL TUBE 11X8X170 | TUBE NIVEAU EN VERRE PYREX 11X8X170 | NIVEAU GLASROHR 11X8X170 |
| 12 | 15300 | PALLINA LIVELLO D7 | LEVEL-INDICATING BALL D6.5 | FLOTTEUR NIVEAU D'EAU D6.5 | KUGEL DES NIVEAUANZEIGER D6.5 |
| 13 | 12153 | GUARNIZIONE CU 1/4 17X13.3X1.5 | 1/4 17X13.3X1.5 COPPER SEAL | JOINT CUIVRE 1/4 17X13.3X1.5 | KUPFERDICHTUNG 1/4 17X13.3X1.5 |
| 14 | 25780 | TAPPO MASCHIO OTTONE 1/4 | BRASS MALE CAP 1/4 | BOUCHON MALE LAITON 1/4 | MESSING-STOPFEN 1/4 |
| 15 | 56001 | ASSIEME TUBO LIVELLO | LEVEL TUBE UNIT | ENSEMBLE TUBE DE NIVEAU | ROHRSATZ FÜR NIVEAU |
| 16 | 52001493 | TBS.D-10 L.155 AR 112 | TUBE D-8 L.485 | TUYAU D-8 L.485 | ROHR D-8 L.485 |
| 17 | 20354 | VALVOLA CHIUSURA AEA | PRESSURE RELEASE TAP BULK UNIT | CLAPET FERMETURE AUT.ARRIVEE EAU | ABSPERRVENTIL X AUT.WASSERZUFUHR |



| Pos | Cod. | Denominazione - IT - | Denomination - GB - | Denomination - FR - | Denomination - DE - |
|-----|----------|--------------------------------------|-------------------------------------|-------------------------------------|-------------------------------------|
| 1 | 25356 | CONTRODADO OTTONE 3/8 | BRASS LOCK NUT 3/8 | CONTRE-ECROU LAITON 3/8 | MESSING-GEGENMUTTER 3/8 |
| 2 | 25651 | RONDELLA OTTONE 3/8 | BRASS WASHER 3/8 | RONDELLE LAITON 3/8 | MESSINGSCHEIBE 3/8 |
| 3 | 10701 | SPINA ELASTICA BRUNITA 5X20 | BURNISHED ROLL PIN 5X20 | FICHE ELASTIQUE BRUNIE 5X20 | BRÜNIERTER ELASTISCHER STECKER 5X20 |
| 4 | 25315 | ASTINA X POMPA H2O 8X35.6 | WATER PUMP SPINDLE 8X35.6 | TIGE POMPE EAU 8X35.6 | STANGE FÜR WASSERPUMPE 8X35.6 |
| 5 | 10002 | ANELLO DI ARRESTO INOX J 16 DIN472 | STAINLESS CIRCLIP J 16 | CIRCLIP INOX J 16 | STAHLHALTERING J 16 DIN472 |
| 6 | 25653 | RONDELLA X ASTINA D.EST. 15.4 | SPINDLE WASHER 15.4 | RONDELLE POUR TIGE 15.4 | SCHEIBE F. STANGE 15.4 |
| 7 | 12205 | GUARNIZIONE GOMMA GACO DE 056 | GACO RUBBER GASKET DE 056 | JOINT EN CAOUTCHOUC GACO DE 056 | GACO GUMMIDICHTUNG DE 056 |
| 8 | 25202 | LEVA POMPA ENTRATA H2O AD "S" FINITA | PUMP LEVER WATER REFILL | LEVIER POMPE REMPLISSAGE EAU | PUMPENHEBEL WASSERFULLUNG |
| 9 | 53004 | CORPO POMPA | PUMP BODY | CORPS POMPE | PUMPENKORPER |
| 10 | 12203 | GUARNIZIONE GOMMA 15X4X4 | RUBBER GASKET 15X4X4 | JOINT EN CAOUTCHOUC 15X4X4 | GUMMIDICHTUNG 15X4X4 |
| 11 | 25615 | PISTONCINO POMPA H2O | WATER PUMP JUMPER | PISTON POMPE EAU | KOLBEN FÜR WASSERPUMPE |
| 12 | 10451 | MOLLA PIST POMPA VALVOLA SC N2 (C) | PUMP-VALVE S.C.PISTON SPRING N2 (C) | RESSORT PISTON POMPE-VALVE S.C.N2 C | PUMPENVENTIL S.C.KOLBENFEDER N2 (C) |
| 13 | 12150 | GUARNIZ.CU POMPA / VALV.ESP. 25X18.2 | PUMP COPPER GASKET 25X18.2X2 | JOINT CU DE POMPE 25X18.2X2 | PUMPENDICHTUNG 25X18.2X2 |
| 14 | 25680 | RACCORDO POMPA 3/8XM18X1.5 | PUMP CONNECTOR 3/8 X M18 X 1.5 | RACCORD POMPE 3/8 X M18 X 1.5 | PUMPENANSCHLUSS 3/8XM18X1.5 |
| 15 | 12101 | GUARNIZIONE CU/ALIM 3/8 22X17X3 | 3/8 22X17X3 FEEDER/COPPER SEAL | JOINT CUIVRE/ALIM 3/8 22X17X3 | KUPFERDICHTUNG/SPEIS. 3/8 22X17X3 |
| 16 | 43030001 | RACCORDO INIETTORE 3/8FX3/8MX14F | 3/8FX3/8MX14F INJECTOR FITTING | RACC. INJECTEUR 3/8FX3/8MX14F | ANSCHLUSS EINSPRITZER 3/8FX3/8MX14F |
| 17 | 43020 | DISTANZIALE POMPA | PUMP SPACER | ENTRETOISE POMPE | PUMPENENTFERNUNGSSTUCK |
| 18 | 23202 | RACCORDO GOM.D8.2 3/8X1/4 CON | ELBOW BRASS CONNECTOR D8.2 3/8X1/4 | RACCORD COUDE LAITON D8.2 3/8X1/4 | MESSING-ANSCHLUSS D8.2 3/8X1/4 |
| 19 | 61014 | ASSIEME POMPA H2O ER+AEA (-POMELLO) | H2O DISTR.+AEA PUMP ASS.(-KNOB) | ENS.POMPE EAU DISTRI.+AEA BOUTON | SET PUMPE H2O ABGABE+AEA -KNAUF |
| 20 | 61006 | ASS.POMPA H2O ER/AL+AEA AR/W(-POM.) | UNIT PUMP + AUT.WATER REFILL ARG/WE | ENSEMBLE POMPE + R.E.A ARG/WE | PUMPENSATZ + A.W.F. ARG.WE |
| 21 | 15400 | POMELLO LEVETTA POMPA I.147/40-M8 | MANUAL FILL LEVER KNOB I.147/40-M8 | BOUTON LEVIER POMPE I.147/40-M8 | KNAUF PUMPENHEBEL I.147/40-M8 |

MOT

INDICE - INDEX - SOMMAIRE - VERZEICHNIS

MOT-01

Motopompa - Motor pump
Motopompe - Motor pump **CMA**

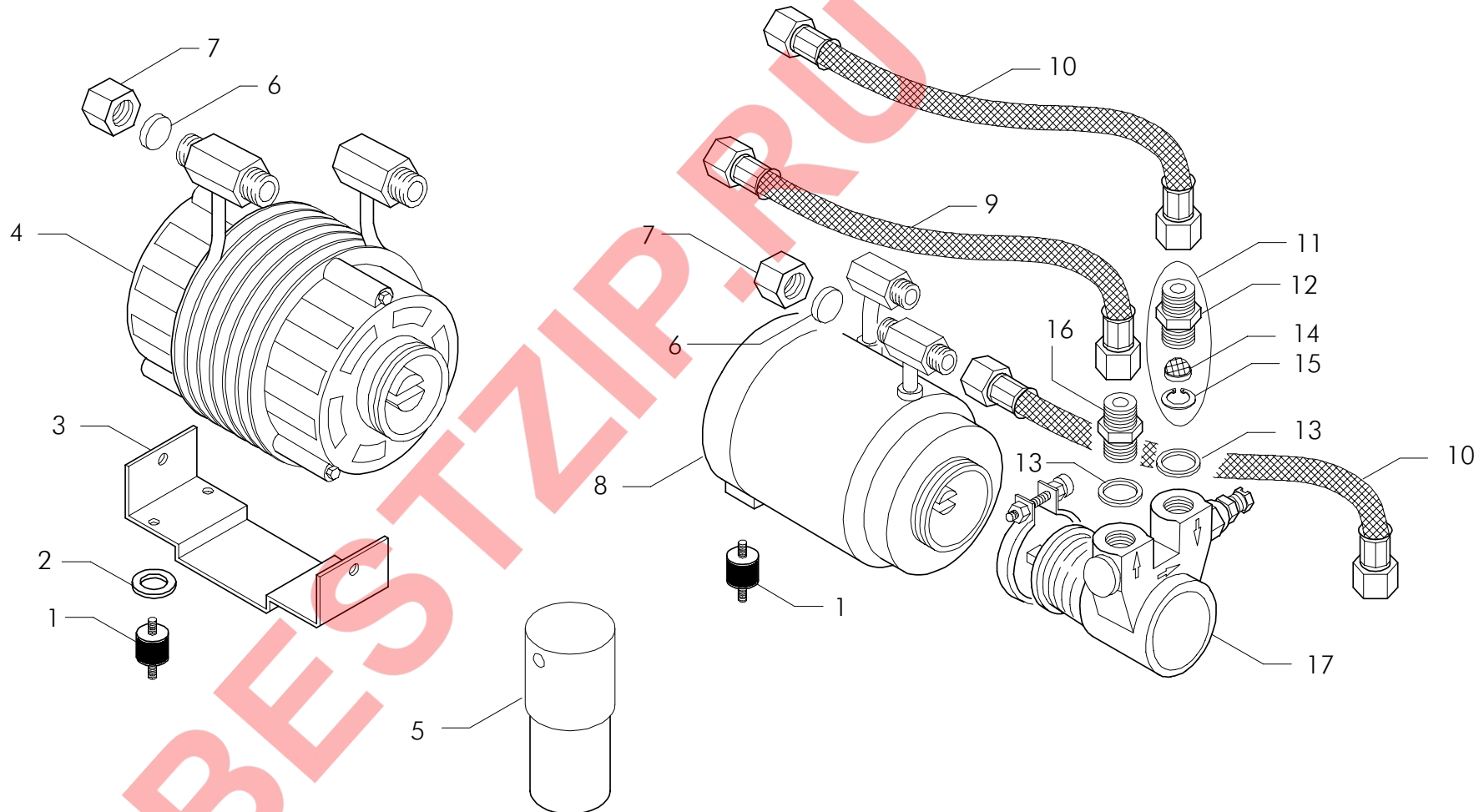
MOT-02

Motopompa - Motor pump
Motopompe - Motor pump **COMPATTA - ECO**

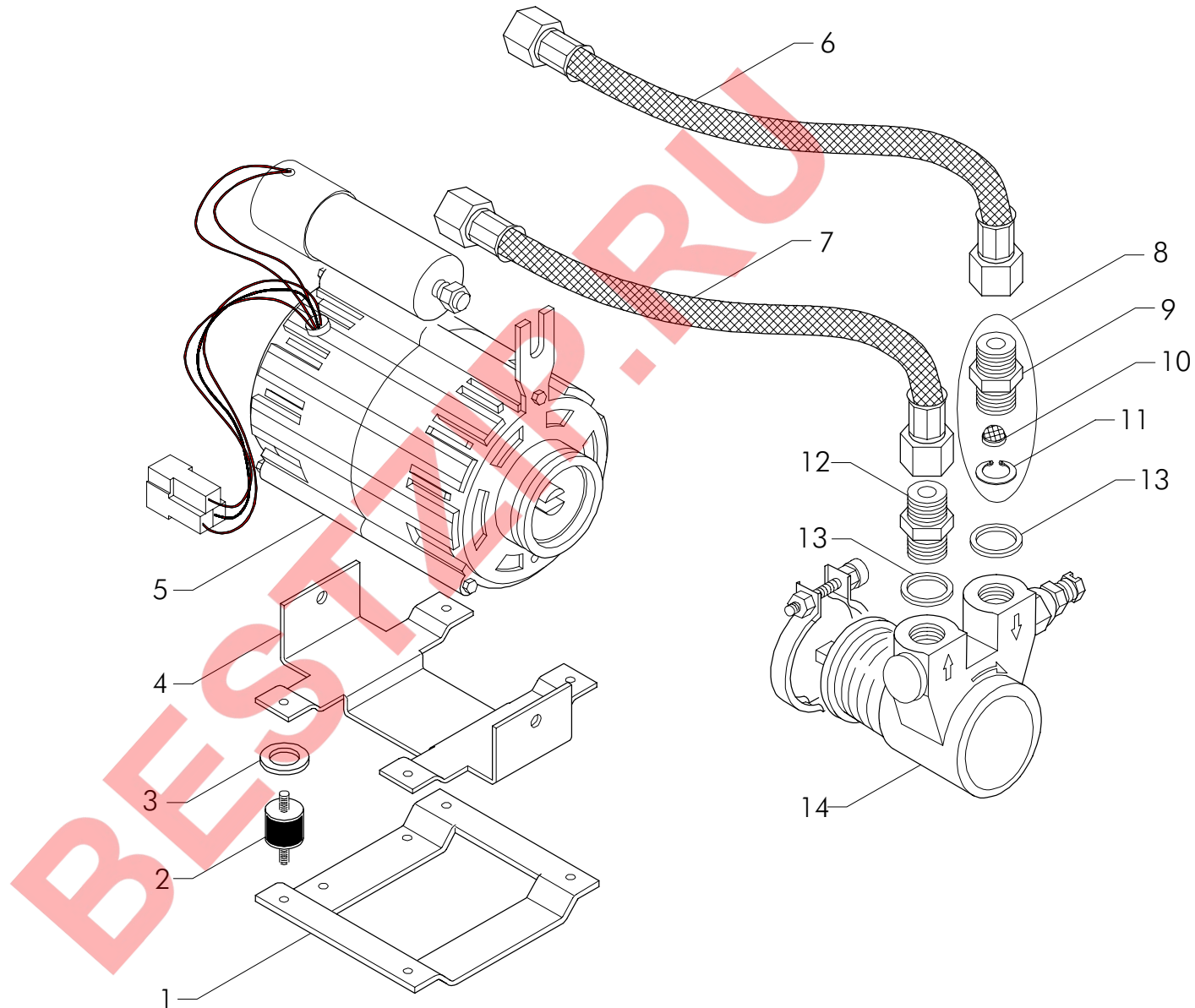
MOT-03

Motopompa - Motor pump
Motopompe - Motor pump **CK/CKE - CKX/CKXE**

*Motopompa
Motor pump
Motopompe
Motor pump*

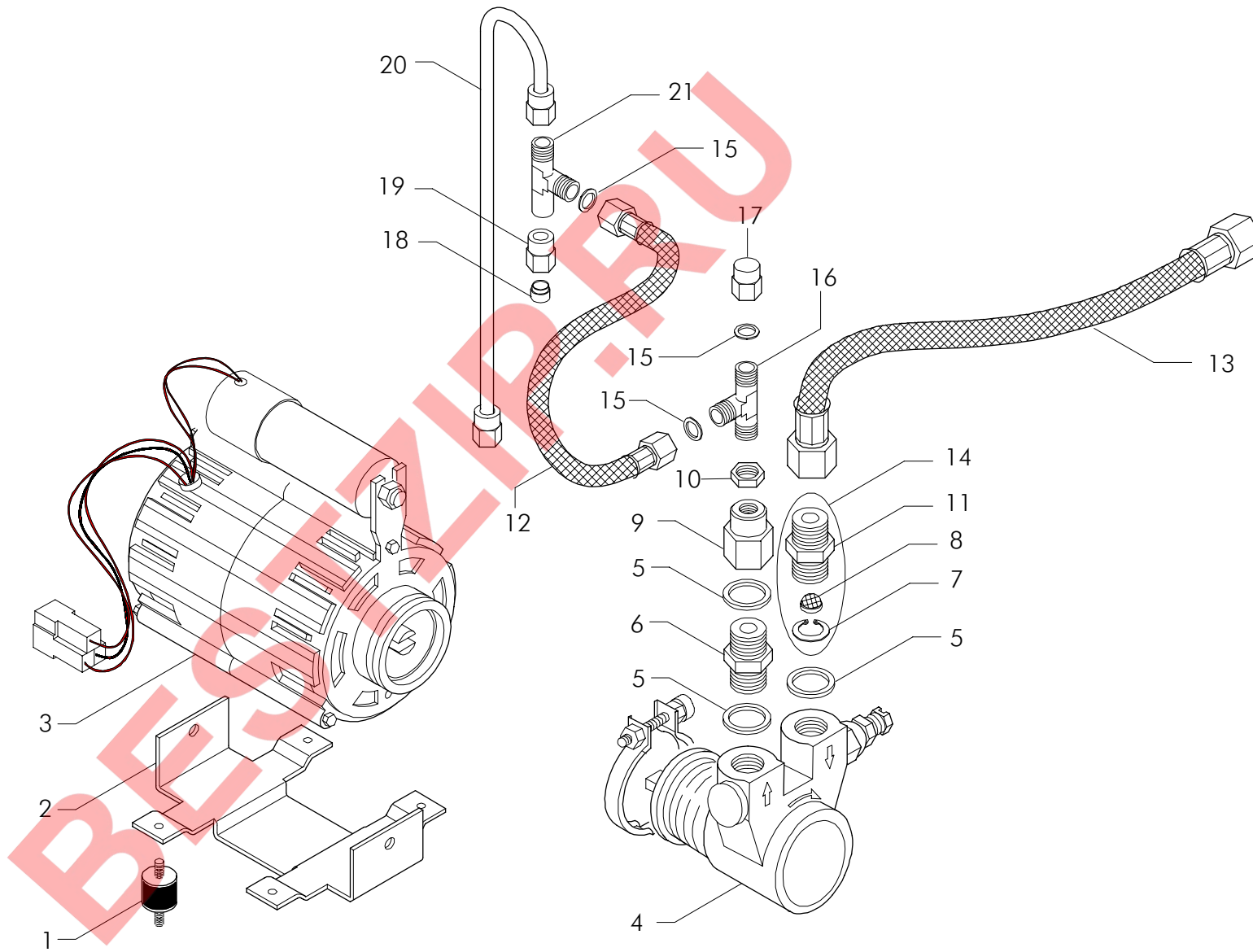


| Pos | Cod. | Denominazione - IT - | Denomination - GB - | Denomination - FR - | Denomination - DE - |
|-----|----------|---------------------------------------|--------------------------------------|---|--------------------------------------|
| 1 | 15105 | GOMMA AMMORTIZZATORE MOTORE RAF.H2O | RUBBER FOR WATER COOLED MOTOR ZEC. | CAOUTCHOUC POUR MOTEUR REFROID.EAU ZEC. | GUMMI X WASSERGEKÜHLTER MOTOR ZEC. |
| 2 | 23265 | RONDELLA GREMB. INOX 4X12 UNI 6593 | STAINLESS WASHER 4X12 UNI 6593 | RONDELLE INOX 4X12 UNI 6593 | STAHLSCHEIBE 4X12 UNI 6593 |
| 3 | 78174 | SUPPORTO MOTORE INCORPORATO R.P.M. | MOTOR BEAR. RPM | SUPPORT MOT. RPM | EINGEBAUTER MOTORHALTER RPM |
| 4 | 56406 | MOTORE RPM 230V 50/60 R.H2O ASSIEME | MOTOR RPM 230V 50/60HZ H2O | MOTEUR RPM 230V 50/60HZ H2O | MOTOR RPM 230V 50/60HZ H2O |
| 4 | 56407 | MOTORE RPM 120V 60HZ R.H2O ASSIEME | MOTOR RPM 120V 60HZ H2O | MOTEUR RPM 120V 60HZ H2O | MOTOR RPM 120V 60HZ H2O |
| 5 | 19050 | CONDENSATORE MOTORE 220V 10MF | MOTOR CAPACITOR 220V 10MF | CONDENSATEUR MOTEUR 220V 10MF | MOTORKONDENSATOR 220V 10MF |
| 5 | 19051 | CONDENSATORE MOTORE 110V 20MF | MOTOR CAPACITOR 110V 20MF | CONDENSATEUR MOTEUR 110V 20MF | MOTORKONDENSATOR 110V 20MF |
| 5 | 19062 | CONDENSATORE MOTORE 230V6UF Y001400 | MOTOR CAPACITOR 230V 6UF Y001400 | CONDENSATEUR MOTEUR 230V6UF Y001400 | KONDENSATOR MOTOR 230V 6UF Y001400 |
| 6 | 12007 | GUARNIZIONE KLINGERSIL4400 | KLINGERSIL4400 COPPER SEAL | JOINT KLINGERSIL4400 POUR BOUCHON | DICHTUNG KLINGER SIL4400 X DECKEL |
| 7 | 25782 | TAPPO FEMMINA 1/4 GAS | 1/4 GAS FEMALE TAP | BOUCHON FEMELLE 1/4 GAZ | INNENANSCHLUSSSTÖPSEL 1/4 GAS |
| 8 | 56401 | MOTORE ZEC 120V 60HZ R.H2O ASSIEME | MOTOR ZEC 120V 60HZ H2O | MOTEUR ZEC 120V 60HZ H2O | MOTOR ZEC 120V 60HZ H2O |
| 8 | 56402 | MOTORE ZEC 230V 50/60HZ R.H2O ASSIEME | MOTOR ZEC 230V 50/60HZ H2O | MOTEUR ZEC 230V 50/60HZ H2O | MOTOR ZEC 230V 50/60HZ H2O |
| 9 | 30403 | TUBOFLEX 3/8FF P.GOMMA CON. L33 NI | 3/8 FEMALE FLEX PIPE CONICAL HOSE F | TUYAU FLEX 3/8 FF PORTE-TUYAU | SCHLAUCH 3/8 AUFNAHMETÜR GUMMI KONI |
| 10 | 30404 | TUBOFLEX 3/8FF P.GOMMA CON. L45 NI | 3/8 FEMALE FLEX PIPE CONICAL HOSE F | TUYAU FLEX 3/8 FF PORTE-TUYAU | SCHLAUCH 3/8 AUFNAHMETÜR GUMMI KONI |
| 11 | 56116 | RACCORDO 3/8+3/8 MOTOPOMPA ASSIEME | CONNECTOR 3/8+3/8 PUMP ASSEMBLY | RACCORD 3/8 + 3/8 ENS. MOTOPOMPPE | ANSCHLUSS 3/8 + 3/8 MOTORP. ZUSAMMEN |
| 12 | 25732 | RACCORDO 3/8X3/8 + SEDE FILTRO | 3/8X3/8 FITTING + FILTER HOUSING | RACCORD 3/8X3/8 + LOG. FILTRE | ANSCHLUSS 3/8X3/8 + FILTERSITZ |
| 13 | 12154 | GUARNIZIONE CU 3/8 22X17X1.5 | 3/8 22X17X1.5 COPPER SEAL | JOINT CUIVRE 3/8 22X17X1.5 | KUPFERDICHTUNG 3/8 22X17X1.5 |
| 14 | 10254 | FILTRO ACCIAIO 160-200 MESH | STEEL FILTER 160-200 MESH | FILTRE EN ACIER 160-200 MESH | STAHLFILTER 160-200 MESH |
| 15 | 10005 | ANELLO DI ARRESTO INOX DIN472 D11 | DIN472 D11 STAINLESS STEEL STOP RING | ANNEAU DE BUTEE INOX DIN472 D11 | DRAHTSPRENGRING ROSTFREI DIN472 D11 |
| 16 | 25687 | RACCORDO 3/8X3/8 GAS | 3/8X3/8 GAS FITTING | RACCORD 3/8X3/8 GAZ | ANSCHLUSS 3/8X3/8 GAS |
| 17 | 26302 | POMPA PROCON CO 51509L PASSO 3/8GAS | CO 51509L PROCON PUMP, 3/8NPT PITCH | POMPE PROCON CO 51509L PAS 3/8NPT | PUMPE PROCON CO 51509L SCHRITT 3/8N |
| 17 | 26303 | POMPA PO 204 BY PASS ETL | PO 204 BY PASS PUMP ETL | POMPE PO 204 BY PASS ETL | PUMPE PO 204 BY PASS ETL |
| 17 | 26303001 | POMPA FLUID-O-TECH PO 104 NFS 3/8G | PUMP FLUID-O-TECH PO 104 NSF 3/8G | POMPE FLUID-O-TECH PO104 NFS 3/8G | PUMPE FLUID-O-TECH PO 104 NFS 3/8G |



| Pos | Cod. | Denominazione - IT - | Denomination - GB - | Denomination - FR - | Denomination - DE - |
|-----|----------|-------------------------------------|--------------------------------------|------------------------------------|--------------------------------------|
| 1 | 78174002 | SUPPORTO MOTORE | MOTOR PUMP BEAR. | SUPPORT MOT.POMPE | MOTOR PUMPE HEALTER |
| 2 | 15105 | GOMMA AMMORTIZZATORE MOTORE RAF.H2O | RUBBER FOR WATER COOLED MOTOR ZEC. | CAOUTCHOUC POUR MOTEUR REFROID.EAU | GUMMI X WASSERGEKÜHLTER MOTOR ZEC. |
| 3 | 23265 | RONDELLA GREMB. INOX 4X12 UNI 6593 | STAINLESS WASHER 4X12 UNI 6593 | RONDELLE INOX 4X12 UNI 6593 | STAHLSCHEIBE 4X12 UNI 6593 |
| 4 | 78174001 | SUPPORTO MOTORE INC. RPM | MOTOR SUPPORT | SUPPORT MOTEUR | EINGEBAUTER MOTORHALTER |
| 5 | 18303 | MOTORE R.P.M. 230V 120W | MOTOR R.P.M. 230V 120W | MOTEUR R.P.M. 230V 120W | MOTOR R.P.M. 230V 120W |
| 5 | 18304 | MOTORE R.P.M. 110V 120W | MOTOR R.P.M. 110V 120W | MOTEUR R.P.M. 110V 120W | MOTOR R.P.M. 110V 120W |
| 6 | 30403 | TUBOFLEX 3/8FF P.GOMMA CON. L33 NI | 3/8 FEMALE FLEX PIPE CONICAL HOSE F | TUYAU FLEX 3/8 FF PORTE-TUYAU | SCHLAUCH 3/8 AUFNAHMETÜR GUMMI KONI |
| 7 | 30404 | TUBOFLEX 3/8FF P.GOMMA CON. L45 NI | 3/8 FEMALE FLEX PIPE CONICAL HOSE F | TUYAU FLEX 3/8 FF PORTE-TUYAU | SCHLAUCH 3/8 AUFNAHMETÜR GUMMI KONI |
| 8 | 56116 | RACCORDO 3/8+3/8 MOTO Pompa ASSIEME | CONNECTOR 3/8+3/8 PUMP ASSEMBLY | RACCORD 3/8 + 3/8 ENS. MOTO Pompe | ANSCHLUSS 3/8 + 3/8 MOTORP. ZUSAMMEN |
| 9 | 25732 | RACCORDO 3/8X3/8 + SEDE FILTRO | 3/8X3/8 FITTING + FILTER HOUSING | RACCORD 3/8X3/8 + LOG. FILTRE | ANSCHLUSS 3/8X3/8 + FILTERSITZ |
| 10 | 10254 | FILTRO ACCIAIO 160-200 MESH | STEEL FILTER 160-200 MESH | FILTRE EN ACIER 160-200 MESH | STAHLFILTER 160-200 MESH |
| 11 | 10005 | ANELLO DI ARRESTO INOX DIN472 D11 | DIN472 D11 STAINLESS STEEL STOP RING | ANNEAU DE BUTEE INOX DIN472 D11 | DRAHTSPRENGRING ROSTFREI DIN472 D11 |
| 12 | 25687 | RACCORDO 3/8X3/8 GAS | 3/8X3/8 GAS FITTING | RACCORD 3/8X3/8 GAZ | ANSCHLUSS 3/8X3/8 GAS |
| 13 | 12154 | GUARNIZIONE CU 3/8 22X17X1.5 | 3/8 22X17X1.5 COPPER SEAL | JOINT CUIVRE 3/8 22X17X1.5 | KUPFERDICHTUNG 3/8 22X17X1.5 |
| 14 | 26303001 | POMPA FLUID-O-TECH PO 104 NFS 3/8G | PUMP FLUID-O-TECH PO 104 NSF 3/8G | POMPE FLUID-O-TECH PO104 NFS 3/8G | PUMPE FLUID-O-TECH PO 104 NFS 3/8G |

BESTM



Motopompa - Motor pump
Motopompe - Motor pump

CK/CKE - CKX/CKXE

MOT-03

rev. 00
05/2002

| Pos | Cod. | Denominazione - IT - | Denomination - GB - | Denomination - FR - | Denomination - DE - |
|-----|----------|--------------------------------------|--------------------------------------|------------------------------------|--------------------------------------|
| 1 | 15105 | GOMMA AMMORTIZZATORE MOTORE RAF.H2O | RUBBER FOR WATER COOLED MOTOR ZEC. | CAOUTCHOUC POUR MOTEUR REFROID.EAU | GUMMI X WASSERGEKÜHLTER MOTOR ZEC. |
| 2 | 78174001 | SUPPORTO MOTORE INC. RPM | MOTOR SUPPORT | SUPPORT MOTEUR | EINGEBAUTER MOTORHALTER |
| 3 | 18303 | MOTORE R.P.M. 230V 120W | MOTOR R.P.M. 230V 120W | MOTEUR R.P.M. 230V 120W | MOTOR R.P.M. 230V 120W |
| 3 | 18304 | MOTORE R.P.M. 110V 120W | MOTOR R.P.M. 110V 120W | MOTEUR R.P.M. 110V 120W | MOTOR R.P.M. 110V 120W |
| 4 | 26303002 | POMPA FLUID-O-TECH 50LT/H P0054 | FLUID-O-TECH PUMP | POMPE FLUID-O-TECH 50 LT/H P005 | PUMPE FLUID-O-TECH |
| 5 | 12154 | GUARNIZIONE CU 3/8 22X17X1.5 | 3/8 22X17X1.5 COPPER SEAL | JOINT CUIVRE 3/8 22X17X1.5 | KUPFERDICHTUNG 3/8 22X17X1.5 |
| 6 | 25687 | RACCORDO 3/8X3/8 GAS | 3/8X3/8 GAS FITTING | RACCORD 3/8X3/8 GAZ | ANSCHLUSS 3/8X3/8 GAS |
| 7 | 10005 | ANELLO DI ARRESTO INOX DIN472 D11 | DIN472 D11 STAINLESS STEEL STOP RING | ANNEAU DE BUTEE INOX DIN472 D11 | DRAHTSPRENGRING ROSTFREI DIN472 D11 |
| 8 | 10254 | FILTRO ACCIAIO 160-200 MESH | STEEL FILTER 160-200 MESH | FILTRE EN ACIER 160-200 MESH | STAHLFILTER 160-200 MESH |
| 9 | 25744 | RIDUZIONE 1/8FX3/8F V.N.R. | REDUCTION 1/8FX3/8F | REDUCTION 1/8FX3/8F | REDUKTION 1/8FX3/8F |
| 10 | 25395 | DADO 1/8 MANOMETRO | 1/8 NUT GAUGE | ECROU 1/8 MANOMETRE | MUTTER 1/8 MANOMETER |
| 11 | 25732 | RACCORDO 3/8X3/8 + SEDE FILTRO | 3/8X3/8 FITTING + FILTER HOUSING | RACCORD 3/8X3/8 + LOG. FILTRE | ANSCHLUSS 3/8X3/8 + FILTERSITZ |
| 12 | 30405 | TUBOFLEX 1/8FF P.GOMMA PIA. L19 NI | TUBOFLEX 1/8FF RUBBER-HOLDER L19 | TUBOFLEX 1/8FF PORTE-TUYAU L19 | TUBOFLEX 1/8FF GUMMI-HALTER L19 |
| 13 | 30408 | TUBOFLEX 3/8FF P.GOMMA CON. L150 NI | 3/8 FEMALE FLEX PIPE CONICAL HOSE F | TUYAU FLEX 3/8 FF PORTE-TUYAU | SCHLAUCH 3/8 AUFNAHMETÜR GUMMI KONI |
| 14 | 56116 | RACCORDO 3/8+3/8 MOTOPIOMPA ASSIEME | CONNECTOR 3/8+3/8 PUMP ASSEMBLY | RACCORD 3/8 + 3/8 ENS. MOTOPIOMPE | ANSCHLUSS 3/8 + 3/8 MOTORP. ZUSAMMEN |
| 15 | 12012 | GUARNIZIONE TEFLON 8.5X4X2 | GASKET TEFLON 8.5X4X2 | JOINT TEFLON 8.5X4X2 | DICHTUNG TEFLON 8.5X4X2 |
| 16 | 23211 | RACCORDO OTT."T" 1/8X1/8X1/8 30006 | BRASS CONNECTOR 'T' 1/8X1/8X1/8 | RACCORD LAITON "T" 1/8X1/8X1/8 | MESSING FITTING "T" 1/8X1/8X1/8 |
| 17 | 25790 | TAPPO 1/8 GAS FEMMINA | FEMALE CAP 1/8 GAS | BOUCHON FEMELLE 1/8 GAS | STOPFEN 1/8 GAS |
| 18 | 25800 | TERMINALE D6 | TERMINAL D6 | BORNE D6 | ENDVERSCHLUSS D6 |
| 19 | 25701 | RACC.MANOMETRO 1/8 FORO 6 | MANOMETER CONNECTOR 1/8 HOLE 6 | RACCORD MANOMETRE 1/8 TROU 6 | MANOMETERFITTING 1/8 LOCH 6 |
| 20 | 52002053 | TUB.D-6 L.200 CO 43 RACC."T" ORIENT. | TUBE D-6 L.200 | TUYAU D-6 L.200 | ROHR D-6 L.200 |
| 21 | 23195 | RACCORDO OTT."T" ORIENT. S03600 | BRASS FITTING 'T' S03600-A-6-6 | RACCORD LAITON 'T' S03600-A-6-6 | MESSING FITTING 'T' S03600-A-6-6 |