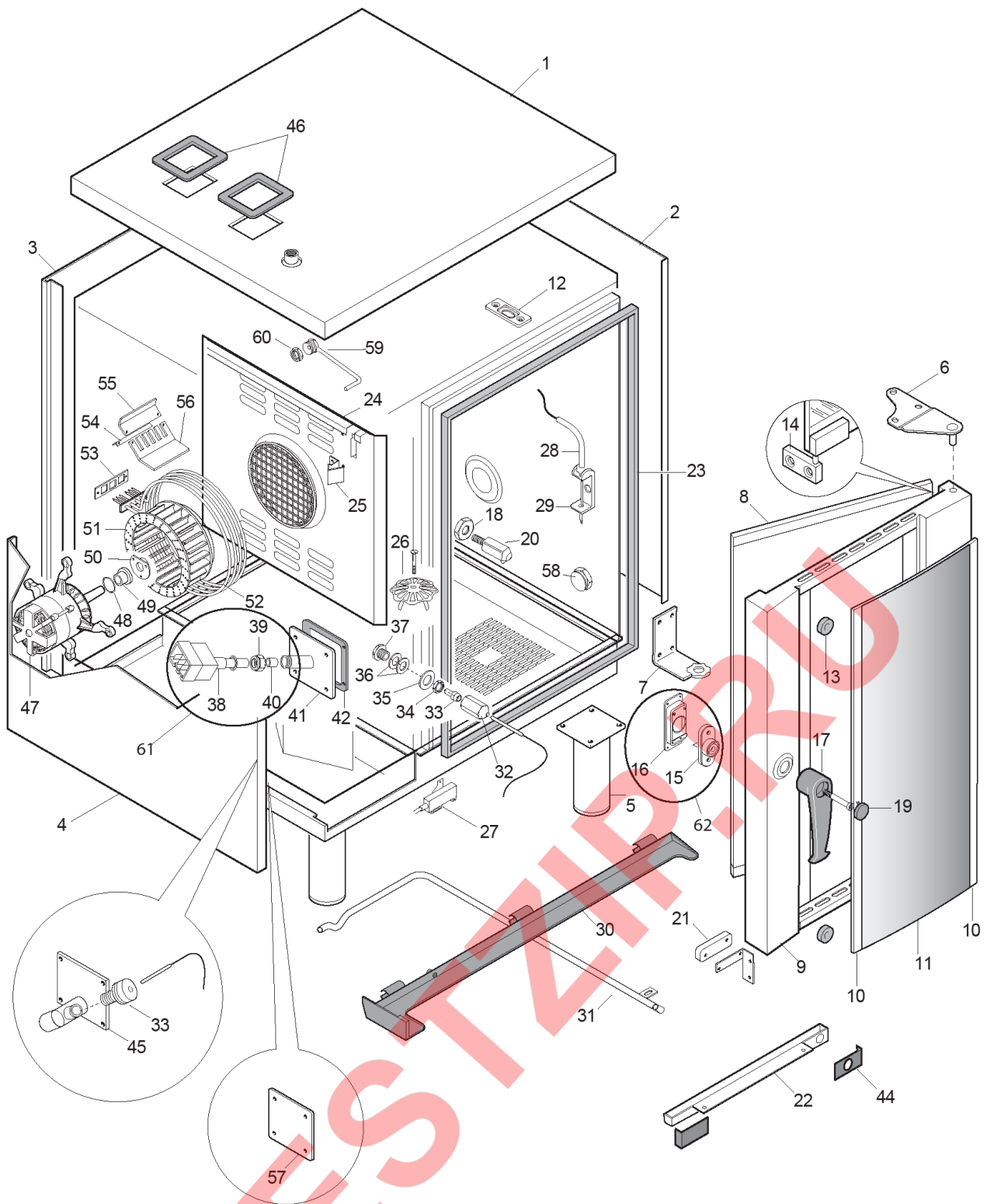
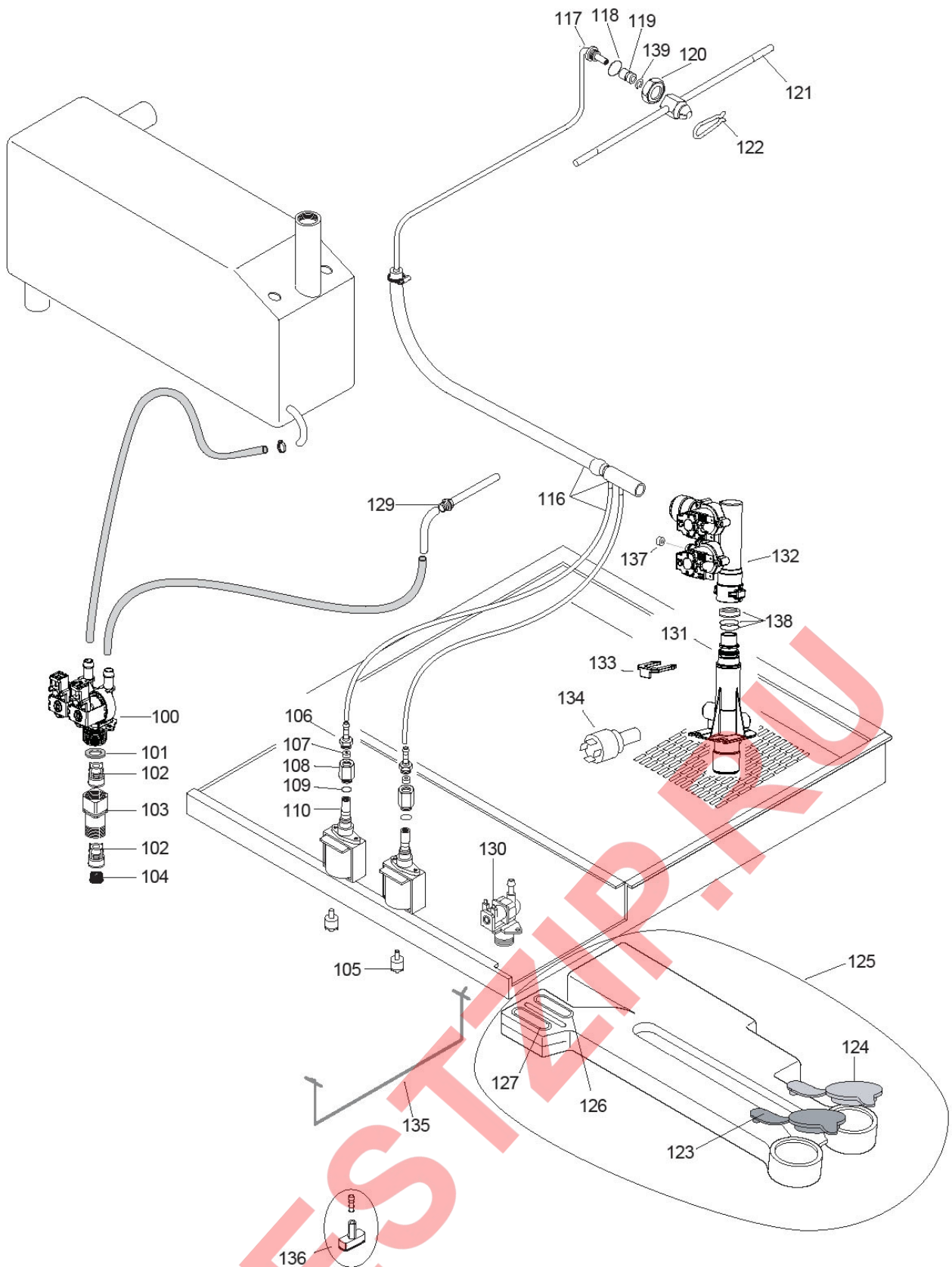


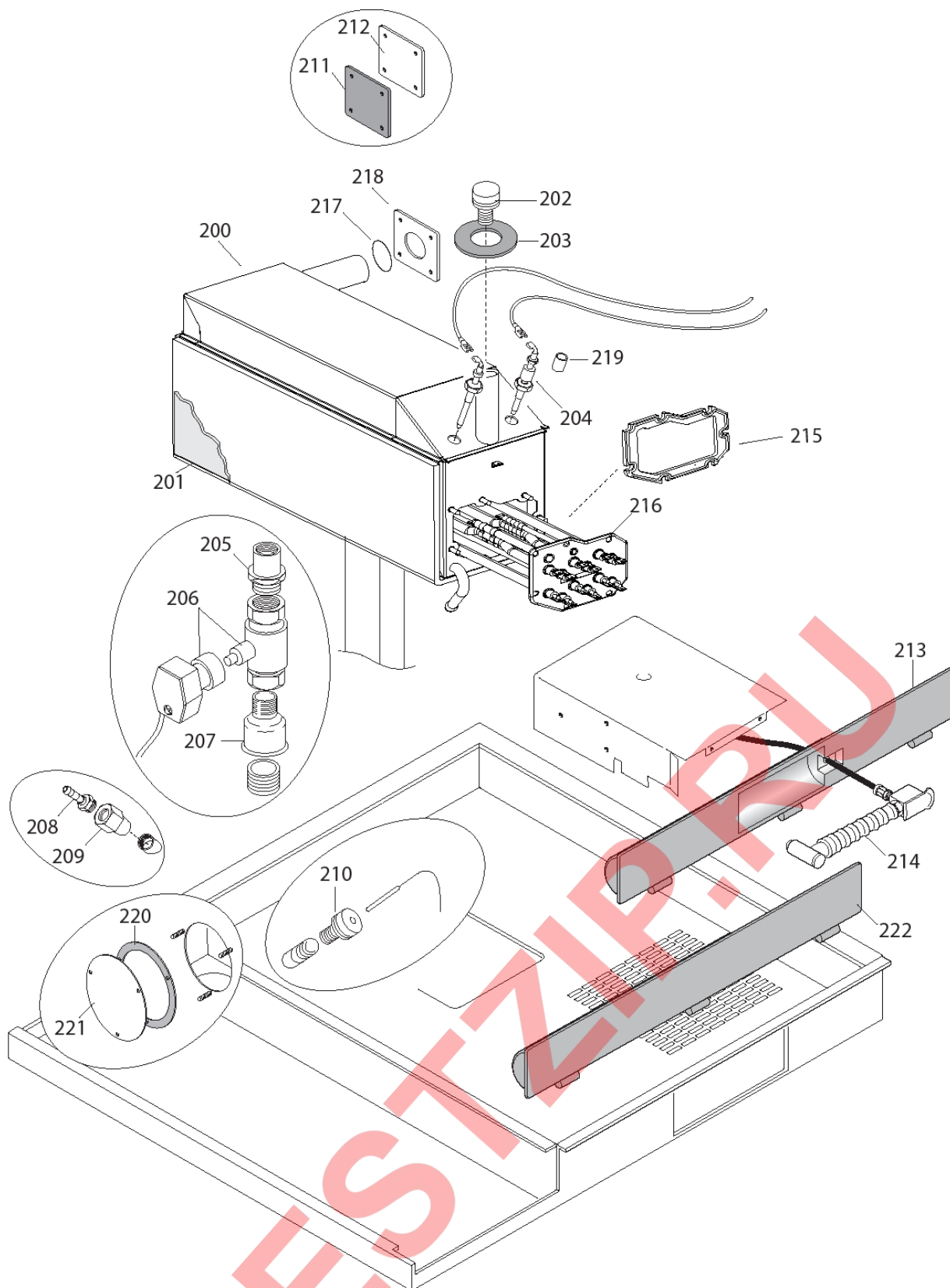
PNC	Model	Ref.	Group	Level	Page	NOTES
237000	FCZ061EAA	a	FCZ	Level A	2...12	400V 3N 50hz
237010	FCZ061EAH	b	FCZ	Level A	2...12	400V 3N 50Hz P80
237020	FCZ061EAN	c	FCZ	Level A	2...12	230V 3N
238000	FCZ061EBA	d	FCZ	Level B	2...12	400V 3N 50hz
238010	FCZ061EBH	e	FCZ	Level B	2...12	400V 3N 50Hz P80
238020	FCZ061EBN	f	FCZ	Level B	2...12	230V 3N
238030	FCZ061EBC	g	FCZ	Level B	2...12	200V 3 60Hz Japan
239000	FCZ061ECA	h	FCZ	Level C	2...12	400V 3N 50hz
239010	FCZ061ECH	m	FCZ	Level C	2...12	400V 3N 50Hz P80 model
239020	FCZ061ECN	n	FCZ	Level C	2...12	230V 3N
267000	AOS061EAA1	o	AOS	Level A	2...12	400V 3N 50hz
267010	AOS061EAH1	p	AOS	Level A	2...12	400V 3N 50Hz P80 model
267020	AOS061EAN1	q	AOS	Level A	2...12	230V 3N
267030	AOS061EAC1	r	AOS	Level A	2...12	200V 3 60Hz Japan
267040	AOS061EAE1	s	AOS	Level A	2...12	440V 3 Marine
267050	AOS061EAF1	t	AOS	Level A	2...12	400V 3 Marine
267080	AOS061EAM1	u	AOS	Level A	2...12	208V 3 USA
267090	AOS061EAB1	v	AOS	Level A	2...12	240V 3 USA
267100	AOS061EAK1	z	AOS	Level A	2...12	400V 3N UK version
267110	AOS061EAT1	A	AOS	Level A	2...12	400V - 3N China
268000	AOS061EBA1	B	AOS	Level B	2...12	400V 3N 50hz
268010	AOS061EBH1	C	AOS	Level B	2...12	400V 3N 50Hz P80 model
268020	AOS061EBN1	D	AOS	Level B	2...12	230V 3N
268030	AOS061EBC1	E	AOS	Level B	2...12	200V 3 60Hz Japan
268040	AOS061EBE1	F	AOS	Level B	2...12	440V 3 Marine
268050	AOS061EBF1	G	AOS	Level B	2...12	400V 3 Marine
268100	AOS061EBK1	H	AOS	Level B	2...12	400V 3N UK version
269000	AOS061ECA1	L	AOS	Level C	2...12	400V 3N 50hz
269010	AOS061ECH1	M	AOS	Level C	2...12	400V 3N 50Hz P80 model
269020	AOS061ECN1	N	AOS	Level C	2...12	230V 3N
269030	AOS061ECC1	O	AOS	Level C	2...12	200V 3N

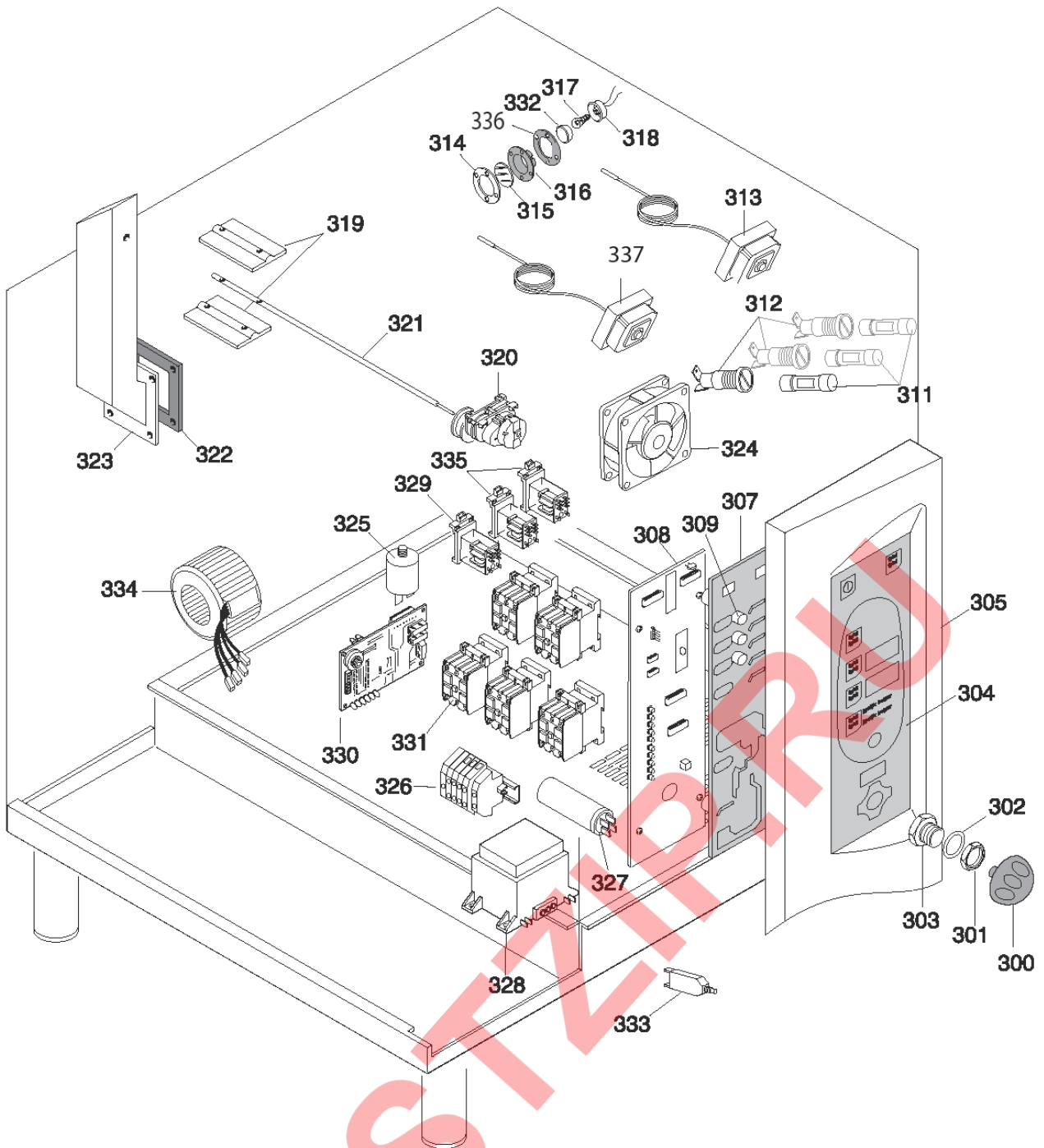
Pag	Index	Indice
2	Oven cabinet and door	Cella forno e porta
3	Water system	Impianto idraulico
4	Boiler	Boiler
5	Electrical components	Componenti elettrici
6	Tray support	Struttura portateglie
7-12	Spare parts list	Lista ricambi

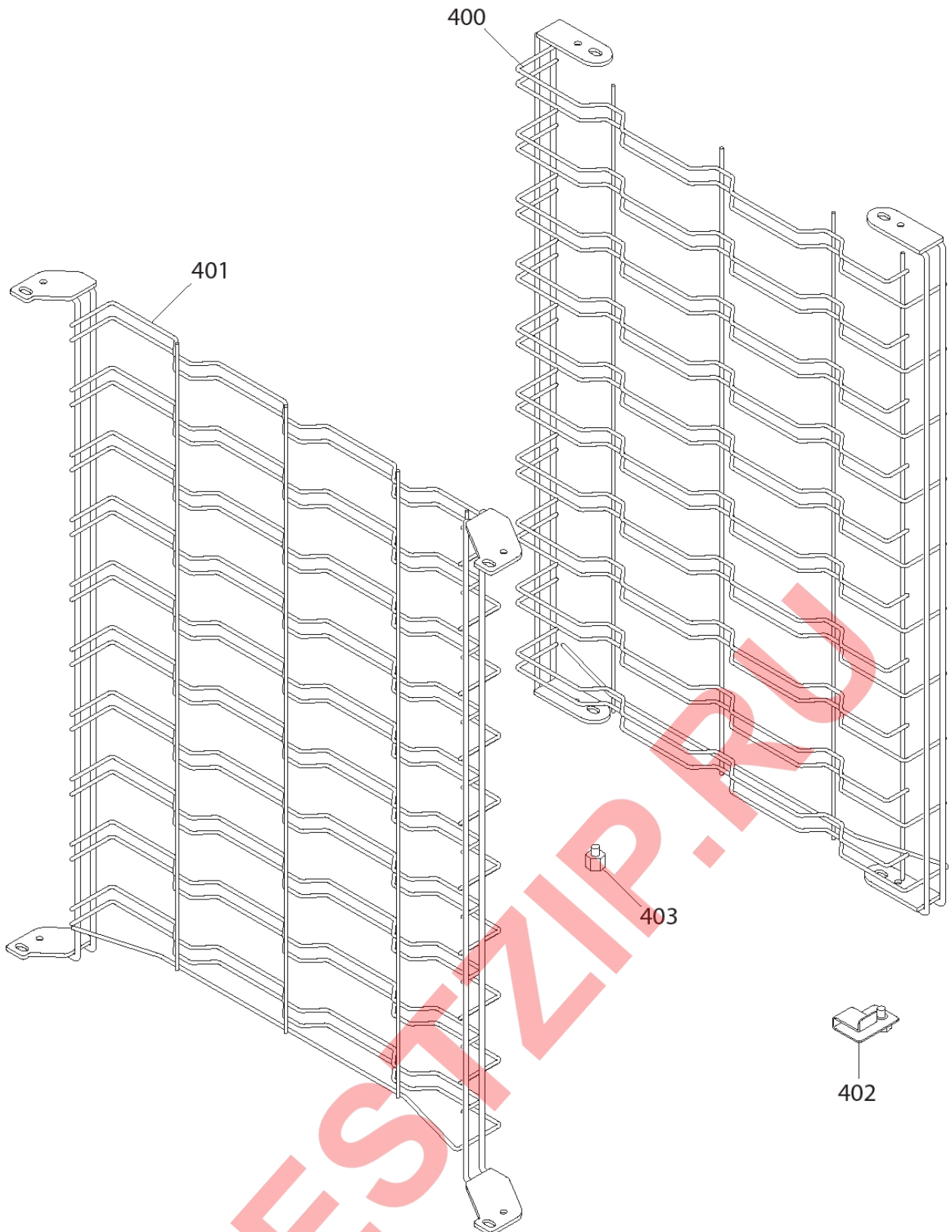
Brand/Marchio: All
 Factory code: 9PDD











06 Gn 1/1 Electric steam - convection oven Forno convezione - vapore elettrico 06 Gn 1/1					
Pos	Factory Code	6DGT Code	Descrizione	Description	Ref./Note
			Pagina 2	Page 2	
1	0530891300	0C6177	COPERCHIO	COVER	
2	0530890800	0C6193	FIANCO DX	RIGHT SIDE PANEL	
3	0530892600	0C6189	SCHIENALE	BACK PANEL	
3	0530893000	0C6193	SCHIENALE	BACK PANEL	For marine models
4	0530893200	0C6195	FIANCO SX	LEFT SIDE PANEL	
5	0831850900	0C4892	PIEDINO	FOOT	
5	0806872300	0C4823	PIEDINO	FOOT	For marine models
6	0806847803	0C4234	CERNIERA SUPERIORE	UPPER HINGE	
7	0806861600	0C4235	CERNIERA INFERIORE	LOWER HIGE	
8	0873869802	0C6395	VETRO INTERNO	INNER GLASS	
9	0878863808	0C4962	PORTA COMPLETA	COMPLETE DOOR	
9	0878876104		PORTA COMPLETA	COMPLETE DOOR	For marine models
-	0518806205	0C6051	MOLLA FERMAVETRO INTERNO	SPRING FOR INTERNAL GLASS	
10	0806859202	0C4478	PROFILO DX-SX	RIGHT AND LEFT TRIM	
11	0574817203	0C4473	VETRO ESTERNO	EXTERNAL GLASS	For group AOS
11	0574818301	0C4942	VETRO ESTERNO	EXTERNAL GLASS	For group FCZ
12	0543839700	0C4088	GUARNIZIONE FLANGIA SPILLONE	GASKET	
13	0543828001	006976	AMMORTIZZATORE	DAMPER	
14	0806822000	007007	CERNIERA VETRO INTERNO	HINGE, INNER GLASS	
15	0835871801	0C4089	GRUPPO CHIUSURA A SCATTO HRS	CLOSING MECHANISM	
16	0510824200	0C4237	SUPPORTO GR. CHIUSURA	SUPPORT	
17	0548871501	0C4090	MANIGLIA CHIUSURA A SCATTO 'HRS'	DOOR HANDLE	
18	0516896401	0C4238	DADO FISSAGGIO	NUT FOR DOOR CATCHER	
19	0546822600	0C4091	TAPPO PER MANIGLIA 'HRS'	DOOR COVER HANDLE	
20	0806859900	0C4092	NASELLO SINGOLO SCATTO	DOOR CATCHER	
21	0699603700	049627	MAGNETE	MAGNET	
22	0528869501	0C4239	VASCHETTA RACC.CONDENSEA PORTA	DOOR DRAIN TRAY	
23	0543833900	0C1496	GUARNIZIONE CELLA-PORTA LW 6	GASKET	
-	0147098067	003926	SIGILLANTE (RED)	RED SEALANT	
24	0831846702	0C4618	PARETE DI ASPIRAZIONE	SUCTION WALL	
25	0518807301	0C3423	MOLLA AGGANCIAMENTO PARETE	SPRING	
26	0518808600	0C1740	FILTRO FONDO	FILTER	
27	0654600000	049621	INTERRUTTORE MAGNETICO	MAGNETIC SWITCH	
28	0831831000	0C4240	SPILLONE CURVO MULTIPOINT	MEAT PROBE MULTIPOINT	For level A
28	0831830700	0C4241	SPILLONE CURVO SINGOLO PUNTO	MEAT PROBE SINGLE POINT	For level B e C
29	0518816600	0C4822	SUPPORTO SPILLONE	MEAT PROBE SUPPORT	
30	0856814000	0C4242	BACINELLA SNODABILE	DRAIN TRAY	
31	0806858800	0C4243	TUBO PER CONDENSEA 1/1	DRAIN TUBE	
32	0516855300	006991	DADO SONDA CELLA	NUT, CAVITY PROBE	
33	0543842600	0C4872	TAPPO PER SENSORE	STOPPER FOR SENSOR	For level A e B
34	0214105101	020997	CONTRODADO PORTAUGELLO	LOCK NUT	
35	0508838701	002700	RONDELLA TENUTA SONDA CELLA	WASHER	
36	0543816300	002624	GUARNIZIONE PER TENUTA SONDA	GASKET	
37	0516809400	002623	RACCORDO SONDA CELLA	CONNECTION, CAVITY PROBE	
38	0830891200	006995	SONDA LAMBDA	LAMBDA PROBE	For level A
39	0214111412	050670	DADO M 20 X 1,5	NUT	For level A
40	0215170716	050682	OGIVA DA 12	OGIVA	For level A
41	0806857201	0C4244	COND. SONDA LAMBDA	FLANGE TUBE	For level A
42	0543838300	0C4093	GUARNIZIONE BYPASS/LAMBDA	GASKET	
44	0543841300	0C4094	GUARN. VASC. CONDENSEA	GASKET	

06 Gn 1/1 Electric steam - convection oven Forno convezione - vapore elettrico 06 Gn 1/1					
Pos	Factory Code	6DGT Code	Descrizione	Description	Ref./Note
45	0806873000	0C6351	CONDOTTO FLANGIATO BYPASS	DUCT, BYPASS PROBE	For level B
46	0543828901	007005	GUARN. CONDOTTO ARIA-COPERCHIO	GASKET, DUCT	
47	0611806001	006998	MOTORE	MOTOR	Level A e B
47	0611809000	0C5287	MOTORE	MOTOR	Level C to S/N 822...
47	0611807300	0C1474	MOTORE	MOTOR	Level C from S/N 823...
48	0543816700	002873	O RING	O RING	For USA models
49	0516808902	002699	CUSCINETTO	BEARING	
50	0538815400	0C4138	FLANGIA FISS.TENUTA MOTORE	FLANGE	
51	0830892400	007000	VENTOLA	FAN	
52	0617400700	0C6500	RESISTENZA (3.2 kW/400V)	HEATING ELEMENT (3.2 kW/400V)	For 400V models
52	0617826300	006986	RESISTENZA (3.2 kW/230V)	HEATING (3.2 kW/230V)	For 230V models
52	0617838800	0C6025	RESISTENZA (3.2 kW/200V)	HEATING ELEMENT (3.2 kW/200V)	For 200V models
52	0617826400	0C0947	RESISTENZA (3.2 kW/440V)	HEATING ELEMENT (3.2 kW/440V)	For 440V models
52	0617829100	0C1476	RESISTENZA (3.2 kW/208V USA)	HEATING ELEMENT (3.2 kW/208V USA)	For 208V USA
52	0617829700	0C1498	RESISTENZA (3.2 kW/240V USA)	HEATING ELEMENT (3.2 kW/240V USA)	For 240V USA
53	0543816501	002689	GUARNIZIONE RESISTENZE CELLA	GASKET, CAVITY HEATING ELEMENT	
54	0527834500	007002	ANGOLARE RESISTENZE	SUPPORT	
55	0503891801	006256	LAMA FISSAGGIO RESISTENZE	SUPPORT	
56	0527834400	007001	SUPPORTO RESISTENZE	SUPPORT	
57	0527898900	0C4857	PIASTRA CHIUSURA	FLANGE	For level C
58	0516892000	0C6296	PERNO SPILLONE	PROBE PIN	
59	0856828300	0C4974	CONDOTTO UMIDIFICATORE	HUMIDIFIER PIPNG	For level C
60	0516887101	0C6228	DADO CONDOTTO	NUT HUMIDIFIER	For level C
61		0C6465	KIT SONDA LAMBDA	LAMBDA KIT	For level A
62	0835872001	0C4477	ASSIEME CHIUSURA PORTA	COMPLETE CLOSING MECH.	
			Pagina 3	Page 3	
100	0696808300	0C5516	ELETTRIVALVOLA	WATER VALVE	For level A e B
-	0544819400	0C5829	TUBO EPDM BLU	BLUE EPDM PIPE	
-	0835872300	0C5385	FASCETTA NORMACLAMP	NORMACLAMP	
101	0543840600	0C4096	GUARNIZIONE FILTRO	GASKET	
102	0549801800	0C2312	VALVOLA NON RITORNO	NOT RE-FLOW VALVE	
103	0516879400	0C2313	RACCORDO ENTRATA ACQUA	PIPE FITTING	For level A e C
105	0831811400	0C1155	ASSIEME FILTRO	FILTER	For level A e C
106	0516896101	0C4198	RACCORDO PORTAGOMMA	PIPE FITTING	For level A e C
107	0544809000	0C1117	VALVOLA NON RITORNO	NOT RE-FLOW VALVE	For level A e C
108	0516871900	0C1116	RACCORDO PER POMPA	PUMP CONNECTION	For level A e C
109	0543832300	0C1935	O RING	O RING	For level A e C
110	0680801201	0C2341	POMPA	PUMP	For level A e C
110	0680801301	0C2342	POMPA	PUMP	For USA models
116	0805400200	0C6202	ASSIEME COLLETTORE LAVAGGIO	CONNECTION, CS	For level A e C
117	0806871100	0C6031	ASS. SUPPORTO GETTO LAVAGGIO	SUPPORT	For level A e C
118	0543841400	0C4201	GUARNIZIONE IN RAME	GASKET	For level A e C
119	0516898301	0C4467	CUSCINETTO GETTO ROTANTE	BEARING	For level A e C
120	0878400900	0C4202	DADO	NUT	For level A e C
121	0806873900	0C5503	GETTO ROTANTE	ROTATING WASHING JET	For level A e C

06 Gn 1/1 Electric steam - convection oven Forno convezione - vapore elettrico 06 Gn 1/1					
Pos	Factory Code	6DGT Code	Descrizione	Description	Ref./Note
122	0518807100	007026	MOLLA	SPRING	For level A e C
123	0544808100	0C1151	TAPPO PER SERBATOIO BLU	BLUE CUP	For level A e C
124	0544808200	0C1152	TAPPO PER SERBATOIO ROSSO	RED CUP	For level A e C
125	0873857102	0C4426	SERBATOIO DETERGENTE-BRIL	TANK	For level A e C
126	0544808900	0C1154	PARATIA PER SERBATOIO ROSSO	RED BULKHEAD	For level A e C
127	0544808400	0C1153	PARATIA PER SERBATOIO BLU	BLUE BULKHEAD	For level A e C
129	0H22982600	007012	TUBO UMIDIFICATORE	HUMIDIFIER PIPE	For level A e B
129	0856828600	0C4977	TUBO UMIDIFICATORE	HUMIDIFIER PIPE	For level C
130	0696808800	0C6170	ELETTROVALVOLA	WATER VALVE	For level B
130	0696808200	0C5515	ELETTROVALVOLA	VALVE	For level C
131	0831857200	0C6370	ASSIEME COLLETTORE LAVAGGIO	CONNECTION, CS	For level A e C
132	0696808600	0C6374	GRUPPO VALVOLE CLEANING	VALVE GROUP C.S.	For level A
132	0696400300	0C6406	GRUPPO VALVOLE CLEANING	VALVE GROUP C.S.	For level A USA
132	0696400100	0C6373	GRUPPO VALVOLE CLEANING	VALVE GROUP C.S.	For level C
133	0546825100	0C6222	FORCELLA SICUREZZA	CLIP	For level A e C
134	0646817200	0C6217	PRESSOSTATO ATTACCO RAPIDO	CONNECTION FOR WASH ARM	For level A e C
135	0513805000	0C5426	STAFFA SUPPORTO SERBATOIO	SUPPORT PLATE	For level A e C
136		0C6467	KIT GANCIO SERBATOIO	KIT TANK HOOK	For level A e C
137		0C6375	KIT PARZIALIZZATORI DI FLUSSO	FLOW REDUCER KIT	For level A e C
138		061303	KIT O-RING +BUSSOLA	O-RING +BUSH KIT	For level A e C
139	0219035015	0C6421	ANELLO ELASTICO	ELASTIC RING	For level A e C
	0831854100	0C5562	TUBO ACQUA WRAS	WATER INLET PIPE WRAS	
	0835870400	0C3464	RIDUTTORE DI PRESSIONE	WATER PRESSURE REDUCER	
			Pagina 4	Page 4	
200	0831854701	0C5848	ASSIEME BOILER	BOILER ASS.Y	For level A e B
200	0831855501	0C5851	ASSIEME BOILER	BOILER ASS.Y	For level A e B UK
201	0569806900	0C5836	KIT ISOLAMENTO	KIT ISOLATION	For level A e B
202	0543816601	002692	TAPPO	STOPPER	For level A e B
203	0543817500	002634	GUARNIZIONE	GASKET	For level A e B
203	0543843201	0C4965	GUARNIZIONE	GASKET	For level C
204	0830890500	007033	SONDA DI LIVELLO	LEVEL PROBE	For level A e B
205	0516809501	007117	RACCORDO	CONNECTION	For level A e B
	0638893101	0C3678	CAVO SONDE DI LIVELLO	LEVEL PROBE CABLE	For level A e B
206	0696804201	0C0882	VALVOLA DI SCARICO 230V	DRAIN VALVE 230V	For level A e B
206	0696808500	0C5518	VALVOLA DI SCARICO 240V	DRAIN VALVE 240V	For level A e B USA
207	0511820300	0C3847	MANICOTTO 1"-3/4"	CONNECTION 1"-3/4"	For level A e B
	0544820300		TUBO SCARICO BOILER	BOILER DRAIN PIPE	For level A e B
	0835874500	0C5549	FASCETTA SCARICO BOILER	CLAMP FOR BOILER DRAIN	For level A e B
208	0516872000	0C1626	RESCA D12 FILETT 1/4' GAS	PIPE CONNECTION	
209	0516879600	0C4099	UGELLO 'ELPIS'1/4'FD3.5-3/8'M	NOZZLE	For level A e B
210	0543842600	0C4872	TAPPO PER SENSORE	STOPPER FOR SENSOR	For level A e B
211	0527898700	0C4856	FLANGIA FORO BOILER	FLANGE	For level C
212	0543842800	0C4963	GUARN. CHIUSURA FORO BOILER	GASKET	For level C
213	0546815103	0C4532	PANNELLO FRONTALE INFERIORE	PANEL	For level A
213	0546815103	0C4532	PANNELLO FRONTALE INFERIORE	PANEL	For level B P80 models
214	0873881200	0C4248	DOCCETTA	SHOWER	For level A
214	0873881200	0C4248	DOCCETTA	SHOWER	For level B P80 models
215	0543844800	0C5834	GUARNIZIONE BOILER	GASKET BOILER	For level A e B
216	617824101	007030	RESISTENZA BOILER (9 Kw/400V)	HEAT. ELEMENT, BOILER (9 Kw/400V)	For 400V models Up to 2009/11
216	617836300	0C5839	RESISTENZA BOILER (9	HEAT. ELEMENT, BOILER	For 400V models

06 Gn 1/1 Electric steam - convection oven Forno convezione - vapore elettrico 06 Gn 1/1					
Pos	Factory Code	6DGT Code	Descrizione	Description	Ref./Note
216	0617836800	0C6023	Kw/400V) RESISTENZA BOILER (9 Kw/200V)	(9 Kw/400V) HEAT. ELEMENT, BOILER (9 Kw/200V)	From 2009/12 For 200V models
216	617826600	007032	RESISTENZA BOILER (9 Kw/230V)	HEAT. ELEMENT, BOILER (9 Kw/230V)	For 230V models Up to 2009/11
216	617837300	0C5842	RESISTENZA BOILER (9 Kw/230V)	HEAT. ELEMENT, BOILER (9 Kw/230V)	For 230V models From 2009/12
216	617826700	0C0948	RESISTENZA BOILER (9 Kw/440V)	HEAT. ELEMENT, BOILER (9 Kw/440V)	For 440V models Up to 2009/11
216	617838200	0C5845	RESISTENZA BOILER (9 Kw/440V)	HEAT. ELEMENT, BOILER (9 Kw/440V)	For 440V models From 2009/12
216	617828800	0C1475	RESISTENZA BOILER (9 Kw/208V USA)	HEAT. ELEMENT, BOILER (9 Kw/208V USA)	For 208V USA models - Up to 2008/24
216	617837000	0C5820	RESISTENZA BOILER (9 Kw/208V USA)	HEAT. ELEMENT, BOILER (9 Kw/208V USA)	For 208V USA models - From 2008/25
216	617829400	0C1497	RESISTENZA BOILER (9 Kw/240V USA)	HEAT. ELEMENT, BOILER (9 Kw/240V USA)	For 240V USA models - Up to 2008/24
216	617837600	0C5823	RESISTENZA BOILER (9 Kw/240V USA)	HEAT. ELEMENT, BOILER (9 Kw/240V USA)	For 240V USA models - From 2008/25
217	0527898600	002874	OR BOILER	OR BOILER	For level A e B
218	0527898600	0C4821	FLANGIA BOILER	FLANGE, BOILER	For level A e B
219	0515857001	055347	DISTANZIALE PER SONDA L=9	SPACER	For level A e B
220	0543839600	0C3442	GUARNIZIONE PORTELLO	GASKET	For level A
221	0J89061403	0C3443	PORTELLO ISPEZIONE	INSPECTION COVER	For level A
222	0546821401		PANNELLO FRONTALE INFERIORE	PANEL	For level C e B
			Page 5	Page 5	
300	0806874001	0C5600	MANOPOLA	HANDLE	
301	0214114900	051263	CONTRODADO	LOCK NUT	
302	0508836400	002727	RONDELLA	DISK	
303	0516807301	002662	BOCCOLA	BUSH	
304	0675838204	0C5614	MEMBRANA LIV. A AOS MODELS	LAYER LEV. A AOS MODELS	for Level A AOS Group
304	0675854900	0C4947	MEMBRANA LIV. A FCZ MODELS	LAYER LEV. A FCZ MODELS	for Level A FCZ Group
304	0675838902	007058	MEMBRANA LIV. B AOS MODELS	LAYER LEV. B AOS MODELS	for Level B AOS Group
304	0675855001	0C4948	MEMBRANA LIV. B FCZ MODELS	LAYER LEV. B FCZ MODELS	for Level B FCZ Group
304	0675854800	0C5067	MEMBRANA LIV. C AOS MODELS	LAYER LEV. C AOS MODELS	for Level C AOS Group
304	0675855102	0C4949	MEMBRANA LIV. C FCZ MODELS	LAYER LEV. C FCZ MODELS	for Level C FCZ Group
305	873879301	0C4249	CRUSCOTTO LIV. A (NO MEMBRANA)	CONTROL PANEL LEV. A (NO LAYER)	for Level A AOS Group
305	873895302	0C4898	CRUSCOTTO LIV. A (NO MEMBRANA)	CONTROL PANEL LEV. A (NO LAYER)	for Level A FCZ Group
305	873880100	0C4250	CRUSCOTTO LIV. B (NO MEMBRANA)	CONTROL PANEL LEV. B (NO LAYER)	for Level B AOS Group
305	873895402	0C4899	CRUSCOTTO LIV. B (NO MEMBRANA)	CONTROL PANEL LEV. B (NO LAYER)	for Level B FCZ Group
305	873894000	0C4893	CRUSCOTTO LIV. C (NO	CONTROL PANEL LEV. C (NO	for Level C AOS

06 Gn 1/1 Electric steam - convection oven					
Forno convezione - vapore elettrico 06 Gn 1/1					
Pos	Factory Code	6DGT Code	Descrizione	Description	Ref./Note
305	873895502	0C4900	MEMBRANA) CRUSCOTTO LIV. C (NO MEMBRANA)	LAYER) CONTROL PANEL LEV. C (NO LAYER)	Group for Level C FCZ Group
	0831844900	0C4930	FILTRO ARIA CRUSCOTTO	AIR FILTER CONTROL PANEL	
307	0675837902	0C0043	SCHEDA USER INTERFACE LIV. A	USER INTERFACE BOARD, LEV. A	for Level A
307	0675859701	0C6160	SCHEDA USER INTERFACE LIV. A	USER INTERFACE BOARD, LEV. A	for Level A China e Japan models
307	0675838802	0C0041	SCHEDA USER INTERFACE LIV. B	USER INTERFACE BOARD, LEV. B	for Level B
307	0675854600	0C4891	SCHEDA USER INTERFACE LIV. C	USER INTERFACE BOARD, LEV. C	for Level C
308	0675837808	0C0042	SCHEDA POWER COP20 LIV. A	POWER BOARD	
308	0675859201	0C6159	SCHEDA POWER COP20 J	POWER BOARD	g, r, A, E
-	0546814001	0C3750	DISTANZIALE ARCHETTO NYLON	SPACER NYLON	
309	0546824600	0C5833	PROLUNGA PULSANTE	PROLONG	
311	0652800901	058771	FUSIBILE RAPIDO 6.30 A	FUSE FAST 6.3 A	
311	0652805100	0C2230	FUSIBILE RAPIDO 6.30x3.2 A	FUSE FAST 6.3x3.2 A	For Marine models
311	0652805200	0C2236	FUSE RAPIDO 1.6A	FUSE FAST 1.6A	For 200V Japan models
311	0652803900	0C2301	FUSIBILE OMEGA 800MA	FUSE OMEGA 800MA	
311	0652804900	0C3650	FUSIBILE 3,15A	FUSE 3,15A	For Marine models
311	0652803300	0C1480	FUSIBILE OMEGA 5X20 6,3A T	FUSE OMEGA 5X20 6,3A T	For USA models
311	0652803100	0C6034	FUSIBILE OMEGA 5X20 1,6A T	FUSE OMEGA 5X20 1,6A T	For 200V Japan models
312	0652802100	0F0031	PORTAFUSIBILE	FUSE HOLDER	
312	0652804800	0C2228	PORTAFUSIBILE	FUSE HOLDER	For Marine models
313	0646812200	007042	LIMITATORE, CELLA	LIMITER, CAVITY	
313	0646810802	006314	LIMITATORE, CELLA	LIMITER, CAVITY	For USA models
314	0508840801	002628	FLANGIA	FLANGE	
315	0574804900	002627	VETRO	GLASS	
316	0543842000	002626	GUARNIZIONE	GASKET	
317	0660808300	0C4396	LAMPADA ALOGENA	HALOGEN LAMP	
318	0660806401	007055	PORTALAMPADA	LAMP HOLDER	
319	0508896801	007081	FARFALLA	CLOSER	
320	0680802300	0C5501	MOTORIDUTTORE	MOTOREDCER	
320	0680802400	0C5502	MOTORIDUTTORE	MOTOREDCER	For USA models
321	0856832702	0C5525	ASTINA PER CONDUTTO ARIA		
322	0543828600	007053	GUARNIZIONE	GASKET	
323	0831855100	0C5527	CONDOTTO ARIA	DUCT, AIR	
324	0624811000	0C4106	VENTILATORE	FAN	
325	0694605400	049303	FILTRO ANTIDISTURBO	FILTER	Not for Marine and USA
326	0639805201	058875	MORSETTIERA	TERMINAL BOARD	
326	0639808700	0C0041	MORSETTIERA	TERMINAL BOARD	For USA models
326	0639813100	0C6028	MORSETTIERA	TERMINAL BOARD	For China and Japan models
327	0694604400	047541	CONDENSATORE 12.5 Mf	CAPACITOR 12.5 MF	For level A e B, not for USA models
327	0694806000	0C5526	CONDENSATORE DA 8 MF	CAPACITOR 8 MF	For level C
328	0624400100	0C6400	TRASFORMATORE	TRANSFORMER	
328	0624807100	007046	TRASFORMATORE	TRANSFORMER	For 200V Japan models
328	0624807700	0C0949	TRASFORMATORE	TRANSFORMER	For marine models
329	0648803001	058557	RELE'	RELE'	For level A e B
329	0648722900	088267	RELE'	RELE'	For level A USA
330	0624807002	007047	ALIMENTATORE SWITCHING	SWITCHING FEEDER	For level A
331	0648807300	088477	CONTATTORE K3-10A	CONTACTOR K3-10A	
331	0648807400	006879	CONTATTORE K3-18A	CONTACTOR K3-18A	For 200V, 208V, 230V, 240V

06 Gn 1/1 Electric steam - convection oven Forno convezione - vapore elettrico 06 Gn 1/1					
Pos	Factory Code	6DGT Code	Descrizione	Description	Ref./Note
332	0509803900	0C4459	RIFLETTORE	REFLECTOR	
333	0648805200	0F0045	TERMICO	THERMIC	For Marine models
334	0624807901	0C0886	TRASFORMATORE	TRANSFORMER	For USA models
335	0648802601	056466	RELE'	RELE'	For level A USA
336	0543843500	0C5451	GUARNIZIONE	GASKET	
337	0646814900	0C2983	LIMITATORE, BOILER	LIMITER, BOILER	For level A e B
			Pagina 6	Page 6	
400	0831850400	0C5018	PORTATEGLIE DX P60	TRAY SUPPORT DX P60	
400	0831852402	0C1568	PORTATEGLIE DX P80	TRAY SUPPORT DX P80	For P80 models
401	0831850500	0C5019	PORTATEGLIE SX P60	TRAY SUPPORT SX P60	
401	0831852302	0C1567	PORTATEGLIE SX P80	TRAY SUPPORT SX P80	For P80 models
402	0806872800	0C4961	SUPPORTO CON S.G.	SUPPORT S.G.	
403	0511828100	0C5620	SUPPORTO	SUPPORT	
			SONDE DI TEMPERATURA	TEMPERATURE PROBES	
	0830898901	0C6538	SONDA CELLA 500mm ROSSA	CAVITY PROBE 500mm RED	
	0830899001	0C0325	SONDA BOILER 800mm AZZURRA	BOILER PROBE 800mm BLUE	For level A e B
	0830899101	0C6539	SONDA BYPASS 1100mm BIANCA	BYPASS PROBE 1100mm WHITE	For level A e B

BESTZIP.RU