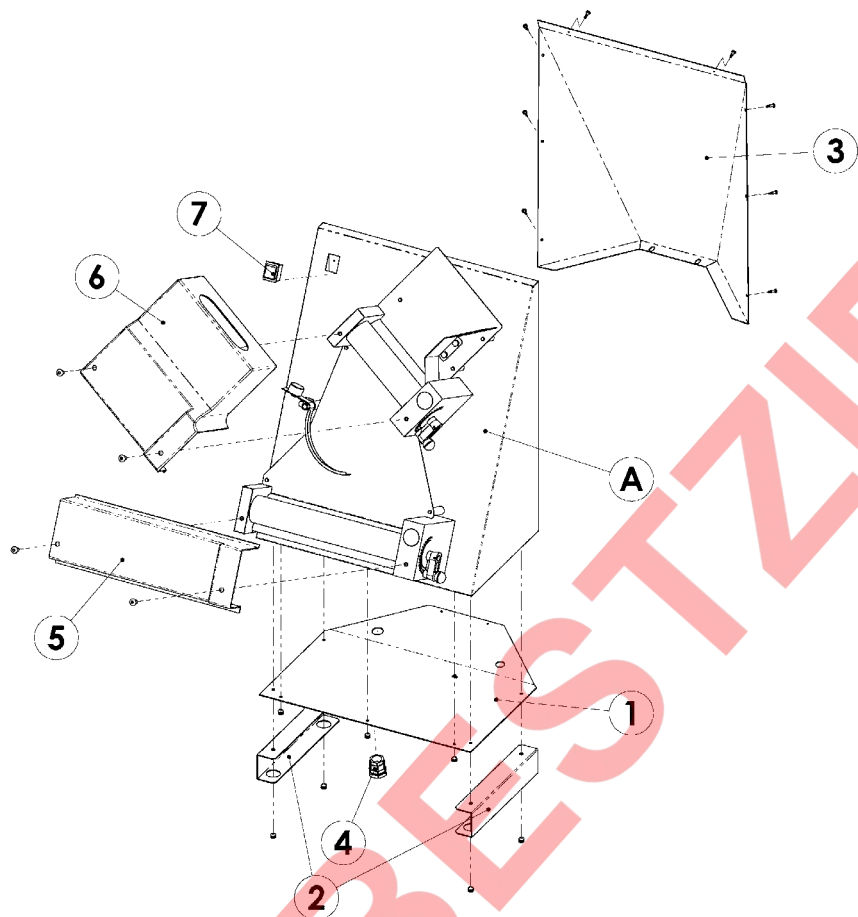
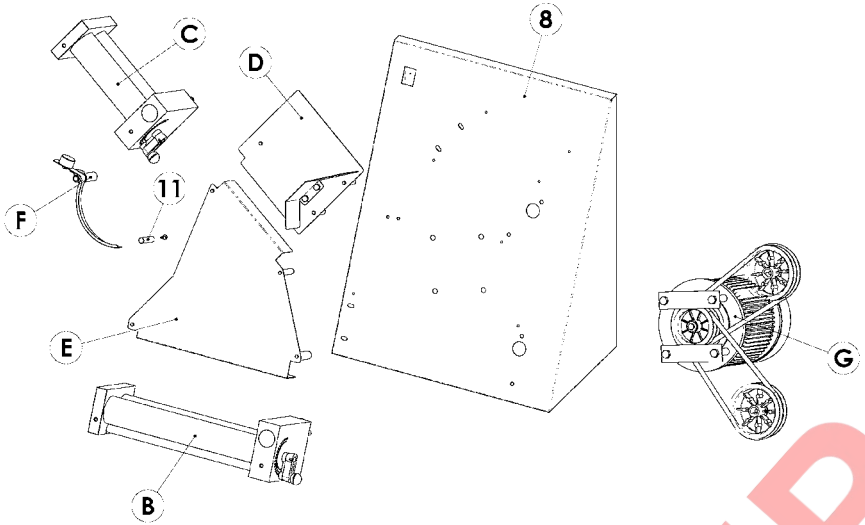
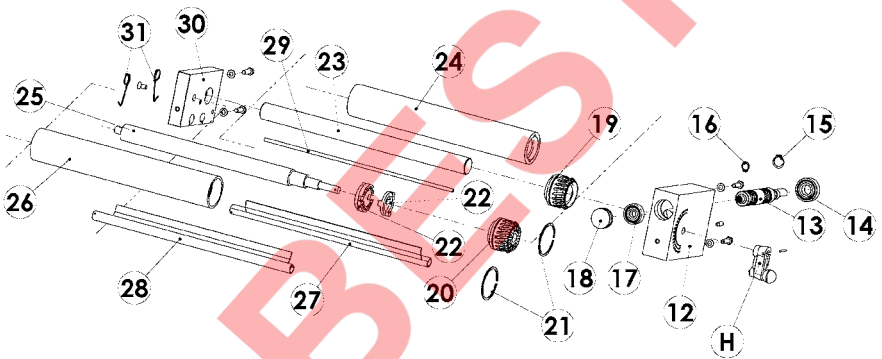


Spare parts

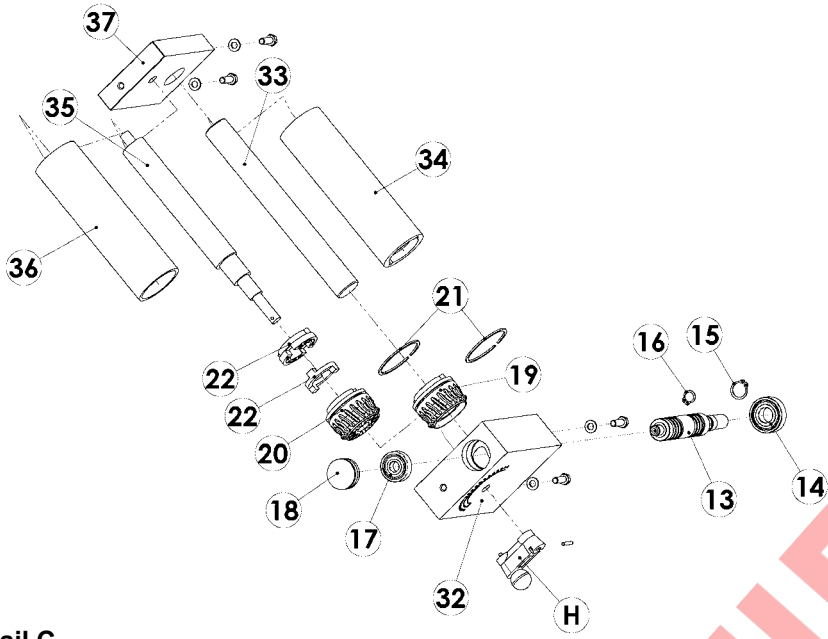




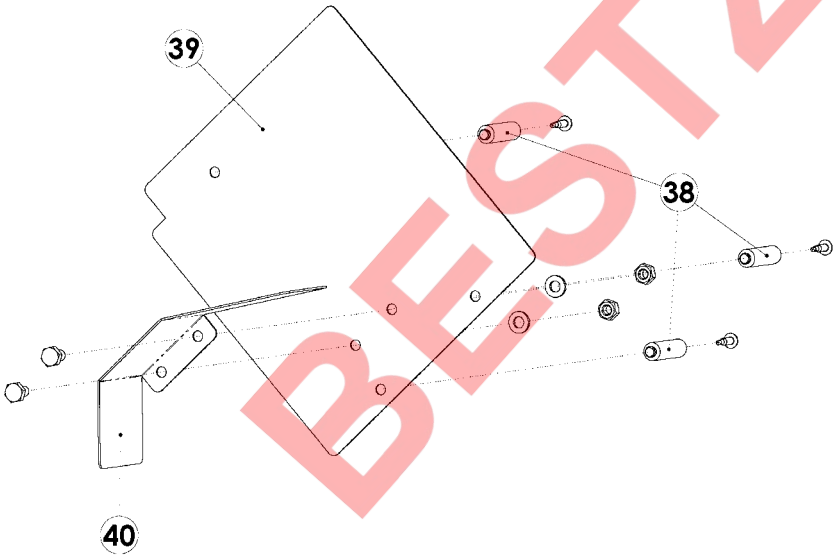
Detail A



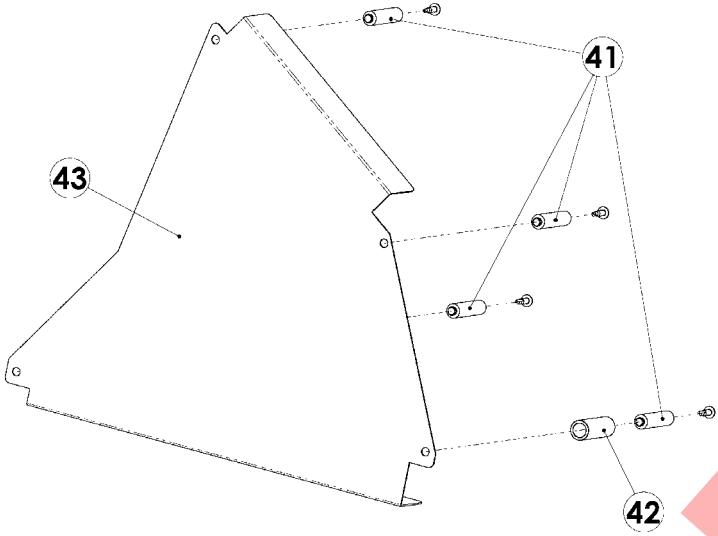
Detail B



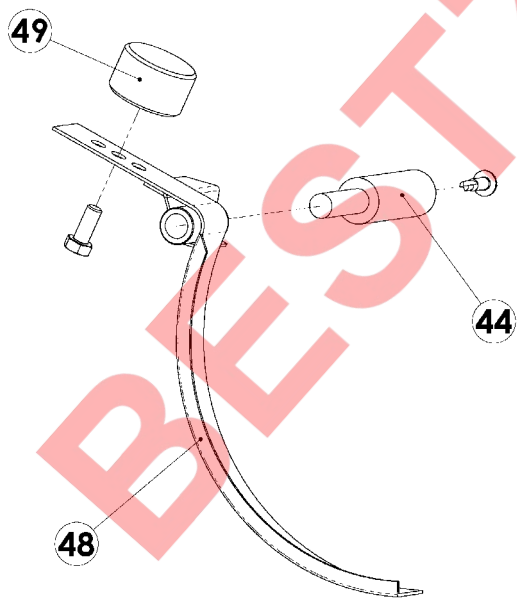
Detail C



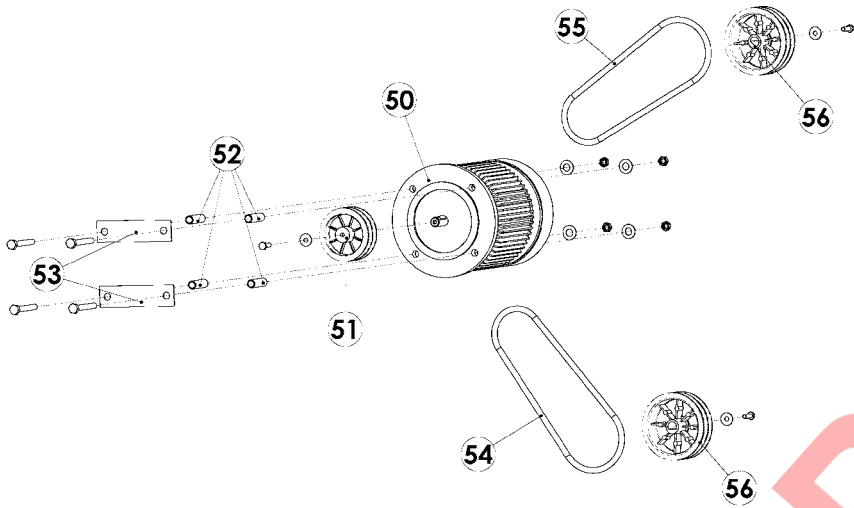
Detail D



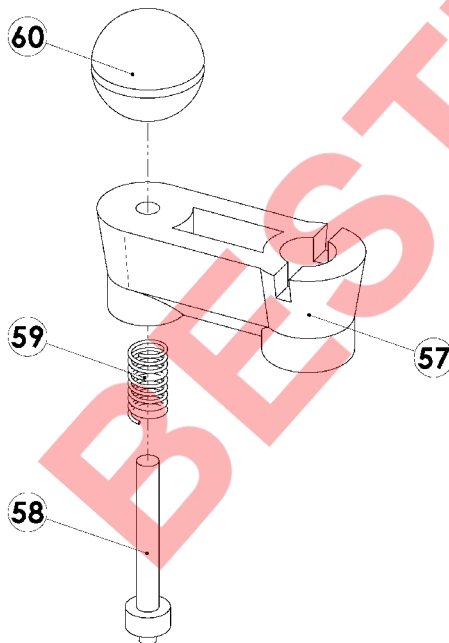
Detail E



Detail F



Detail G



Detail H

MODEL	P30AE	P40AE
POSITION No.	CODE	CODE
1	4104090	4104110
2	4100240	4100210
3	4104200	4104230
4	5581000	5581000
5	4100070	4100450
6	4100060	4100400
7	5320020+5320040	5320020+5320040
8	4100560	4100570
9		
10		
11	3002180	3002180
12	3004200	3004200
13	3503800	3503800
14	5093100	5093100
15	5203200	5203200
16	5203100	5203100
17	5093000	5093000
18	4660010	4660010
19	3203511	3203511
20	3203411	3203411
21	5003010	5003010
22	4203250	4203250
23	3004100	3003350
24	3003900	3003950
25	3004000	3004050
26	3003800	3003850
27	4001010	4001030
28	4001020	4001040
29	3100400	3100500
30	3004300	3004300
31	4000500	4000500
32	3003400	3003400
33	3003300	3004150
34	3003100	3003150
35	3003200	3003250
36	3003000	3003050
37	3003410	3003410
38	3002460	3002460
39	4050120	4050150
40	4050300	4050300
41	3002470	3002470
42	3002700	3002700
43	4050220	4050250
44	3002150	3002150
45		
46		
47		
48	3004500	3004550
49	3004600	3004650
50	5420200	5420300
51	3150080	3150080
52	3002400	3002400
53	3050810	3050810
54	5070200	5070010
55	5070200	5070010
56	3150030	3150030
57	4660000	4660000
58	3003700	3003700
59	5163010	5163010
60	5873100	5873100