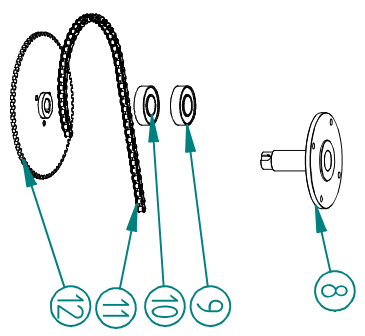
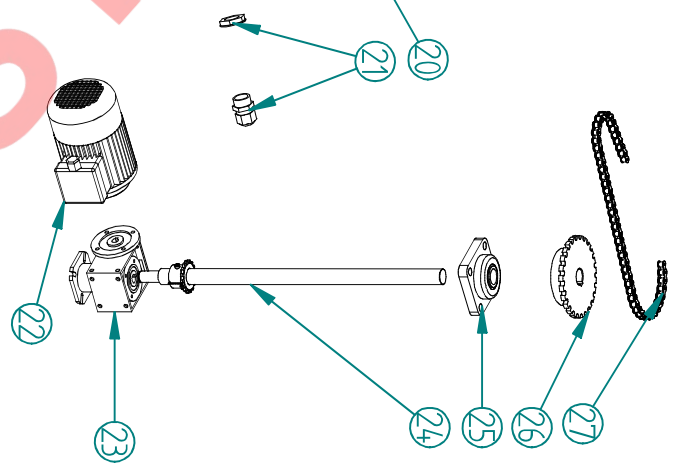
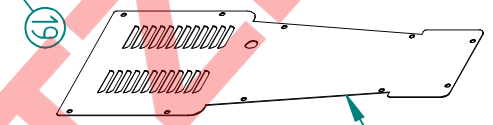
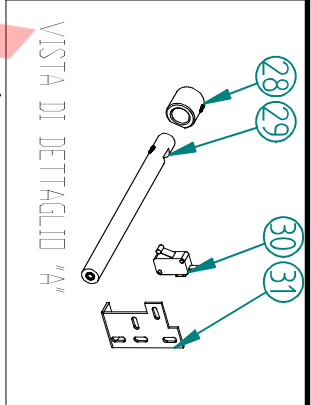
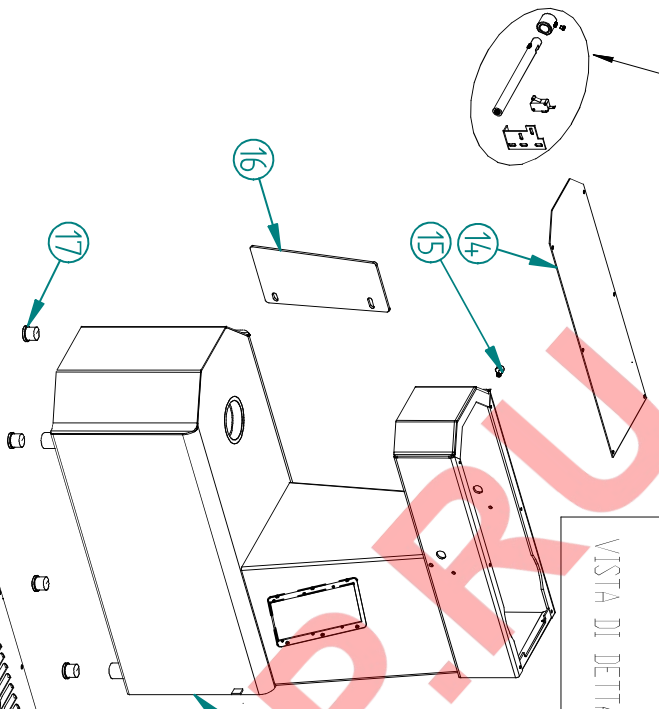
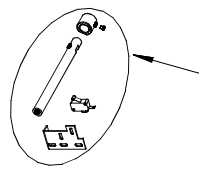
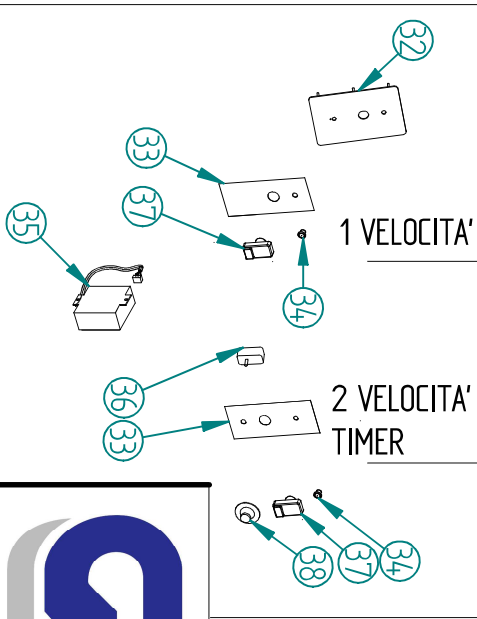


VEDI DETTAGLIO A



VERSIONE ANALOGICA/ANALOGIC VERSION



VERSIONE DIGITALE/DIGITAL VERSION



TITOLO IMPASTATRICE S 16/20

CODICE:

DISEGNATO: D.G

DATA:

NUMERO	CODICE	DESCRIZIONE	QUANTITA'	PREZZO NETTO
1	RG101015	PIGNONE SPIRALE Z17x1/2 foro 17	1	€ 14,25
2	RG101055	CUSCINETTO 6303 2RS	2	€ 5,50
3	RG102042	SUPPORTO UNIV. GHISA D120 TS/TSV16/20	1	€ 37,00
4	RG101995	LAMIERA SPIRALE COPRIASOLE IMP TS16/20	1	€ 6,00
5	RG101054	ASTA SPACCAPASTA IMP S/L/TS 16/20	1	€ 21,00
6	RG101484	SPIRALE IMPASTATRICE S/TS 16/20	1	€ 144,60
7	RG101044	VASCA IMPASTATRICE S/L16 320X210	1	€ 133,50
7	RG101018	VASCA IMPASTATRICE S/L20 360X210	1	€ 157,00
8	RG103080	PIASTRA SUPP. VASCA S/L UNIVERSALE	1	€ 61,60
9	RG100829	CUSCINETTO 6206 2RS	1	€ 6,60
10	RG100823	CUSCINETTO 6206 ZZ	1	€ 6,00
11	RG101026	CATENA VASCA S/L 16/20 3/8 119 P.+ G.	1	€ 15,00
12	RG103077	MOZZO SVAS.+CORONA ALB. VASCA Z75 x 3/8	1	€ 50,00
13	RG102719	COPERCHIO FILO IMP S/TS 16	1	€ 63,90
13	RG101736	COPERCHIO FILO IMP S/TS 20	1	€ 67,35
14	RG103085	CHIUSURA TESTATA IMP. S16/20 CON LOGO	1	€ 13,20
15	RG102452	ECCENTRICO PER COPERCHIO IMP. C/S	2	€ 7,14
16	RG101022	PROTEZIONE LATERALE PLX S/L16	1	€ 6,00
16	RG101041	PROTEZIONE LATERALE PLX S20	1	€ 9,00
17	RG100828	PIEDINO IN PLASTICA D25	4	€ 1,50
18	RG102871	CARPENTERIA IMP S16/20 modello 2008	1	€ 137,60
19	RG102859	FONDELLO BASAMENTO IMP. S/TS 16/20	1	€ 15,00
20	RG102858	CHIUSURA POSTERIORE IMP. C/S 16/20	1	€ 13,60
21	RG100038	PRESSACAVO M20x1,5	1	€ 5,00
21	RG100830	GHIERA PER PRESSACAVO M20X1,5	1	
22	RG102626	MOTORE M80 MN 240V B14 kW 0,75 4P	1	€ 206,70
22	RG101077	MOTORE 80 TR 400V B14 kW 0,75	1	€ 122,25
22	RG101082	MOTORE D80 TR 400V B14 kW 0,75/1,1	1	€ 260,80
23	RG102807	ASS. RIDUTTORE NMRV 050+FLANGIA FA	1	€ 136,50
24	RGA00459	ASS. ALBERO GENERALE IMP 20 (battuta 44)	1	€ 34,80
25	RG100831	SUPPORTO UCF 205 D. 25	1	€ 12,00
26	RG101012	PIGNONE SUP. ALBERO GEN. Z31x1/2 foro 25	1	€ 26,50
27	RG101150	CATENA SPIRALE S/L 16/40/50 1/2 63,5 P+G	1	€ 14,70
27	RG100928	CATENA SPIRALE S/L 20 1/2 61P.+G.	1	€ 12,00
28	RG100796	CAMME DI REGOLAZIONE COPERCHIO S	1	€ 6,60
29	RG101021	ASTA COPERCHIO IMP S16/20	1	€ 12,00
30	RG100198	MICROINTERRUTTORE DI SICUREZZA	1	€ 18,00
31	RG100855	SUPPORTO MICRO IMPASTATRICE S	1	€ 7,80
32	RG103214	MOSTRINA A VISTA CENTRALINA IMP UNIVERS.	1	€ 8,00
32	RG103215	MOSTRINA A VISTA CON INTER. IMP UNIVERS.	1	€ 8,00
33	RG100827	MOSTRINA ADESIVA 2 FORI	1	€ 10,80
33	RG101097	MOSTRINA ADESIVA 3 FORI	1	€ 10,80
34	RG100895	SEGNALATORE LUMINOSO	1	€ 4,20
35	RG100897	CENTRALINA MN PER IMPASTATRICE	1	€ 93,00
35	RG100890	CENTRALINA TR PER IMPASTATRICE	1	€ 106,00
35	RG100896	CENTRALINA TR IMPASTATRICE 2 VEL.	1	€ 163,00
36	RG100833	TEMPORIZZATORE G30M 2C 5025	1	€ 45,00
37	RG100894	PULSANTE DOPPIO ON/OFF CON CONTATTI	1	€ 24,80
37	RG102846	PULSANTE 2 VEL (1/OFF/2)	1	€ 25,80
38	RG100834+RG100835	MANOPOLA M55B 6X4,6 X TIMER IMPA+DISCO MANOPOLA 30 MIN	1	€ 7,00
39	RG101872	FUNGO EMERGENZA DI SICUREZZA	1	€ 19,50
40	RGA00469	ASS. CENTRALINA MN IMP. S DIGITALE	1	€ 133,00
40	RGA00470	ASS. CENTRALINA TR IMP. S DIGITALE+TIMER	1	€ 136
41	RG108449	CENTRALINA TR 2 V PER CENTRALINA DIG.	1	€ 116,00
42	RG108450	PULSANTIERA DIGITALE 2 V	1	€ 98,00

NUMBER	CODE	DESCRIPTION	QUANTITY	NET PRICE
1	RG101015	Spiral tooth gear Z17x1/2 foro 17	1	€ 14,25
2	RG101055	Bearing 6303 2RS	2	€ 5,50
3	RG102042	Universal cast iron mounting D120 for dough mixers TS/TSV16/20	1	€ 37,00
4	RG101995	Covering buttonholes sheet for dough mixer IMP TS16/20	1	€ 6,00
5	RG101054	Dough breaker IMP S/L/TS 16/20	1	€ 21,00
6	RG101484	Spiral IMPASTATRICE S/TS 16/20	1	€ 144,60
7	RG101044	Bowl S/L16 320X210	1	€ 133,50
7	RG101018	Bowl S/L20 360X210	1	€ 157,00
8	RG103080	Universal mounting plate for bowl S/L	1	€ 61,60
9	RG100829	Bearing 6206 2RS	1	€ 6,60
10	RG100823	Bearing 6206 ZZ	1	€ 6,00
11	RG101026	Bowl chain S/L 16/20 3/8 119 P.+ G.	1	€ 15,00
12	RG103077	Hub+ Gear rim Z75 x 3/8	1	€ 50,00
13	RG102719	Lid Dough Mixer S/TS 16	1	€ 63,90
13	RG101736	Lid Dough Mixer S/TS 20	1	€ 67,35
14	RG103085	Upper plate for dough mixer. S16/20 with LOGO	1	€ 13,20
15	RG102452	Eccentry pulley for lid for dough mixer C/S	2	€ 7,14
16	RG101022	Side plate PLX S/L16	1	€ 6,00
16	RG101041	Side plate PLX S20	1	€ 9,00
17	RG100828	Plastic foot D25	4	€ 1,50
18	RG102871	Frame dough mixer S 16/20	1	€ 137,60
19	RG102859	Bottom plate for dough mixer S/TS 16/20	1	€ 15,00
20	RG102858	Rear plate for dough mixer C/S 16/20	1	€ 13,60
21	RG100038	Cable holder M20x1,5	1	€ 5,00
21	RG100830	Cable holder bracer M20X1,5	1	
22	RG102626	Engine M80 MN 240V B14 kW 0,75 4P	1	€ 206,70
22	RG101077	Engine 80 TR 400V B14 kW 0,75	1	€ 122,25
22	RG101082	Engine D80 TR 400V B14 kW 0,75/1,1	1	€ 260,80
23	RG102807	Assembly reducer NMRV 050+flange FA	1	€ 136,50
24	RGA00459	Lower drive shaft for dough mixer S 20 (battuta 44)	1	€ 34,80
25	RG100831	Mounting UCF 205 D. 25	1	€ 12,00
26	RG101012	Universal upper tooth gear Z31x1/2 hole 25	1	€ 26,50
27	RG101150	Spiral chain S/L 16/40/50 1/2 63,5 P+G	1	€ 14,70
27	RG100928	Spiral chain S/L 20 1/2 61P.+G.	1	€ 12,00
28	RG100796	Lid regulation cam for dough mixer S	1	€ 6,60
29	RG101021	Pin for dough mixer S16/20 lid	1	€ 12,00
30	RG100198	Safety microswitch	1	€ 18,00
31	RG100855	Micro mounting foot for dough mixer S	1	€ 7,80
32	RG103214	Universal cover for digital dough mixer	1	€ 8,00
32	RG103215	Universal cover for analogic dough mixer	1	€ 8,00
33	RG100827	Adhesive tab 2 holes	1	€ 10,80
33	RG101097	Adhesive tab 3 holes	1	€ 10,80
34	RG100895	Bright indicator	1	€ 4,20
35	RG100897	Control unit single phase	1	€ 93,00
35	RG100890	Control unit threephase	1	€ 106,00
35	RG100896	Control unit threephase 2 speed	1	€ 163,00
36	RG100833	Timer G30M 2C 5025	1	€ 45,00
37	RG100894	Push button on/off and contacts	1	€ 24,80
37	RG102846	Push button 2 speed (1/OFF/2)	1	€ 25,80
38	RG100834+RG100835	Timer knob M55B 6X4,6 X + knob disc 30 MIN	1	€ 7,00
39	RG101872	Emergency safety switch	1	€ 19,50
40	RGA00469	Assembly control unit dough mixer S digital single phase	1	€ 133,00
40	RGA00470	Assembly control unit dough mixer S digital three phase + timer	1	€ 136
41	RG108449	Control unit threephase 2 speed for digital	1	€ 116,00
42	RG108450	Digital button box 2 speed	1	€ 98,00